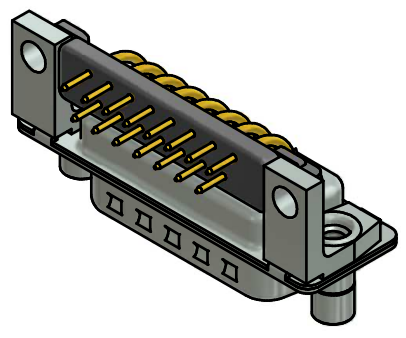


NOTES:

- METAL SHELLS: STEEL; min. 315µm TIN over 40-80µm NICKEL
- INSULATORS: PBT GF UL 94 V-0; BLACK
- CONTACTS: COPPER ALLOY; PLATING (SEE PART-NO.):
 PLEASE ADD A for GOLD FLASH over NICKEL (PREFERRED TYPE)
 PLEASE ADD B for 20µm HARD GOLD over min. 50µm NICKEL
 PLEASE ADD C for 30µm HARD GOLD over min. 50µm NICKEL
- METAL BRACKETS: ZINC DIE CAST; 300µm COPPER/40-120µm NICKEL/120-200µm TIN
- THREADED LOCKS: COPPER ALLOY; min. 200µm TIN over 80µm NICKEL
- FIXING-PLATE: PBT GF UL 94 V-0; BLACK
- MAXIMUM TORQUE VALUE FOR THREAD: 6 in.LB
- CONNECTOR IS PART MARKED: 163□16569X CONEC ABC (see note 3)



RoHS compliant

THIS DRAWING MAY NOT BE COPIED OR REPRODUCED IN ANY WAY, AND MAY NOT BE PASSED ON TO A THIRD PARTY WITHOUT WRITTEN PERMISSION. OWNERSHIP AND COPYRIGHT OF CONEC GmbH DO NOT ALTER CAD DRAWING BY HAND	tolerance		dim. in mm		scale: 2:1 (5:1)	
					material: SEE NOTES	
			date		title:	
			name		D-SUB MALE 90°	
			drawn 30.09.15 Unkrüer		15pos. SOLDER PIN ANGLED 0.318inch threaded lock and metal bracket	
		appd. 01.10.15 Lehmenkühler		dwg no:		
		norm		16K1A3721		
		d-old 16K1IMUA/16K1A1185		DIN-A3		
1 x b		Ä 5843 05.10.15 LU.		sh: 1		
a		Original		part no: 163□16569X (see note 3)		
rev. description		date name		CONEC®		