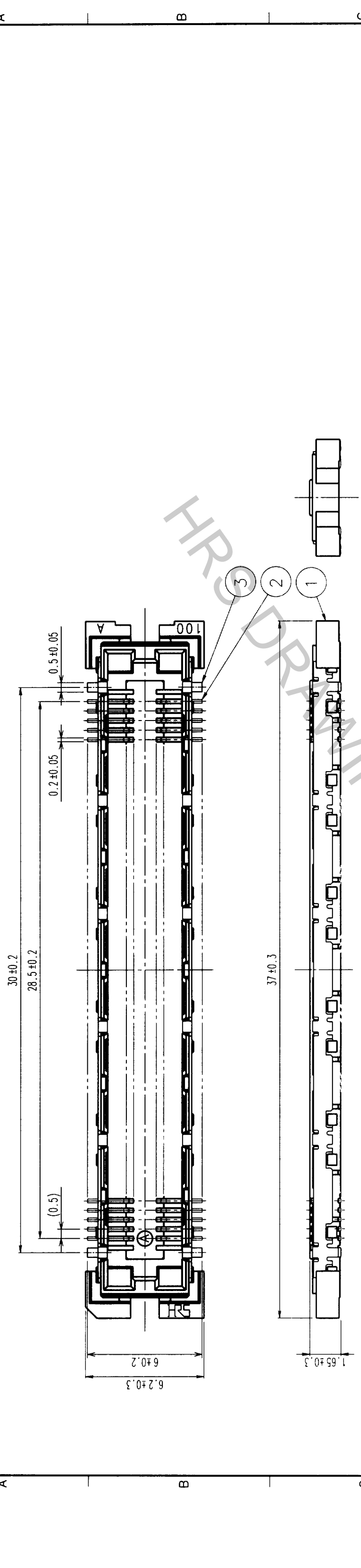
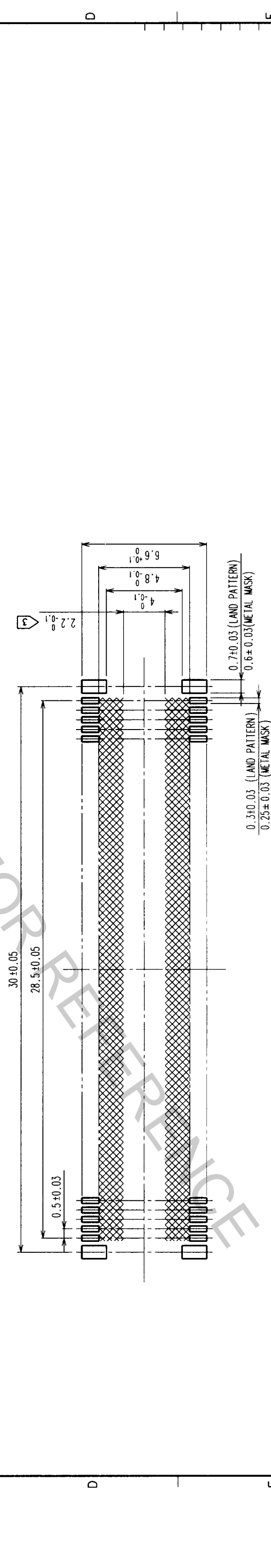


COUNT	DESCRIPTION OF REVISIONS	BY	CHKD	DATE	COUNT	DESCRIPTION OF REVISIONS	BY	CHKD	DATE
△					△				
△					△				
△					△				



RECOMMENDED LAND PATTERN DIMENSION OF PCB



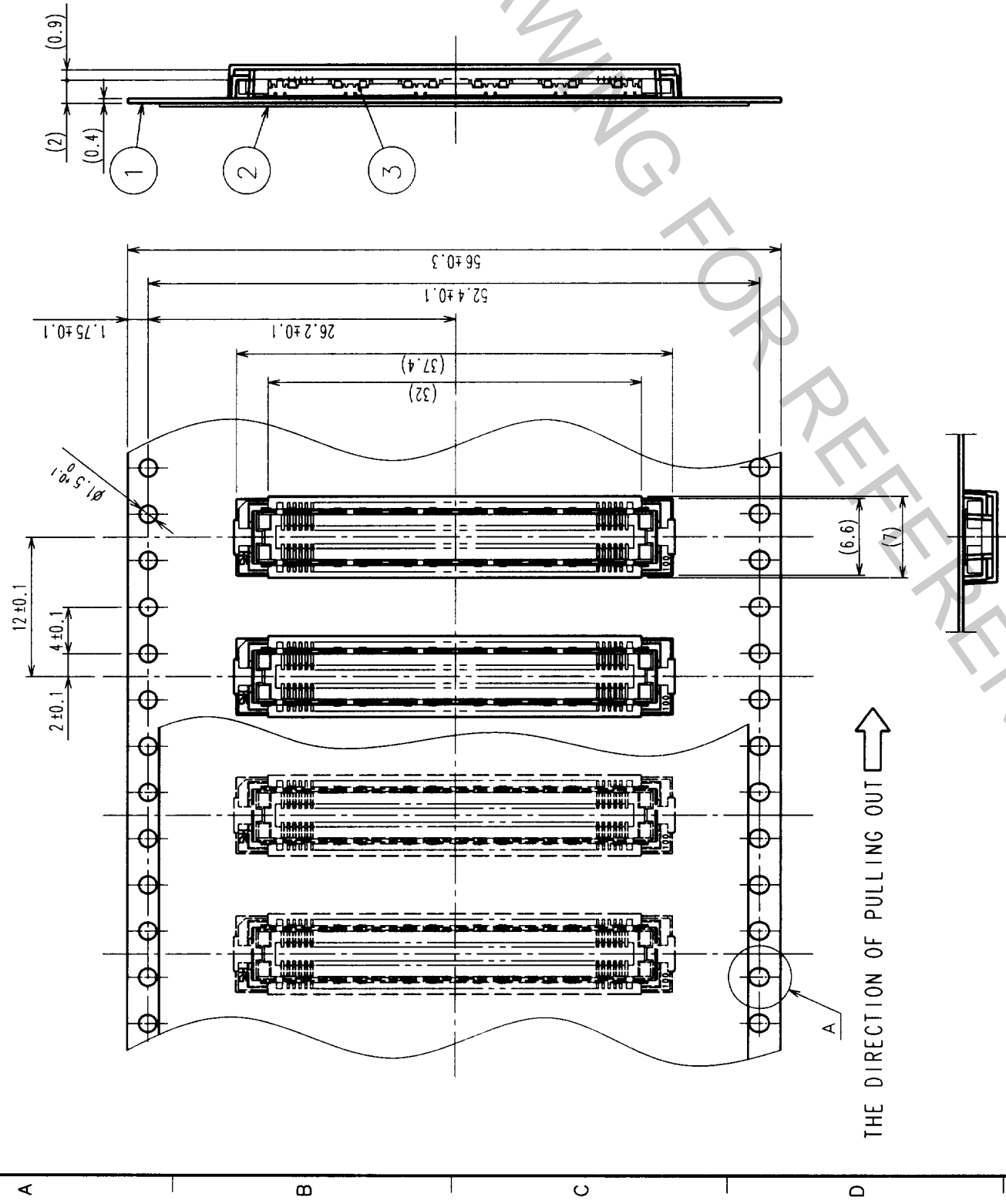
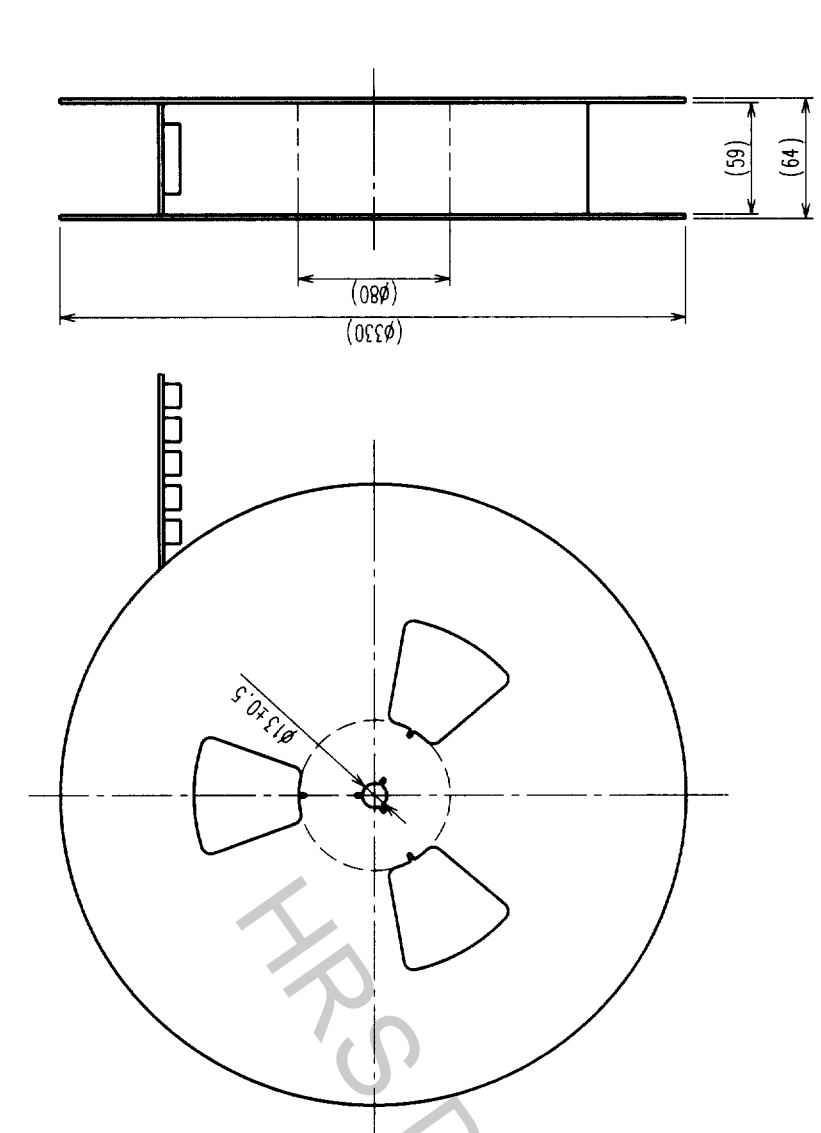
- 1 SMT LEAD-COPLANARITY: 0.1 MAX.
- 2 THIS PRODUCT HAS NO POLARITY TO PATTERN FOR MOUNTING.
- 3 MAKE SURE WIDTH OF PATTERN IS WITHIN THAT OF LAND .OR LEAD MAY TOUCH PATTERN. (THIS APPLIES TO HATCHED AREA.)
- 4 TO BE EMBOSSED CARRIER TAPED AS SPECIFIED IN SHEET 2.

2	PHOSPHOR BRONZE	CONTACT AREA: GOLD (0.1μm) OVER NICKEL LEAD: GOLD FLASH OVER NICKEL
1	LCP	BEIGE UL94V-0
NO.	MATERIAL	FINISH, REMARKS
CL	(OLD)	
DRAWN		DESIGNED
CL		Checked
		APPROVED
		RELEASED
DRAWING NO.		PART NO.
EDC3-152122-01		FX11LB-116S-SV (21)
SCALE		
5 : 1		
UNITS		
mm		
HRS HIROSE ELECTRIC CO.,LTD.		CODE NO.
		CL573-0154-5-21
		1/2

TO PCK

NO.	DESCRIPTION OF REVISIONS	BY	CHKD	DATE	COUNT	DESCRIPTION OF REVISIONS	BY	CHKD	DATE
1					1				
2					1				
3					1				

REELED DIMENSION (Free)



THE DIRECTION OF PULLING OUT

A (5:1)

- NOTES 1 1 REEL : 1000 CONNECTORS.
- 2 MINIMUM 10 COMPARTMENTS FROM BOTH REEL ENDS REMAIN EMPTY.
- 3 THIS PRODUCT HAS NO POLARITY TO TAPE AND REEL PACKAGING.

TOP COVER TAPE		DRAWN		DESIGNED		CHECKED		APPROVED		RELEASED	
NO.	PET	MATERIAL	FINISH, REMARKS	NO.	MATERIAL	NO.	MATERIAL	NO.	MATERIAL	NO.	MATERIAL
2	PET			3	(CONNECTOR)						
1	PS										
CODE NO. (OLD)		CODE NO. (NEW)		NO.		NO.		NO.		NO.	
CL		CL		77-10-25		77-10-25		77-10-25		77-10-25	
DRAWING FOR PACKING		DRAWING FOR PACKING		77-10-25		77-10-25		77-10-25		77-10-25	
DRAWING NO.		DRAWING NO.		PART NO.		PART NO.		PART NO.		PART NO.	
EDC3-152122-01		EDC3-152122-01		FX11LB-116S-SV(21)		FX11LB-116S-SV(21)		FX11LB-116S-SV(21)		FX11LB-116S-SV(21)	
SCALE		SCALE		CODE NO.		CODE NO.		CODE NO.		CODE NO.	
2 : 1		2 : 1		CL573-0154-5-21		CL573-0154-5-21		CL573-0154-5-21		CL573-0154-5-21	
UNITS		UNITS		mm		mm		mm		mm	
				HIROSE ELECTRIC CO., LTD		HIROSE ELECTRIC CO., LTD		HIROSE ELECTRIC CO., LTD		HIROSE ELECTRIC CO., LTD	

TO	
PCK	