

6

5

4

3

2

1

E

E

D

D

C

C

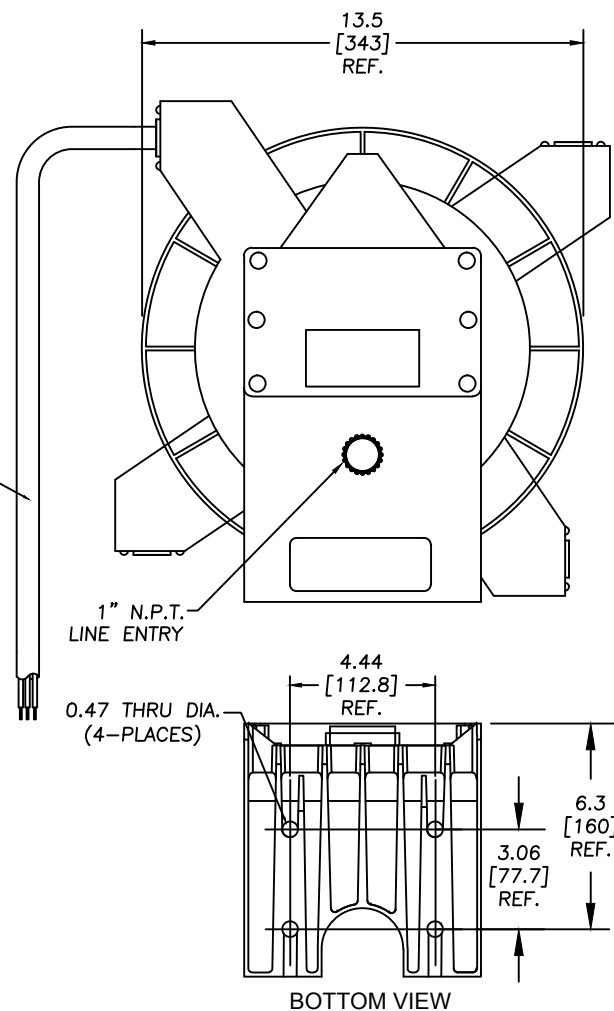
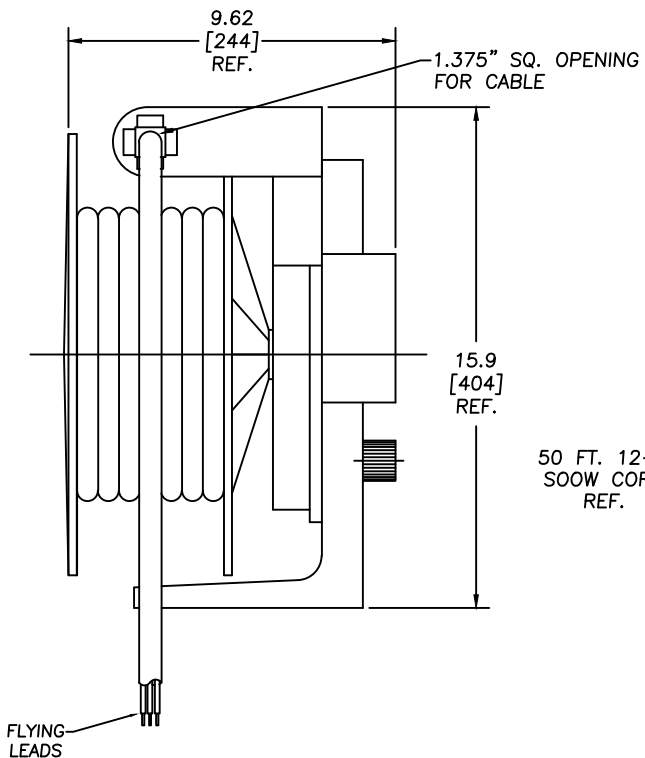
B

B

A

A

ORDER NO.	130083-0232
WOODHEAD ENG. NO.	92433
WIRE GAUGE	12
CONDUCTORS	3
AMPERAGE	18A
CORD LENGTH	50 FT [15,24 M]
CORD TYPE	SOOW
CONSTRUCTION	HEAVY WALL CAST ALUMINUM
PAINT	YELLOW POWDER COAT
REEL ENCLOSURE RATING	NEMA 4 INDOOR / OUTDOOR
RETRACTION WEIGHT	4.0 LB [1.8 KG]



NOTES:

- CABLE GUIDE IS ADJUSTABLE EVERY 5 DEGREES OVER 270 DEGREE ARC.
- RATCHET LOCK IS EASY TO DISENGAGE FOR CONSTANT TENSION.
- REEL CANNOT BE "LOCKED OUT" AT FULL TENSION.
- REEL IS TRUCK MOUNTABLE.
- BALL STOP IS OPTIONAL: ORDER NO. 130226-4374 / WOODHEAD ENG. NO. 9521

RELEASE DRAWING EC NO: WNA2012-0035 DRWN: MCHOJECK 2011/07/18 CHKD: DT APPR: DTITUS 2011/09/02 REV A	DESCRIPTION QUALITY SYMBOLS $\nabla=0$ $\sphericalangle=0$	GENERAL TOLERANCES (UNLESS SPECIFIED) <table border="1"> <thead> <tr> <th></th> <th>mm</th> <th>INCH</th> </tr> </thead> <tbody> <tr> <td>4 PLACES</td> <td>±---</td> <td>±---</td> </tr> <tr> <td>3 PLACES</td> <td>±---</td> <td>±.005</td> </tr> <tr> <td>2 PLACES</td> <td>±0.13</td> <td>±.010</td> </tr> <tr> <td>1 PLACE</td> <td>±0.25</td> <td>±.020</td> </tr> </tbody> </table>		mm	INCH	4 PLACES	±---	±---	3 PLACES	±---	±.005	2 PLACES	±0.13	±.010	1 PLACE	±0.25	±.020	DIMENSION STYLE IN/MM DRAWN BY DATE MCHOJECK 2011/07/18 CHECKED BY DATE DT 2011/07/18 APPROVED BY DATE DTITUS 2011/09/02	SCALE NTS DESIGN UNITS INCH THIRD ANGLE PROJECTION	TITLE CABLE REEL INDUSTRIAL DUTY W/ 50' 12-3 CORD MOLEX INCORPORATED DOCUMENT NO. SD-130083-038 SHEET NO. 1 OF 1
		mm	INCH																	
	4 PLACES	±---	±---																	
	3 PLACES	±---	±.005																	
2 PLACES	±0.13	±.010																		
1 PLACE	±0.25	±.020																		
DRAFT WHERE APPLICABLE MUST REMAIN WITHIN DIMENSIONS		MATERIAL NO. 1300830232	THIS DRAWING CONTAINS INFORMATION THAT IS PROPRIETARY TO MOLEX INCORPORATED AND SHOULD NOT BE USED WITHOUT WRITTEN PERMISSION																	