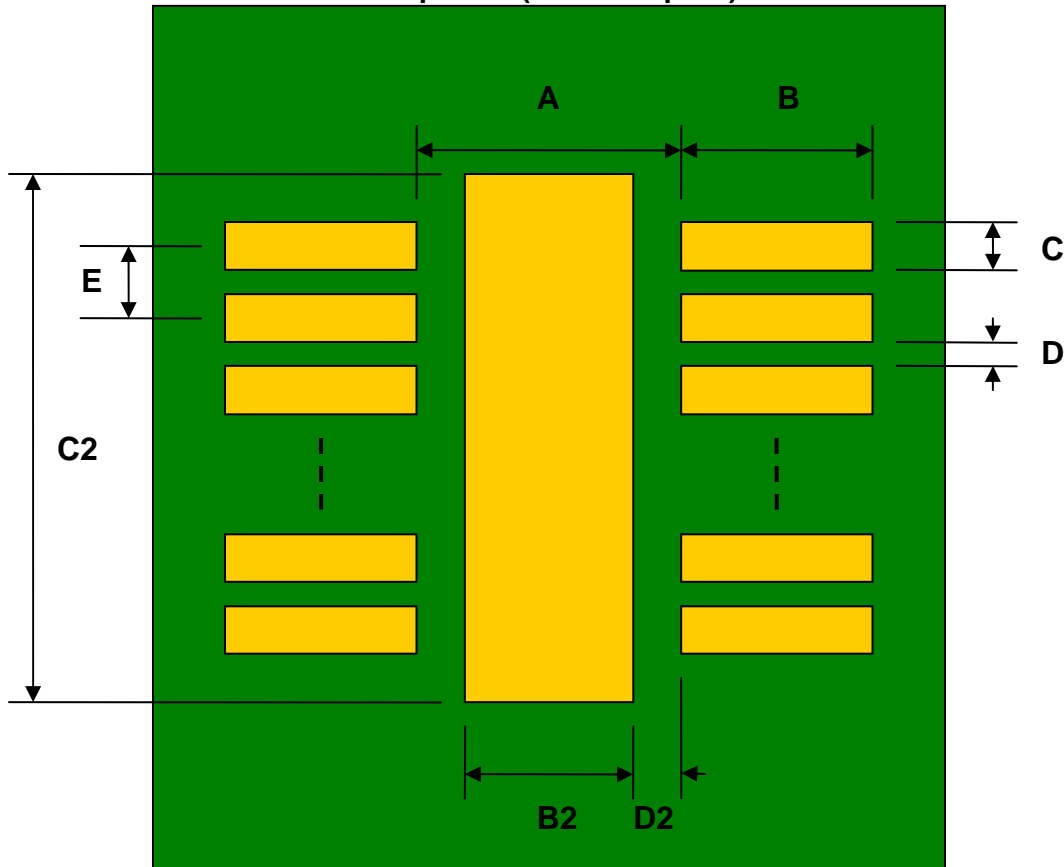


DFN-14 to DIP-18 SMT Adapter (0.4 mm pitch, 3.0 x 3.0 mm body)

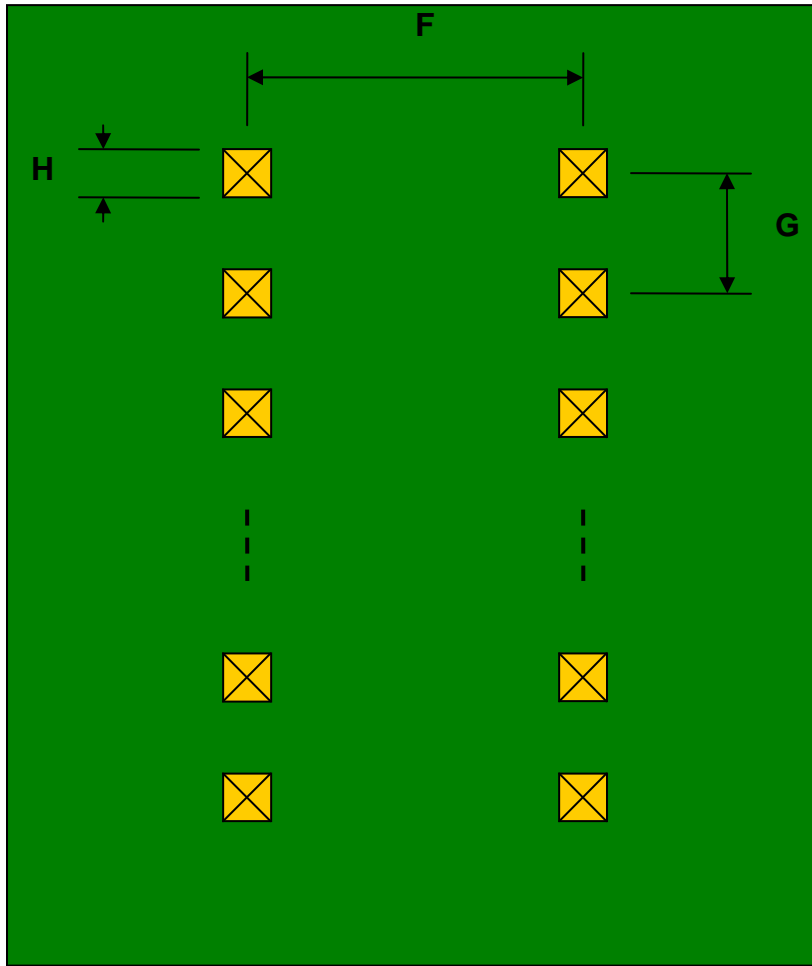
REF.	DIMENSIONS					
	mm			inches		
	MIN.	TYP.	MAX.	MIN.	TYP.	MAX.
A		2.40				
B		0.50				
C		0.20				
B2		1.50				
C2		2.30				
D		0.20				
D2		0.45				
E		0.40				
F					0.600	
G					0.100	
H					0.025	

Top View (SMT Footprint)



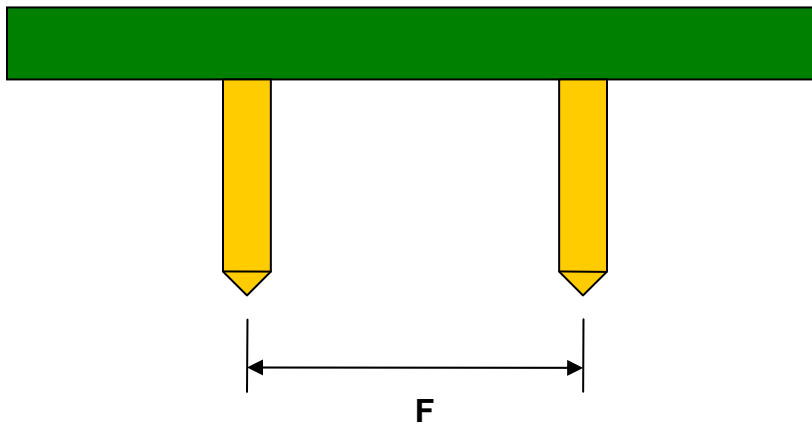
(Representative drawing only - not to scale)

Bottom View (DIP Pins)



(Representative drawing only - not to scale)

Side View (DIP Pins)



(Representative drawing only - not to scale)