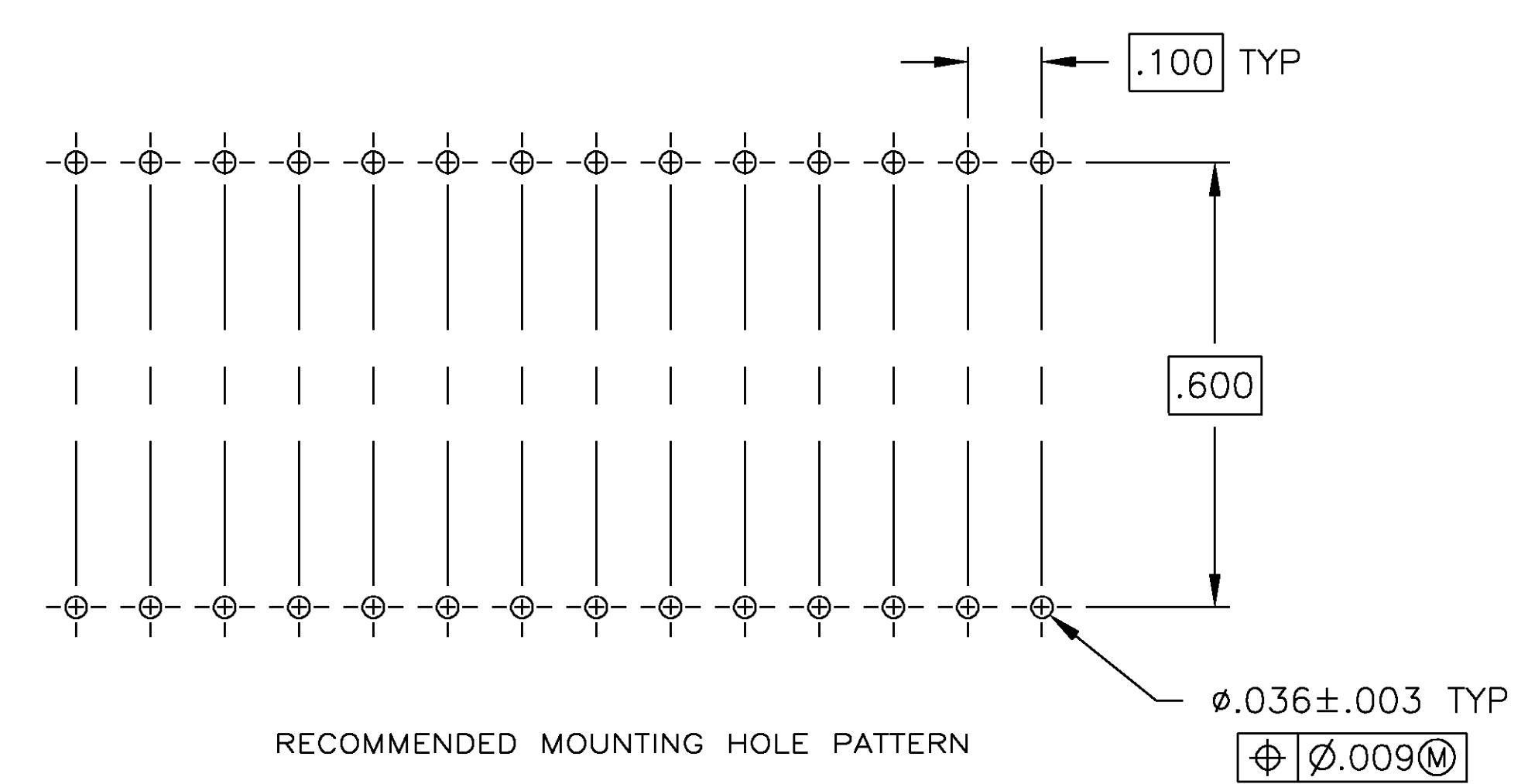
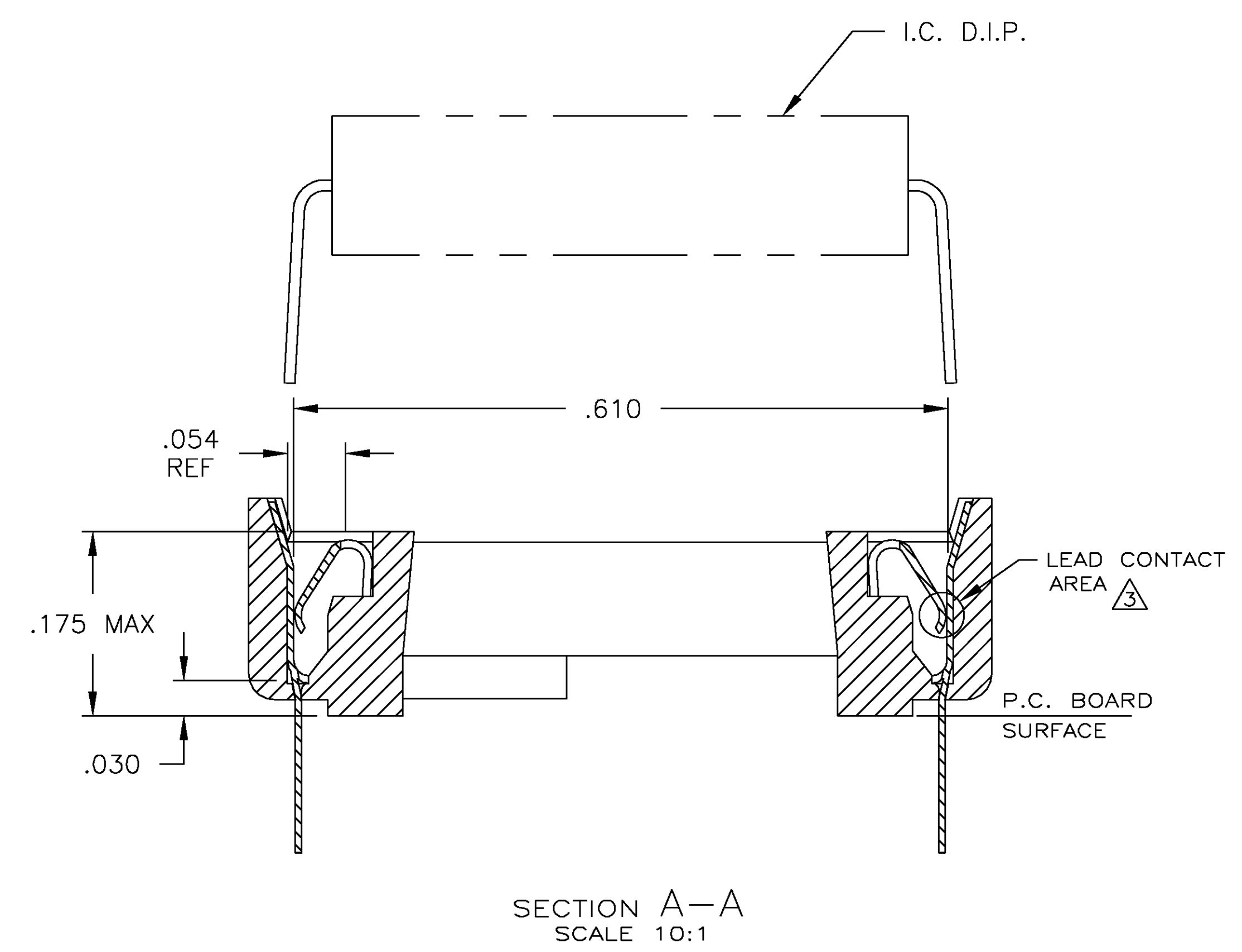
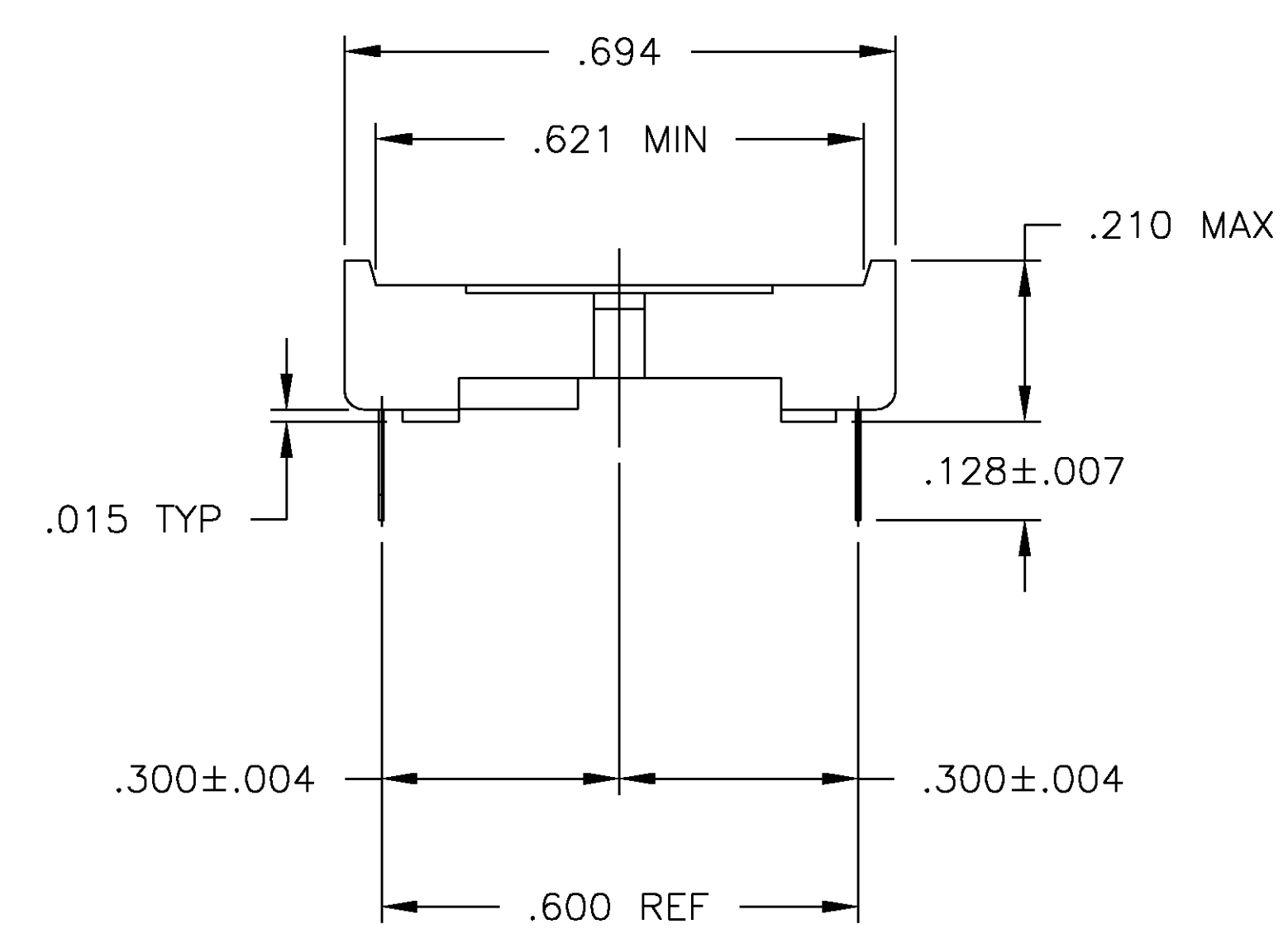
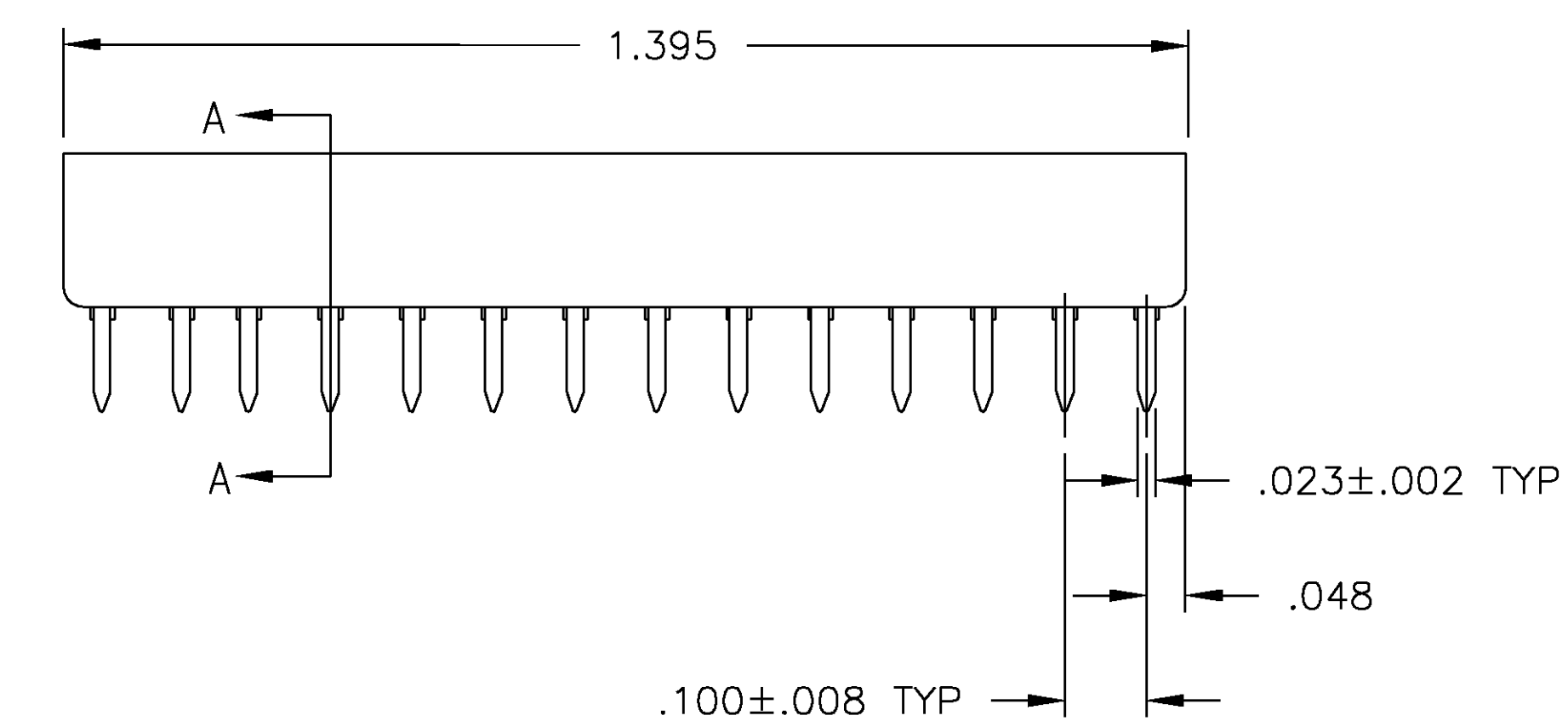
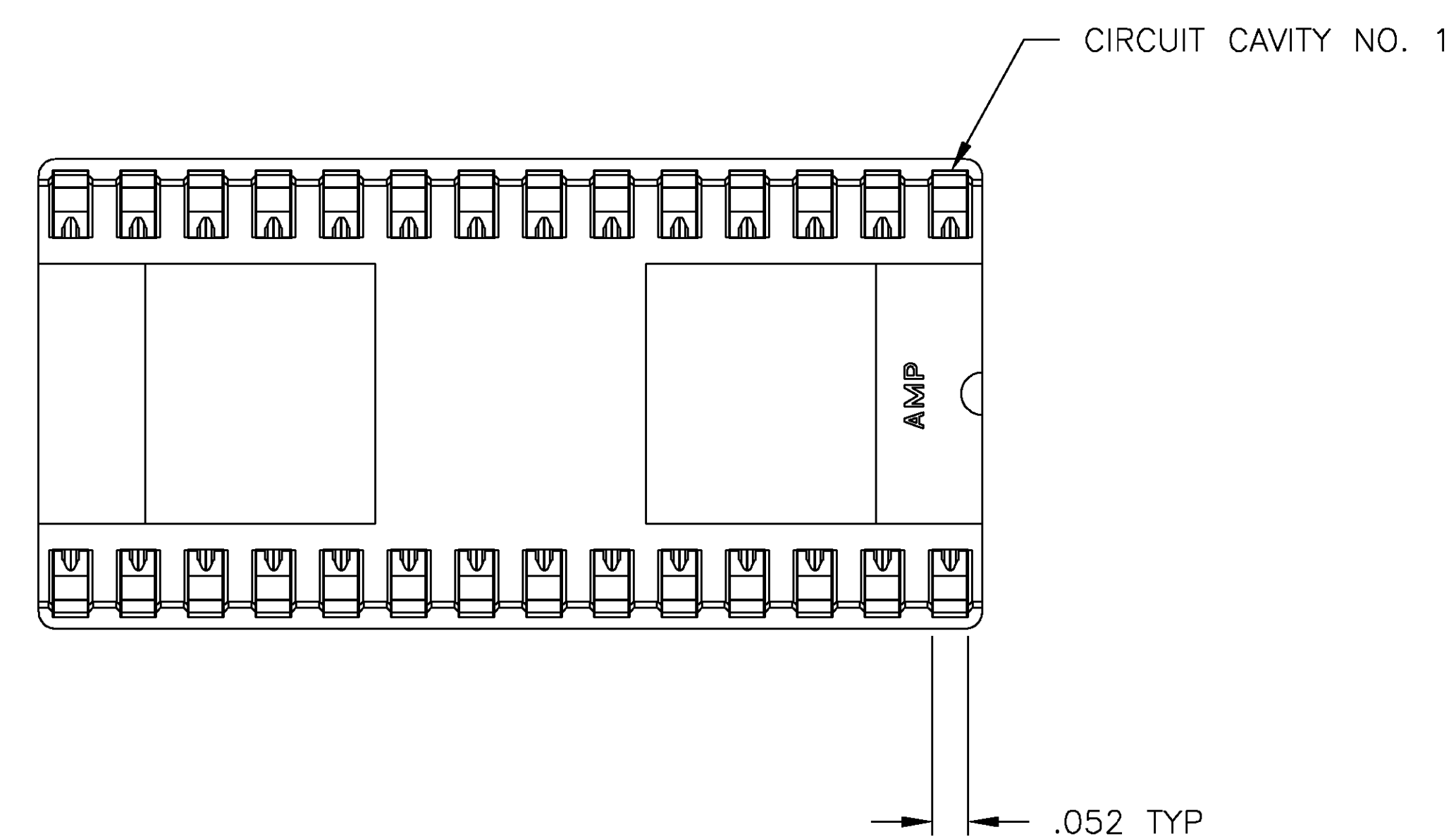


1. RECEPTACLE ACCEPTS A .008-.014 THICK I.C. LEAD.
2. TUBE LOADED.
3. TWO .000015 MIN THK. GOLD STRIPES IN CONTACT AREA WITH TIN-LEAD (93/7) ON SOLDER LEGS, BALANCE OF CONTACT NICKEL PLATED.



OBSOLETE	3	PHOS. BRZ	BROWN GLASS-FILLED PCT	2-382467-4
		TINNED	PHOS. BRZ	BROWN GLASS-FILLED PCT
		TINNED	BE.CU.	BROWN GLASS-FILLED PCT
		CONTACT FINISH	CONTACT MAT'L	HOUSING MATERIAL
				PART NO.

THIS DRAWING IS A CONTROLLED DOCUMENT.		043401	
DRW	R BROWN	DATE	17NOV00
CHK	H WYNKOOP	NAME	AMP
APP'D	H WYNKOOP	PRODUCT SPEC	108-1066
		APPLICATION SPEC	114-1052
MATERIAL	SEE TABLE	WEIGHT	-
FINISH	SEE TABLE	SIZE	A1
		CAGE CODE	00779
		DRAWING NO	382467
		RESTRICTED TO	-
		CUSTOMER DRAWING	SCALE 5:1
		SHEET	1 OF 1
		REV	G