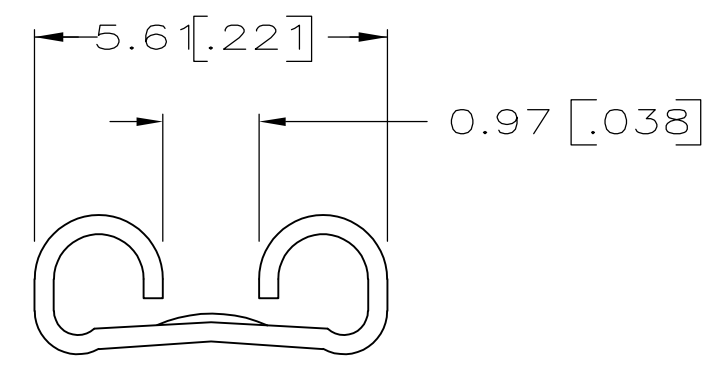
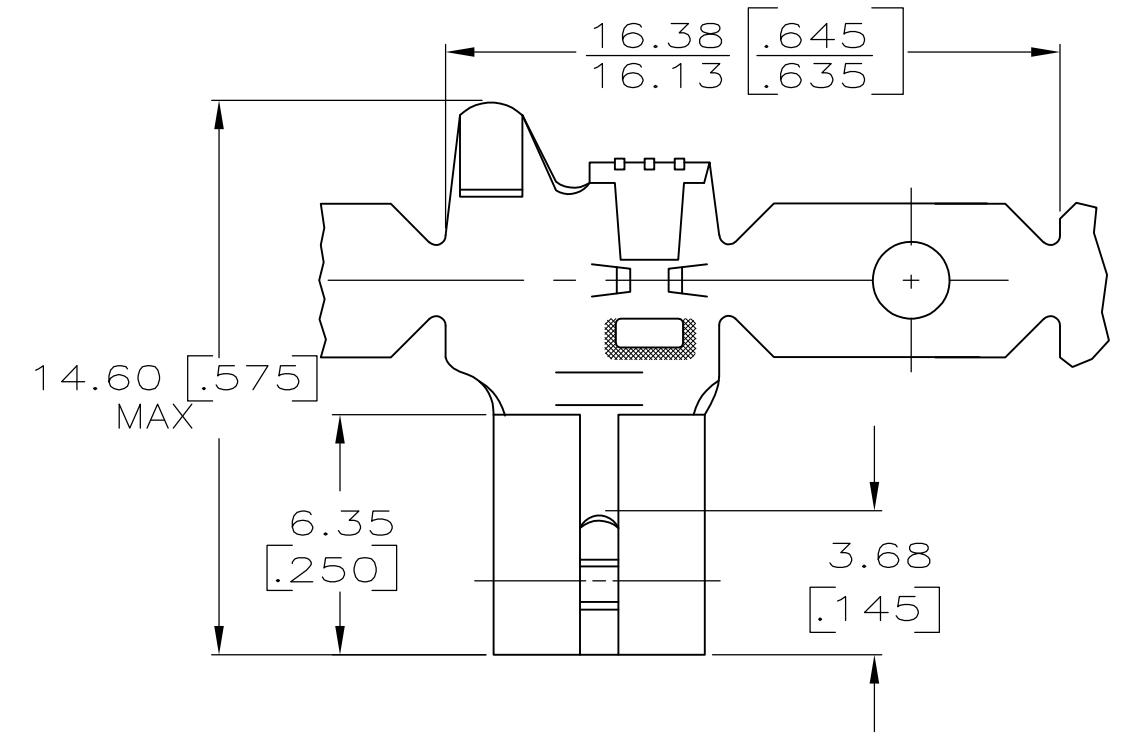
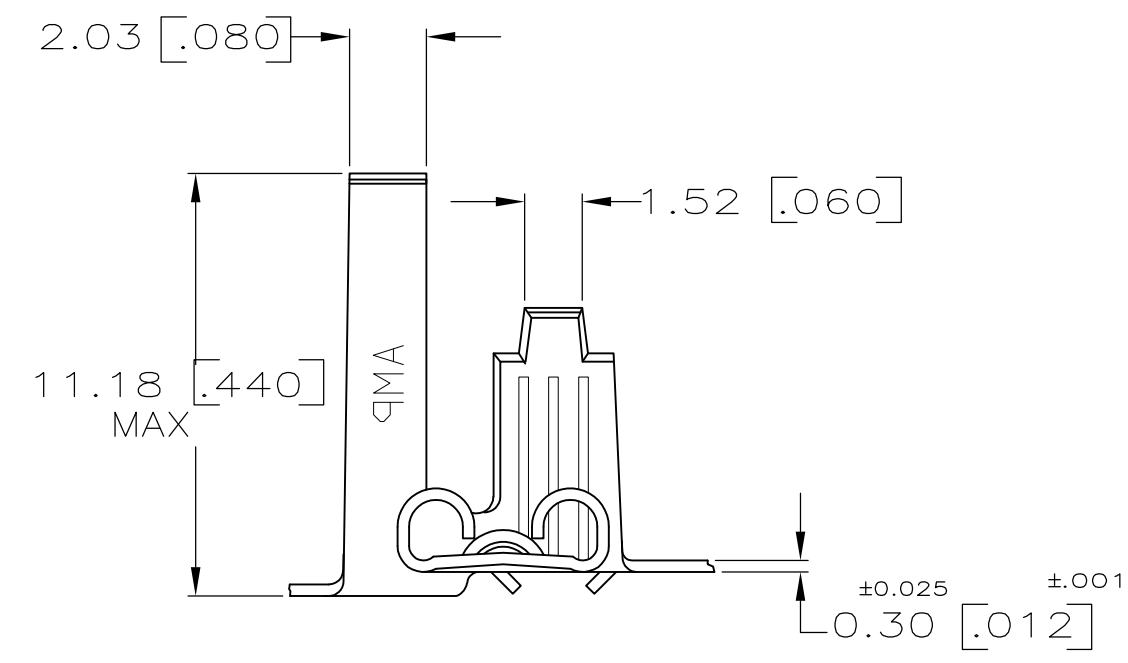


THIS DRAWING IS UNPUBLISHED. RELEASED FOR PUBLICATION
 © COPYRIGHT - By - ALL RIGHTS RESERVED.

LOC	DIST	REVISIONS			
P	LTR	DESCRIPTION	DATE	DWN	APVD
AF	50	F	REVISED PER ECR-12-013459	27NOV2012	KH PD



VIEW A-A



- 1 CONTINUOUS STRIP ON REELS
- 2 DIMENSIONS IN BRACKETS ARE IN INCHES
- 3 WIRE SIZE IS [#20-#16] AWG
- 4 INSULATION RANGE IS 4.32-5.71 [.170-.225] DIA
- 5 MATING TAB THK IS 0.51±0.025 [.020±.001]
- △ 6 PRELIMINARY - NOT FOR PRODUCTION

0.002032 [.000080] MIN TIN	△ 6 62817-2
-	62817-1
FINISH	PART NO.

THIS DRAWING IS A CONTROLLED DOCUMENT.		DWN	JR RUTH	5/19/87	TE Connectivity		
DIMENSIONS: mm [INCHES]		CHK	G YETTER	7/9/87			
TOLERANCES UNLESS OTHERWISE SPECIFIED:		APVD	R KUZO	7/9/87	NAME		
0 PLC ± - 1 PLC ± - 2 PLC ± - 3 PLC ± 0.38 [.015] 4 PLC ± - ANGLES ± -		PRODUCT SPEC		RECEPTACLE, FASTON, FLAG, .187 SERIES			
MATERIAL		APPLICATION SPEC		SIZE			RESTRICTED TO
BRASS		FINISH		WEIGHT		CAGE CODE	DRAWING NO
SEE TABLE		-		-		A300779	C-62817
CUSTOMER DRAWING				SCALE	5:1	SHEET	1 OF 1
				REV	F		