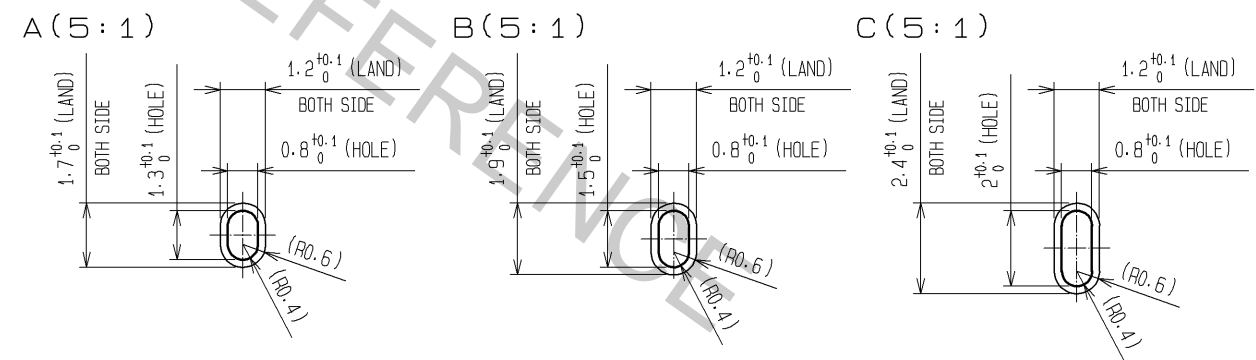


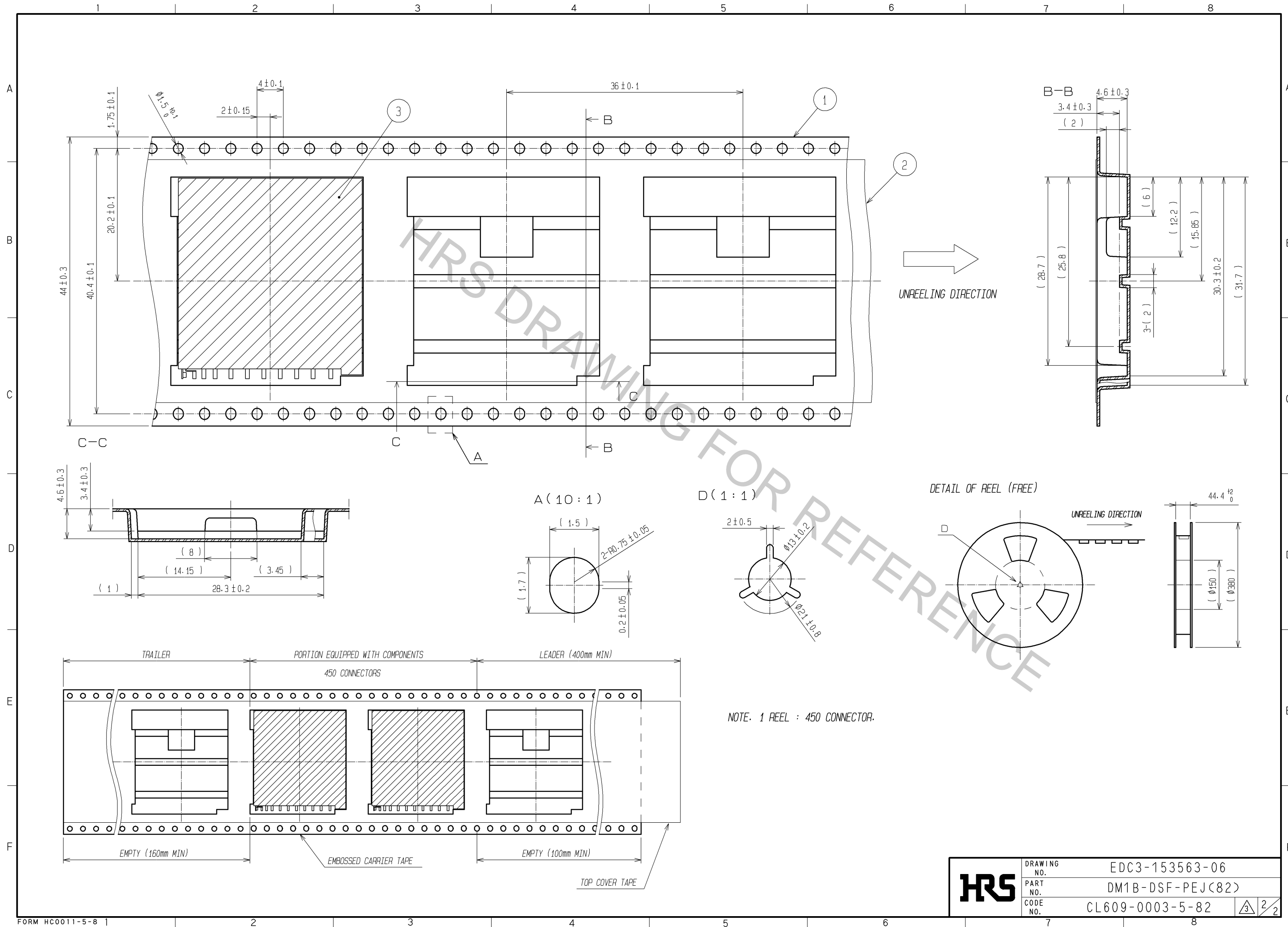
- 注 ① φ IS THE CENTERLINE OF THE CARD SLOT.
 ② THESE DIMENSIONS ARE FROM THE CENTER TO THE CENTER OF EACH DIP PIN.
 ③ 'CARD CENTER LINE' IS SPECIFIED BY DIMENSION [5.62].
 4 CARD DETECTION PROCEDURE AND WP DETECTION PROCEDURE ARE SHOWN IN THE BELOW.

CARD DETECTION SWITCH		WP DETECTION SWITCH		
NO CARD	CARD INSERTED	NO CARD	CARD INSERTED	
			WRITE PROTECT	WRITE ENABLE
OPEN	CLOSE	OPEN	OPEN	CLOSE
PART NO.6 PART NO.8	PART NO.6 PART NO.8	PART NO.7 PART NO.8	PART NO.7 PART NO.8	PART NO.7 PART NO.8

5 LEAD CO-PLANARITY TO BE 0.1 mm.



4	PA	BLACK	UL94V-0	10	STAINLESS STEEL			
3	STAINLESS STEEL	DIP AREA	Ni0.2μm + SnCu1.5μm	9	STEEL WIRE	Ni		
2	COPPER ALLOY	CONTACT AREA	Ni1.5μm + Au0.2μm	6~8	COPPER ALLOY	CONTACT AREA	Ni1.5μm + Au0.2μm	
		MOUNTING AREA	Ni1.5μm + Au0.03μm			MOUNTING AREA	Ni1.5μm + Au0.03μm	
1	LCP	BLACK	UL94V-0	5	STAINLESS STEEL			
NO.	MATERIAL	FINISH	REMARKS	NO.	MATERIAL	FINISH	REMARKS	
UNITS		SCALE	COUNT	DESCRIPTION OF REVISIONS		DESIGNED	CHECKED	DATE
mm		2 : 1	1	DIS-F-005069		KA. KANEKO	NH. SUGITA	10.11.09
HRS HIROSE ELECTRIC CO., LTD.		APPROVED	05.12.06	DRAWING NO.		EDC3-153563-06		
		CHECKED	05.12.06	PART NO.		DM1B-DSF-PEJ(82)		
		DESIGNED	05.12.05	CODE NO.		CL609-0003-5-82		
		DRAWN	05.12.01					



HRS	DRAWING NO.	EDC3-153563-06
	PART NO.	DM1B-DSF-PEJ(82)
	CODE NO.	CL609-0003-5-82
		$\frac{2}{2}$