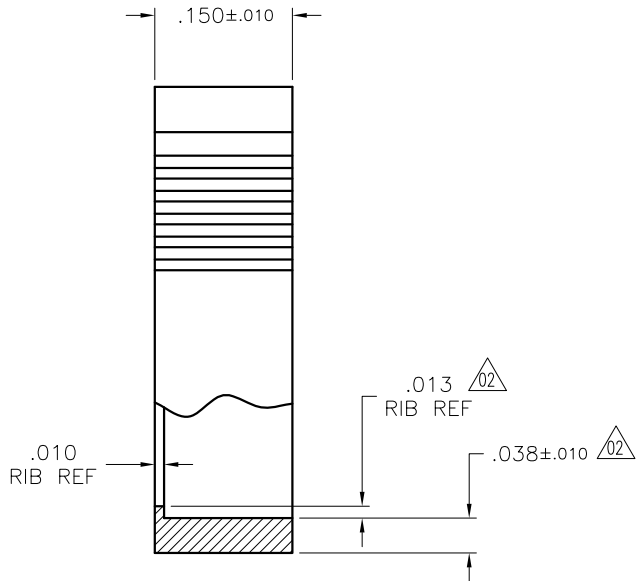
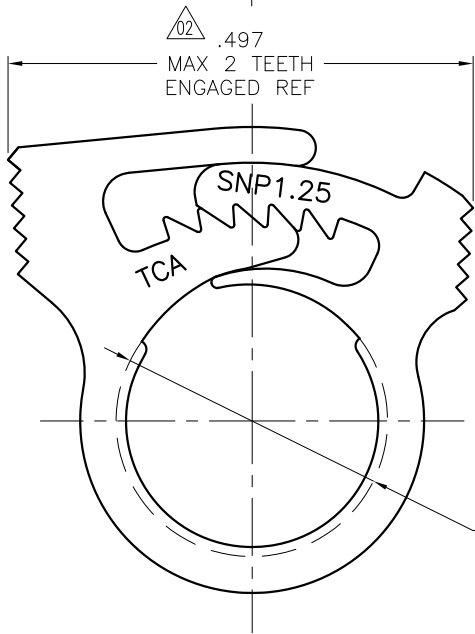
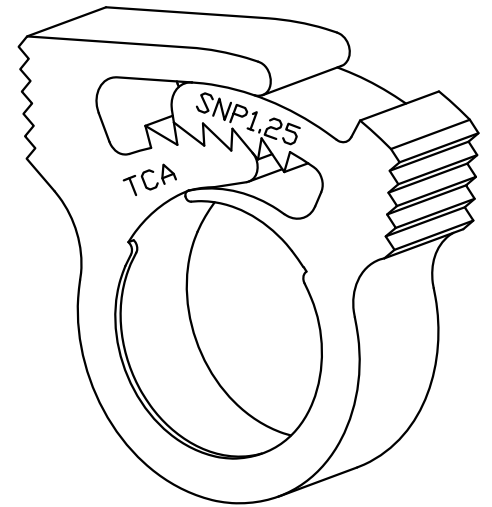


FULL SIZE
AS MOLDED



REDUCED
NO SCALE

HellermannTyton

ALL PROPRIETARY RIGHTS IN THE SUBJECT MATTER SHOWN ON THIS DRAWING ARE EXCLUSIVE PROPERTY OF HELLERMANNTYTON

name	date	city, state

NOTES

- INSIDE DIAMETERS ARE MEASURED IN THREE PLACES SPACED 120° APART EXCLUDING .010 WIDE RIB
- 8 TOTAL TEETH, 4 TEETH POSITIONS

REVISION	level	$\triangle 02$
	date	03/16/09
	by	AAC
	ECN #	011268
	part level	-

DIMENSIONS	.XXXX=	
	.XXX= NOTED	
	.XX=	
	.X=	
	∠=	
unless otherwise specified		
units		inches

PART	number	SNP1.25GHS_	phase	PRODUCTION
	name			
	SNAPPER 1.25 HOSE CLAMP			
	material			
	NYLON 6/6 13% GLASS FILLED HEAT STABILIZED			

DRAWING	FORMAT C version	M	CAD	ACAD	scale	10X
	computer file number	CP\CST\2125001_02	previous number			
	date	5/4/93	released	K.A.C.	approved	
	type	CUSTOMER	date	03/16/09	sheet	1 of 1
	number	CP2125001CST				