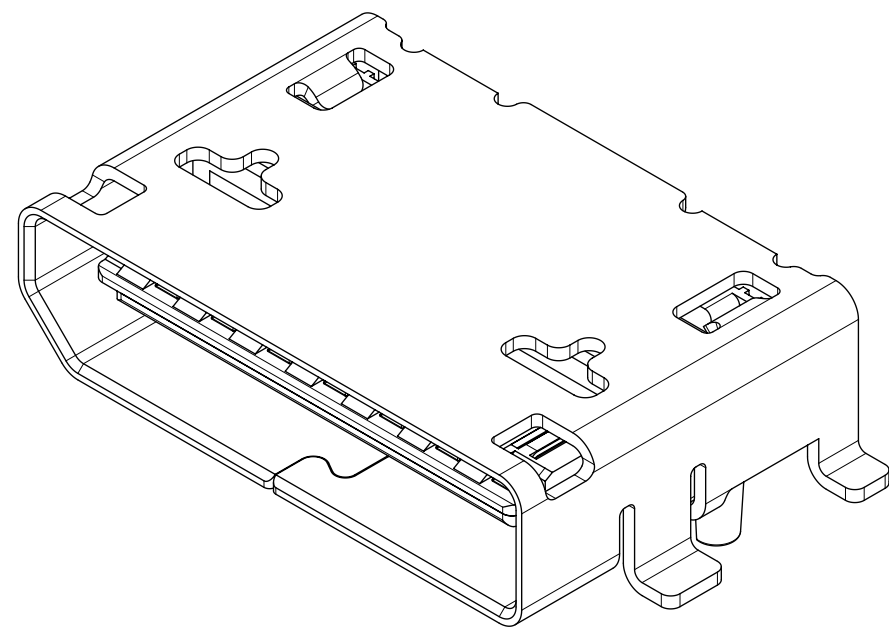
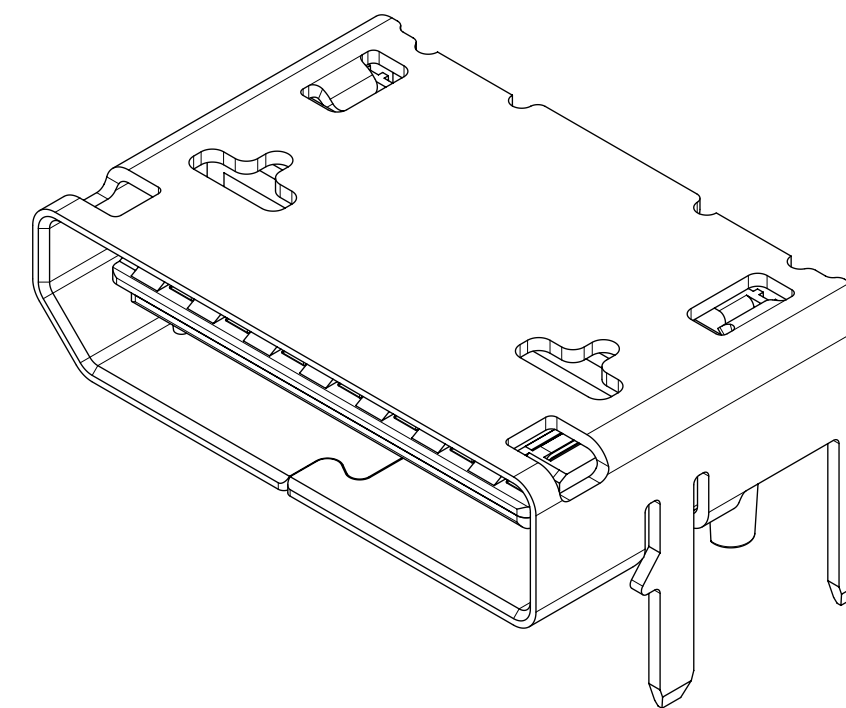


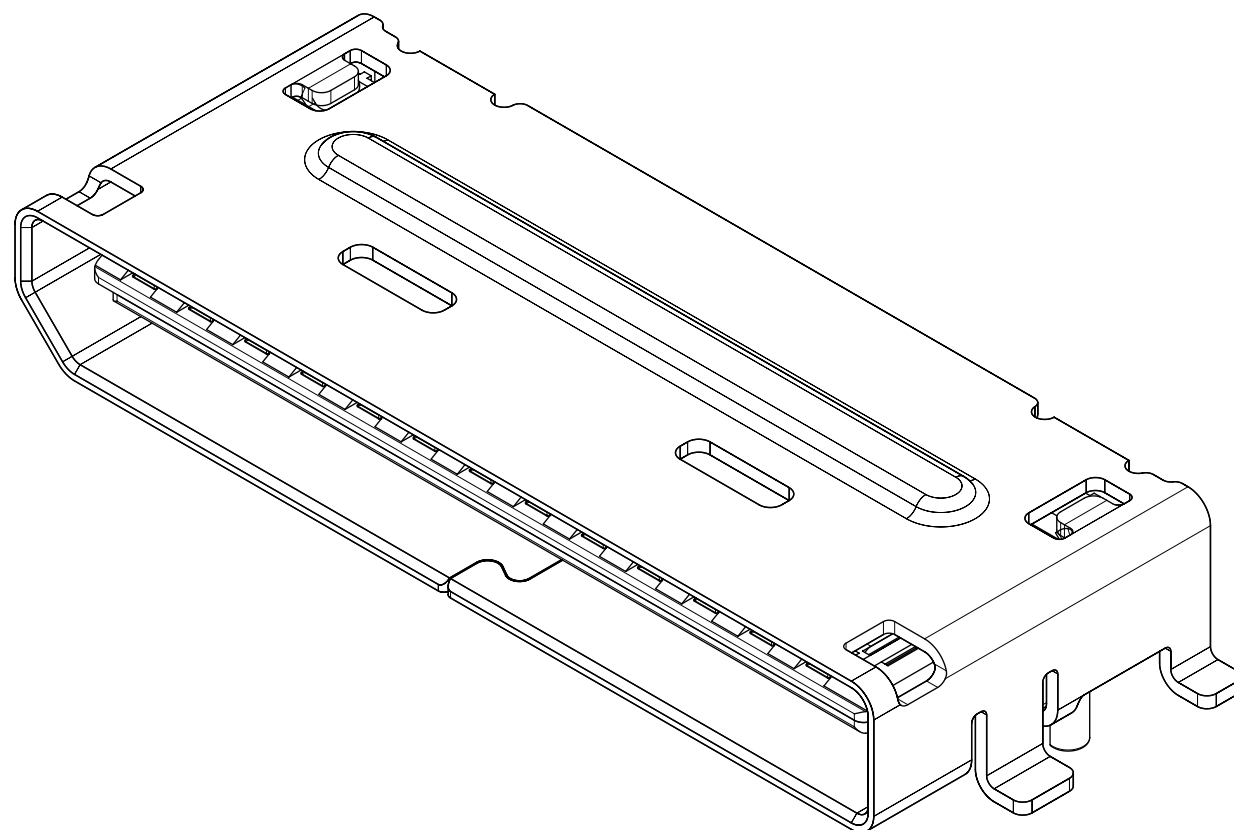
STATUS	MATERIAL NUMBER	CIRCUIT SIZE	SHELL ATTACH OPTION	DIM "T"
TOOLED	173162-0131	80	SMT	-
TOOLED	173162-0132	80	TH	3.0
NOT TOOLED	173162-0121	42	SMT	-
NOT TOOLED	173162-0122	42	TH	3.0
NOT TOOLED	173162-****	80	TH	2.36
NOT TOOLED	173162-****	80	TH	1.57
NOT TOOLED	173162-****	42	TH	2.36
NOT TOOLED	173162-****	42	TH	1.57



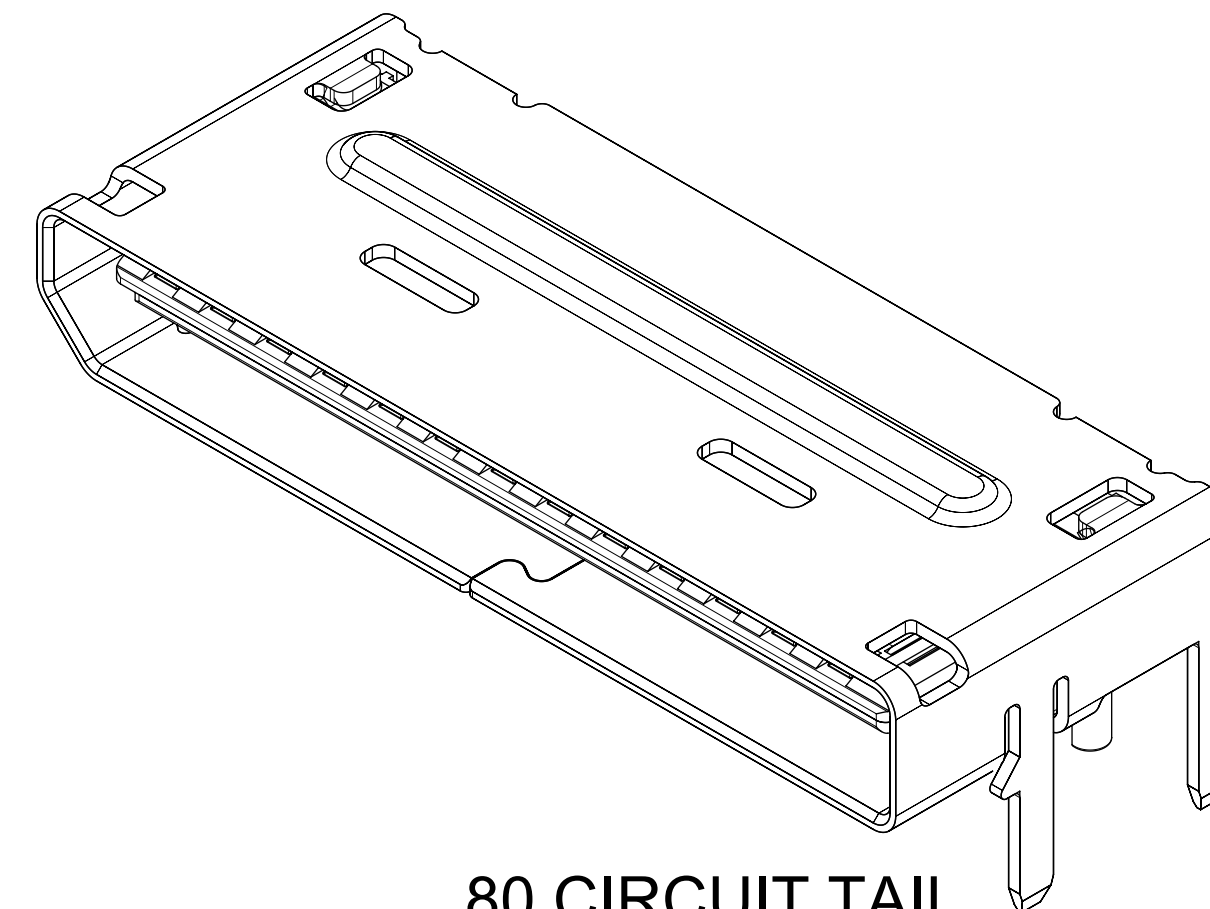
42 CIRCUIT SMT



42 CIRCUIT TAIL



80 CIRCUIT SMT



80 CIRCUIT TAIL

NOTES:

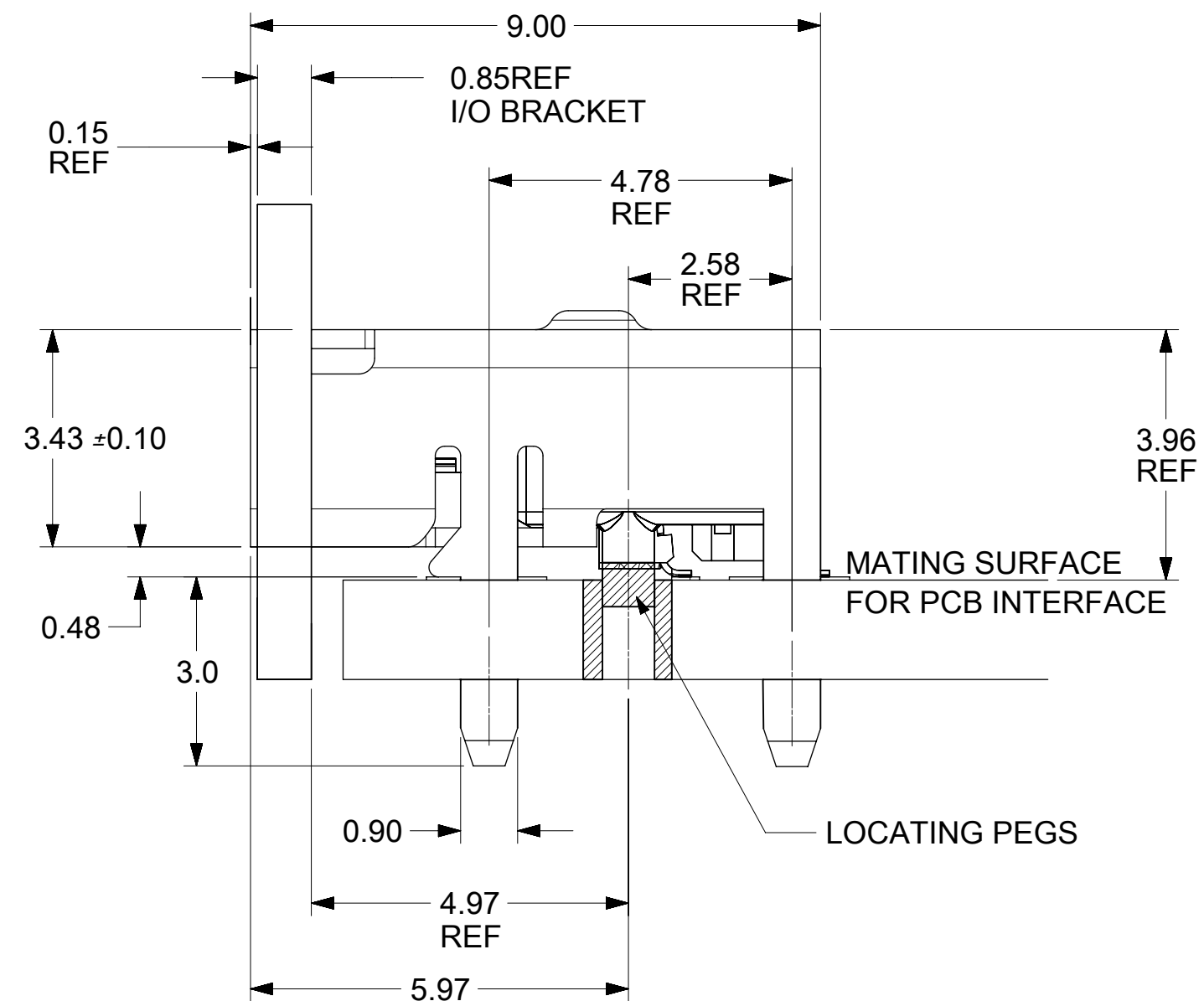
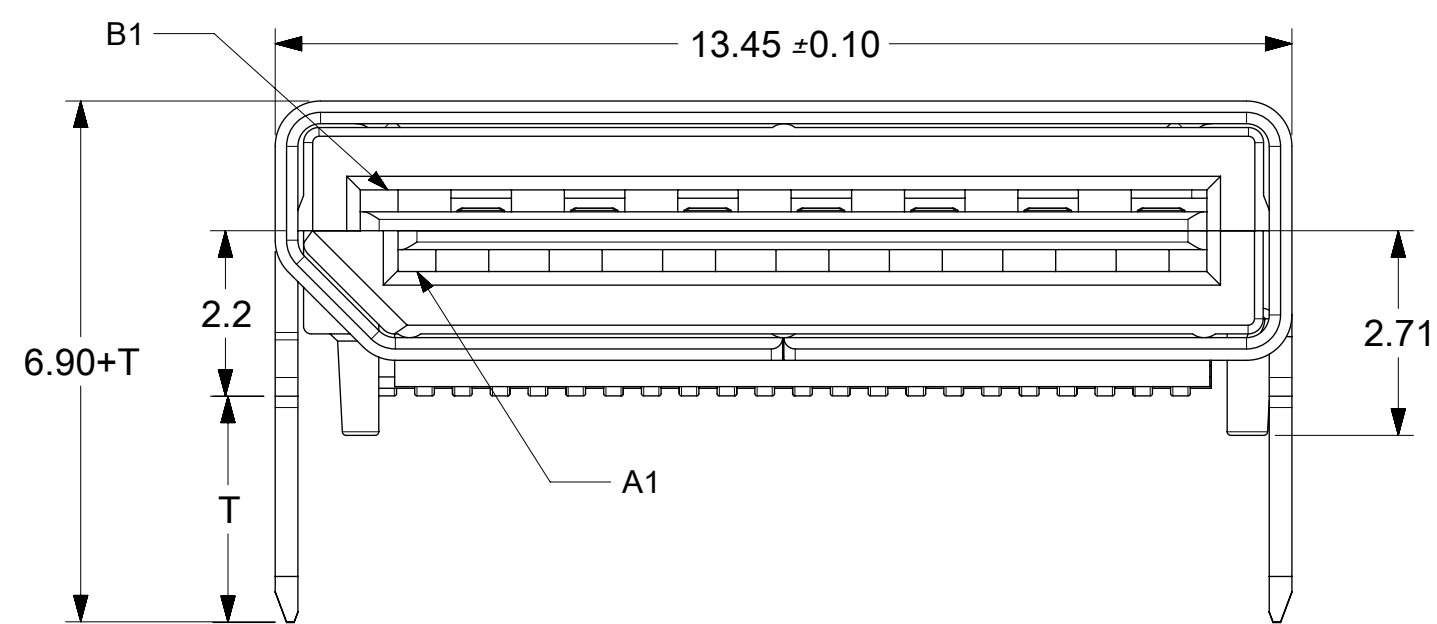
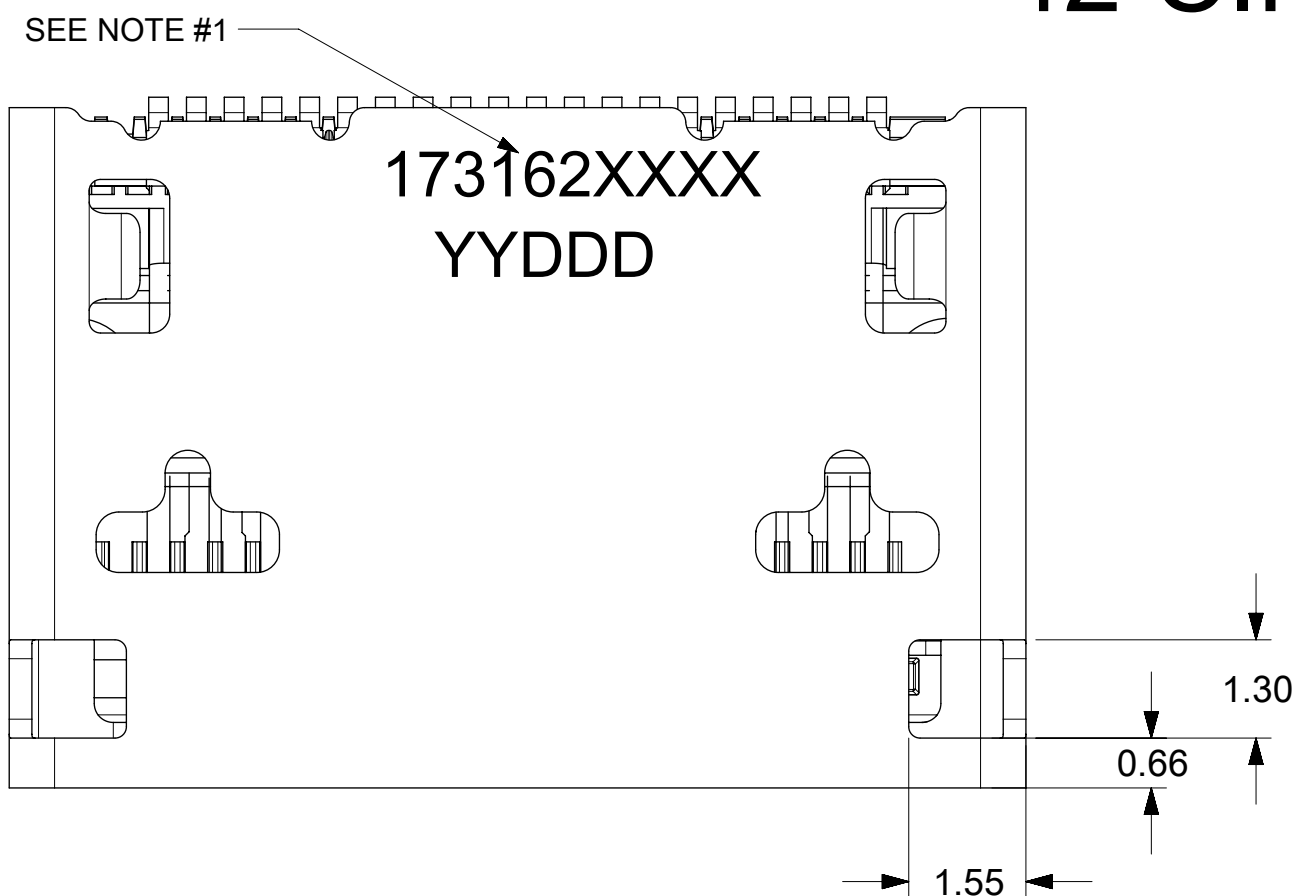
- MATERIALS:
HOUSING - GLASS FILLED THERMOPLASTIC, 94V-0
CONTACTS - HIGH PERFORMANCE COPPER ALLOY
SHIELD - STAINLESS STEEL
- FINISH:
CONTACTS - 0.76µm MIN. GOLD MATING SIDE
2.54µm TIN ON SOLDER TAILS
2.0µm MIN. NICKEL UNDERPLATE OVERALL

SHIELD - MATTE TIN OVER 1.27µm MIN. NICKEL
- PRODUCT SPECIFICATION: PS-173162-0001
- PACKAGING SPECIFICATION: PK-173307-0001
- MATES WITH: MOLEX CABLE SERIES 200226 OR 200227
PER INDUSTRY STANDARD PCIe OCuLink 1.0, SFF-8611
- APPLICATION SPECIFICATION: AS-173162-0001
- COSMETIC SPECIFICATION: PS-45499-002
- ASSEMBLY PART NUMBER AND DATE CODE TO BE LOCATED APPROXIMATELY AS SHOWN, DATE CODE TO SHOW THE DATE AND YEAR OF ASSEMBLY (DDYY OR YDDD)

PRE-RELEASE
REFERENCE
USE ONLY

THIS DRAWING CONTAINS INFORMATION THAT IS PROPRIETARY TO MOLEX ELECTRONIC TECHNOLOGIES, LLC AND SHOULD NOT BE USED WITHOUT WRITTEN PERMISSION												
SEE REVISION TABLE	2017/05/26	GENERAL TOLERANCES (UNLESS SPECIFIED)		DIMENSION UNITS	SCALE	molex						
			MM	INCH	MM							10:1
		4 PLACES	±	±	DRWN BY	DATE	NANO PITCH I/O FIXED 25GB RIGHT ANGLE 4X AND 8X					
		3 PLACES	±	±	BJANOWIAK	2015/05/11						
		2 PLACES	±	0.13	±	CHK'D BY	DATE	PRODUCT CUSTOMER DRAWING				
1 PLACES	±	0.25	±	APPR BY	DATE							
0 PLACES	±	±	±	MBANAKIS	2015/09/18	SERIES	MATERIAL NUMBER	CUSTOMER	GENERAL MARKET			
ANGULAR TOL = 0.5		DRAWING SIZE	THIRD ANGLE PROJECTION	173162	SEE CHART	173162	SD-173162-0001	PSD				001
DRAFT WHERE APPLICABLE MUST REMAIN WITHIN DIMENSIONS		C										

42 CIRCUIT TH ASSEMBLY



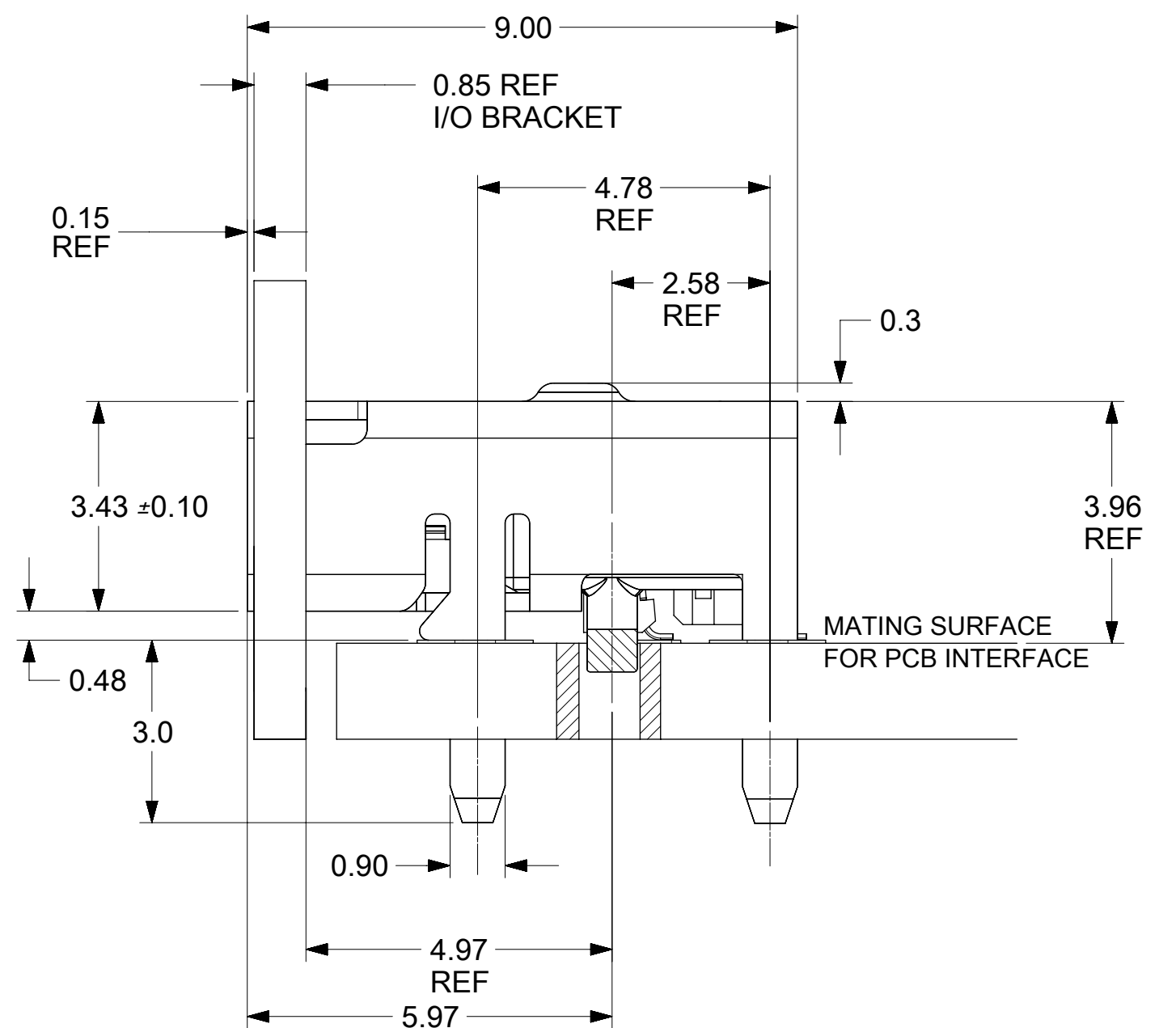
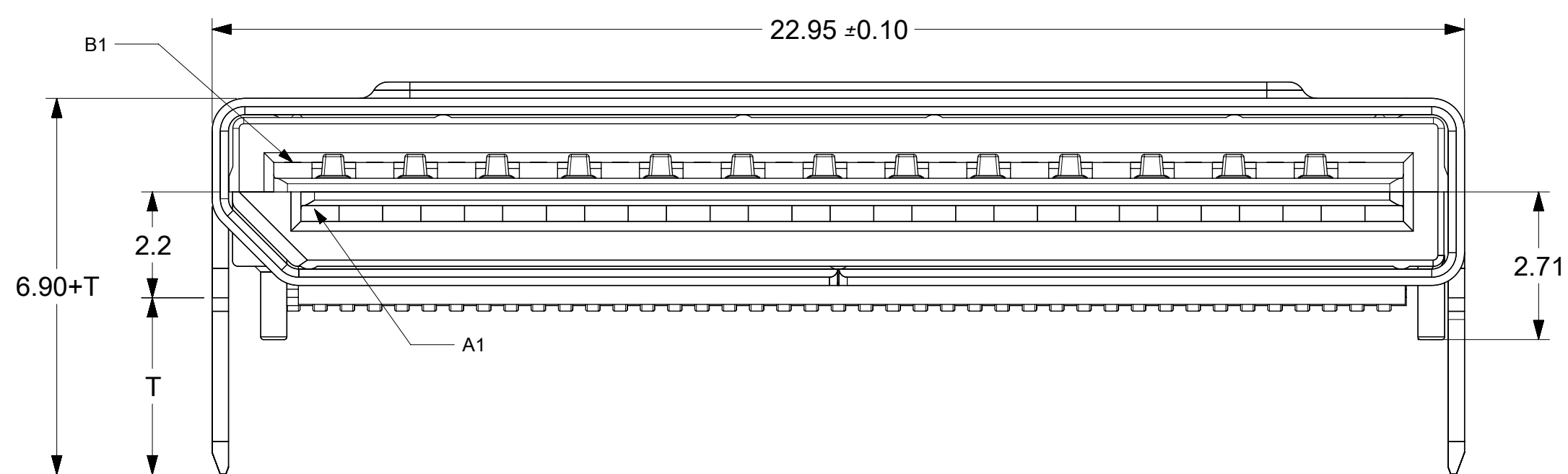
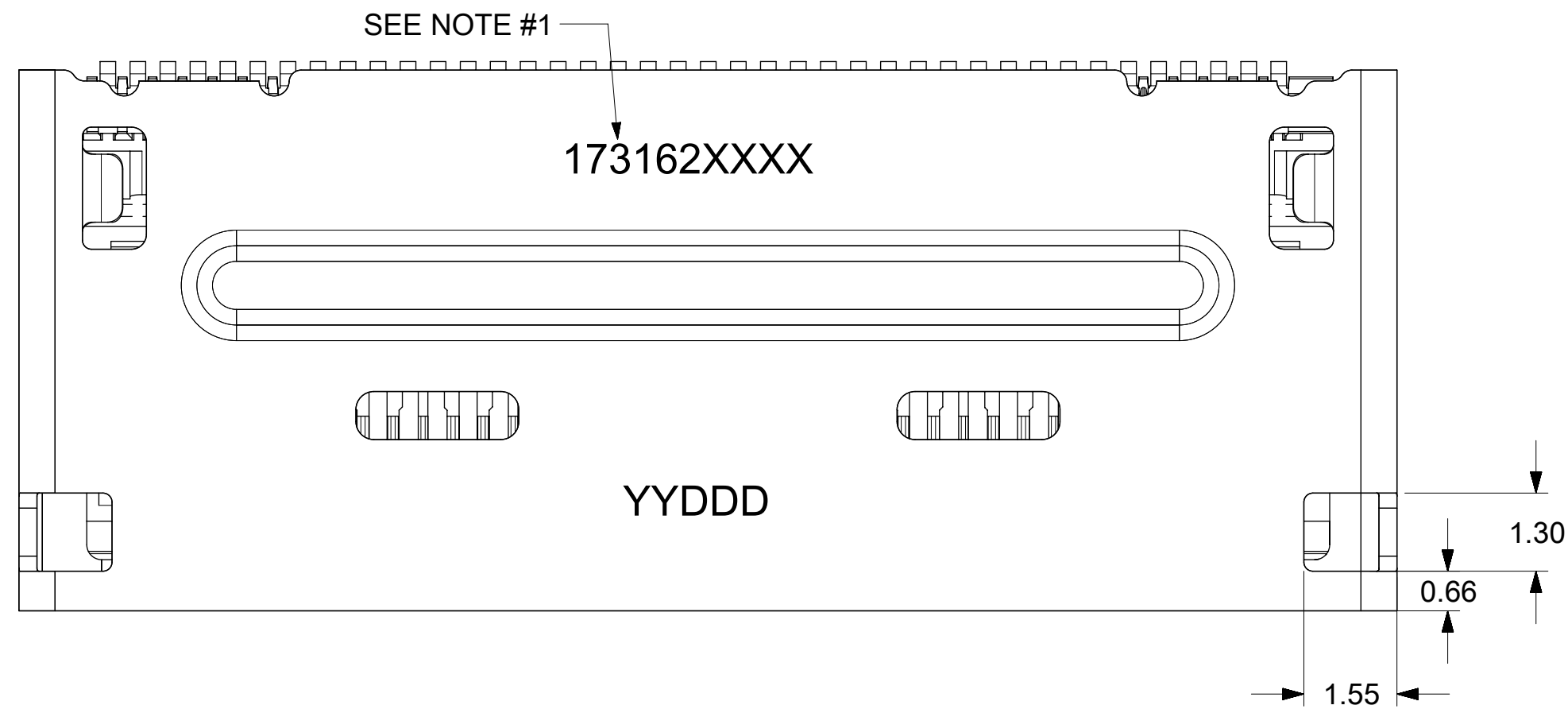
PRE-RELEASE
REFERENCE
USE ONLY

THIS DRAWING CONTAINS INFORMATION THAT IS PROPRIETARY TO MOLEX ELECTRONIC TECHNOLOGIES, LLC AND SHOULD NOT BE USED WITHOUT WRITTEN PERMISSION

SEE REVISION TABLE	2017/05/26	GENERAL TOLERANCES (UNLESS SPECIFIED)		DIMENSION UNITS	SCALE	<p>NANO PITCH I/O FIXED 25GB RIGHT ANGLE 4X AND 8X</p> <p>PRODUCT CUSTOMER DRAWING</p>	
	EC NO: DRWN: CMN CHKD: REV / APPR:		MM	INCH	MM		10:1
		4 PLACES	±	±	DRWN BY		DATE
		3 PLACES	±	±	BJANOWIAK		2015/05/11
		2 PLACES	±	0.13	±		CHK'D BY
1 PLACES	±	0.25	±	APPR BY	DATE		
0 PLACES	±	±	±	MBANAKIS	2015/09/18		
		ANGULAR TOL = 0.5		DRAWING SIZE	THIRD ANGLE PROJECTION	SERIES: 173162 MATERIAL NUMBER: SEE SHEET 1 CUSTOMER: GENERAL MARKET	
DRAFT WHERE APPLICABLE MUST REMAIN WITHIN DIMENSIONS				C		DOCUMENT NUMBER: SD-173162-0001 DOC TYPE: PSD DOC PART: 001 SHEET NUMBER: 2 OF 11	

- NOTES:
1. MANUFACTURED DATE CODE (JULIAN CALENDAR) AND PART NUMBER
 2. SOLDER TAIL COPLANARITY, 0.10 MAX

80 CIRCUIT TH ASSEMBLY



PRE-RELEASE
REFERENCE
USE ONLY

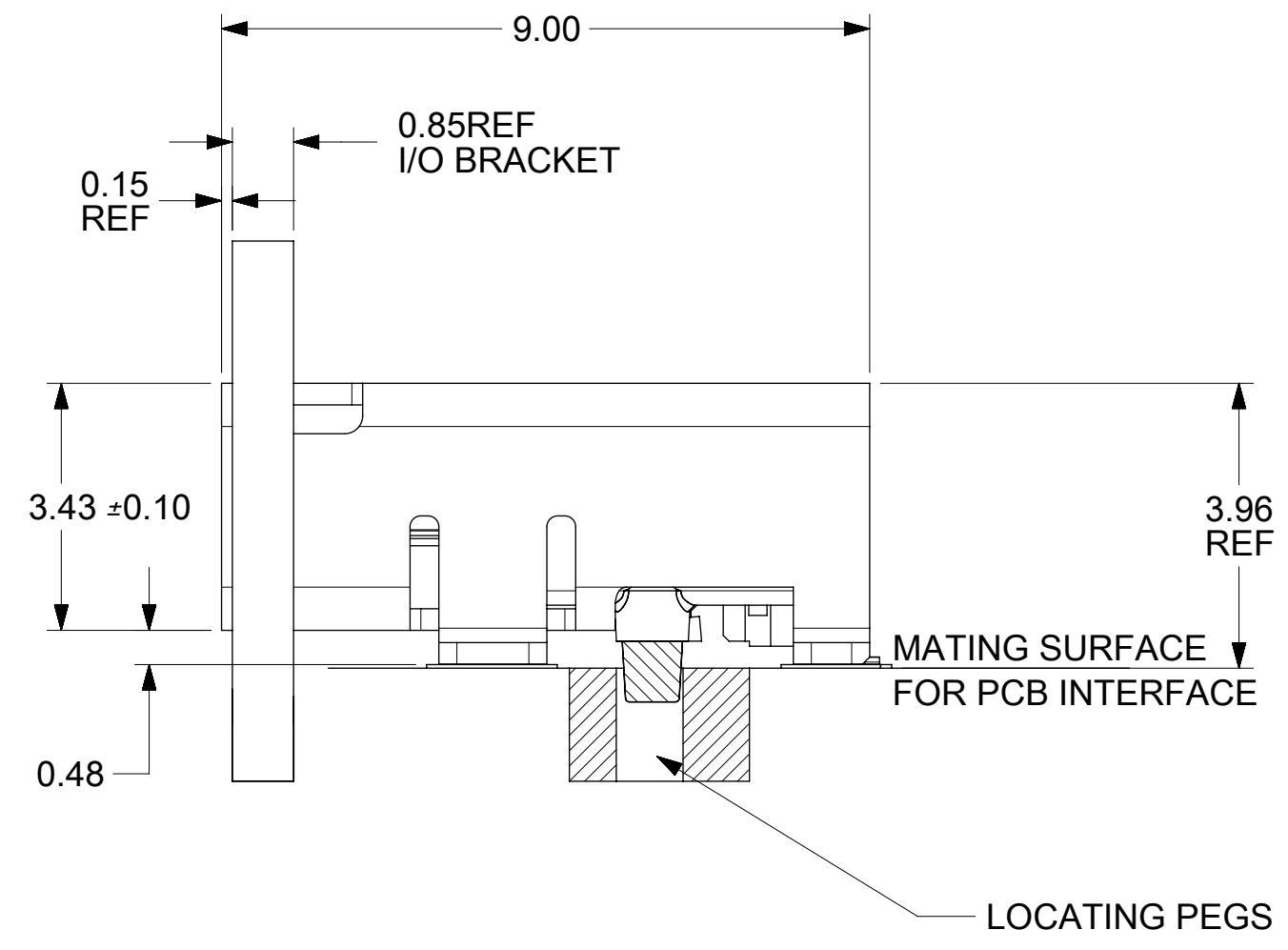
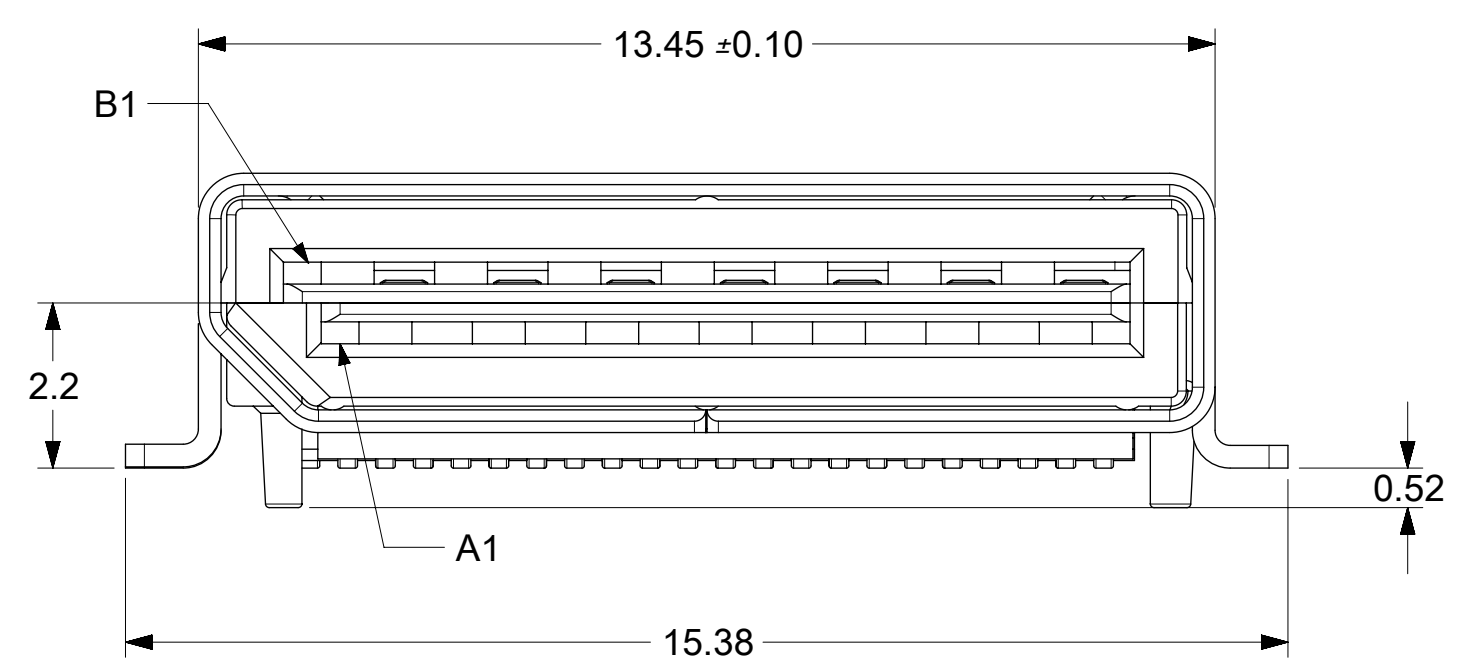
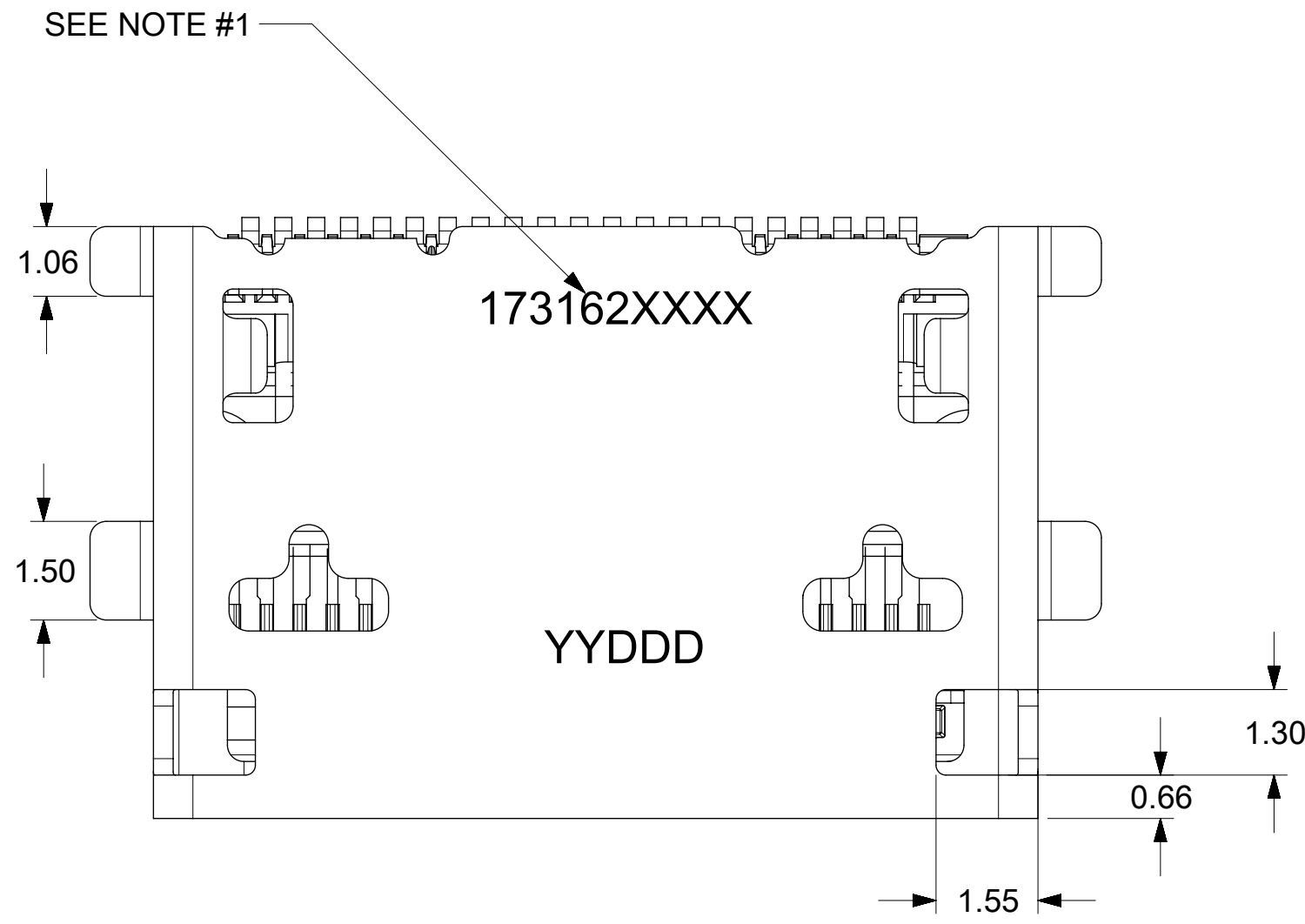
NOTES:

1. MANUFACTURED DATE CODE (JULIAN CALENDAR) AND PART NUMBER
2. SOLDER TAIL COPLANARITY, 0.10 MAX

THIS DRAWING CONTAINS INFORMATION THAT IS PROPRIETARY TO MOLEX ELECTRONIC TECHNOLOGIES, LLC AND SHOULD NOT BE USED WITHOUT WRITTEN PERMISSION

SEE REVISION TABLE	2017/05/26	GENERAL TOLERANCES (UNLESS SPECIFIED)		DIMENSION UNITS	SCALE	molex			
		MM	INCH	MM	10:1				
	EC NO:	DRWN: CMN	4 PLACES ± ±		DRWN BY	DATE	NANO PITCH I/O FIXED 25GB RIGHT ANGLE 4X AND 8X		
	CHKD:	REV:	3 PLACES ± ±	BJANOWIAK	2015/05/11				
APPR:		2 PLACES ± 0.13 ±	CHK'D BY	DATE	PRODUCT CUSTOMER DRAWING				
		1 PLACES ± 0.25 ±	APPR BY	DATE	SERIES	MATERIAL NUMBER	CUSTOMER		
		0 PLACES ± ±	MBANAKIS	2015/09/18	173162	SEE SHEET 1	GENERAL MARKET		
		ANGULAR TOL = 0.5	DRAWING SIZE	THIRD ANGLE PROJECTION	DOCUMENT NUMBER	DOC TYPE	DOC PART	SHEET NUMBER	
		DRAFT WHERE APPLICABLE MUST REMAIN WITHIN DIMENSIONS	C		SD-173162-0001	PSD	001	3 OF 11	

42 CIRCUIT SMT ASSEMBLY

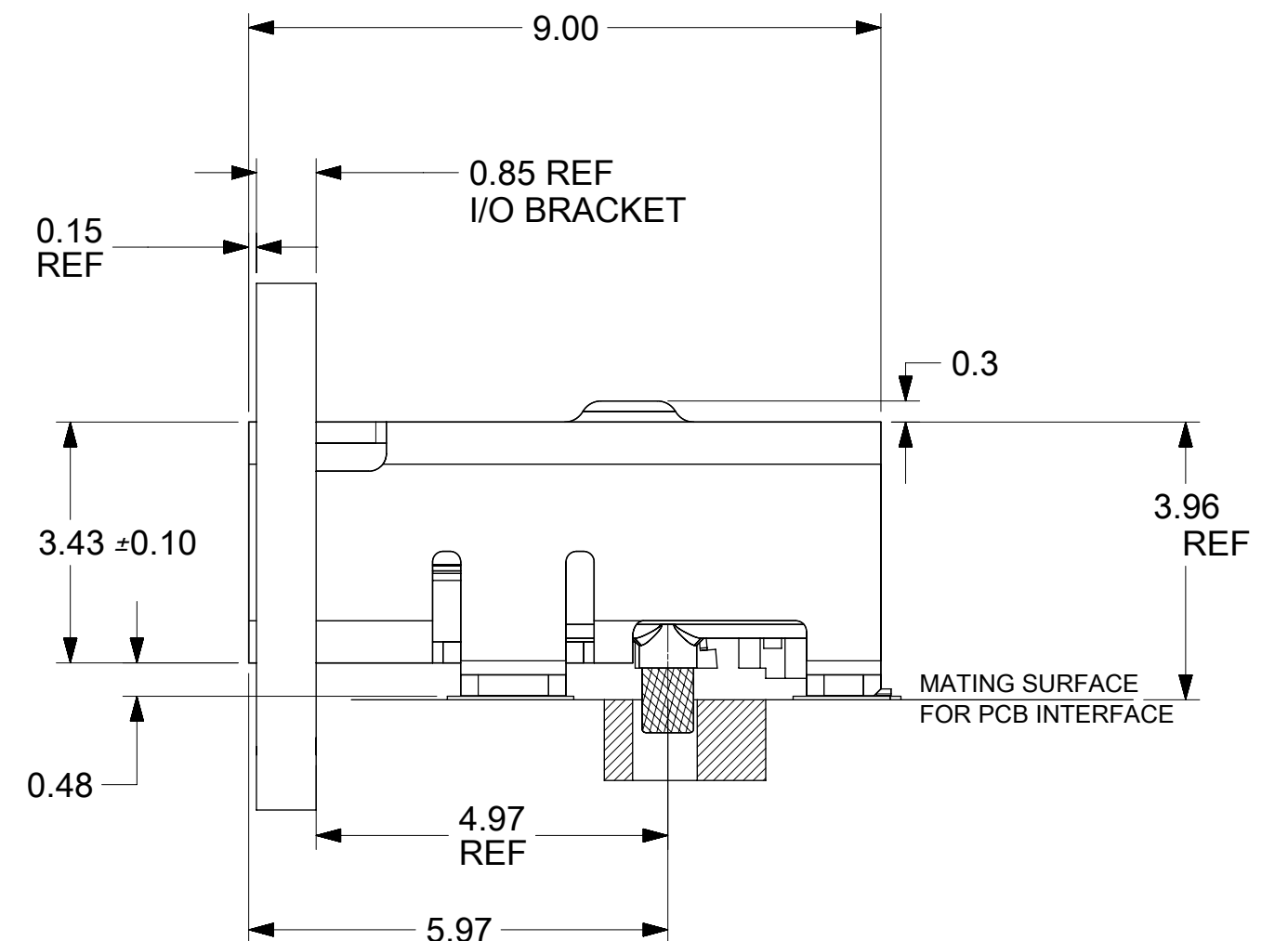
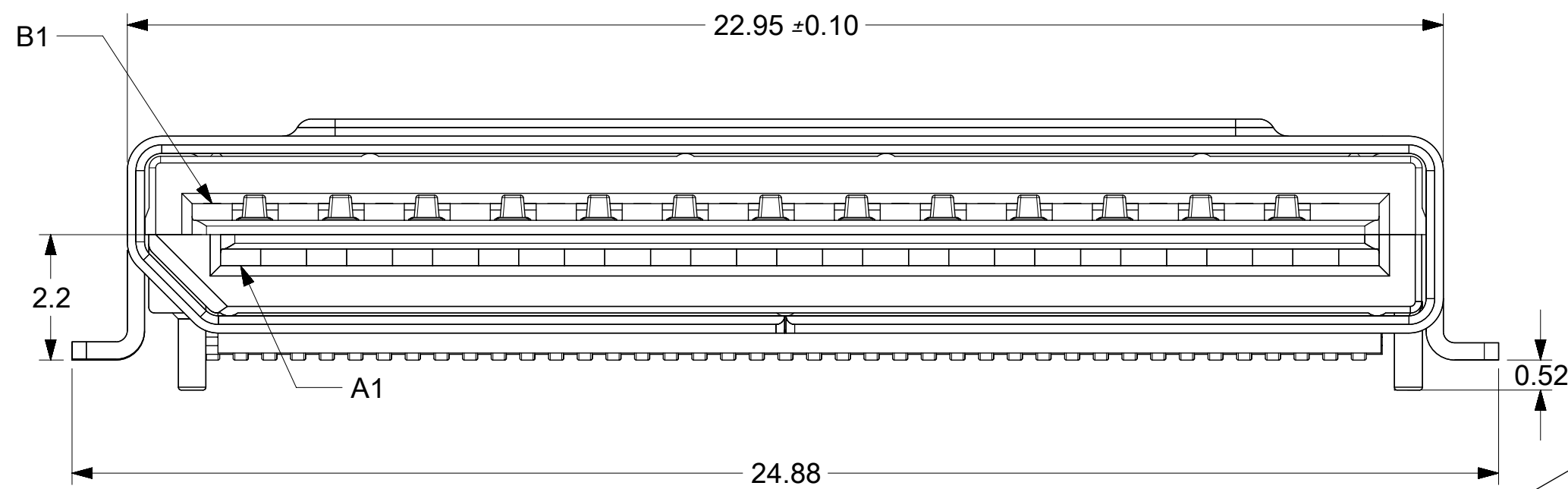
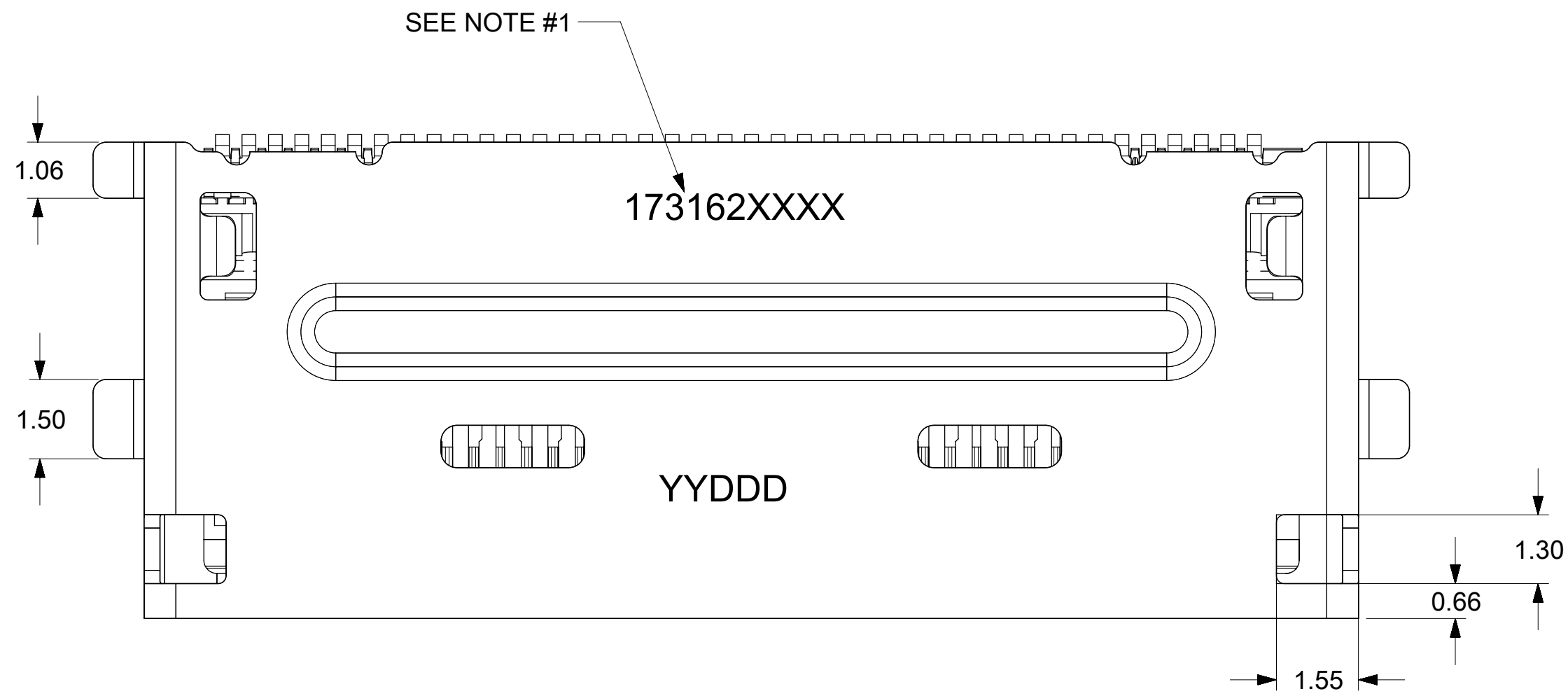


PRE-RELEASE
REFERENCE
USE ONLY

NOTES:
1. MANUFACTURED DATE CODE (JULIAN CALENDAR) AND PART NUMBER
2. SOLDER TAIL COPLANARITY, 0.10 MAX

THIS DRAWING CONTAINS INFORMATION THAT IS PROPRIETARY TO MOLEX ELECTRONIC TECHNOLOGIES, LLC AND SHOULD NOT BE USED WITHOUT WRITTEN PERMISSION										
SEE REVISION TABLE	2017/05/26	GENERAL TOLERANCES (UNLESS SPECIFIED)		DIMENSION UNITS	SCALE					
		MM	INCH	MM	10:1					
		4 PLACES ±	±	DRWN BY	DATE	NANO PITCH I/O FIXED 25GB RIGHT ANGLE 4X AND 8X				
		3 PLACES ±	±	BJANOWIAK	2015/05/11					
		2 PLACES ±	0.13 ±	CHK'D BY	DATE	PRODUCT CUSTOMER DRAWING				
1 PLACES ±	0.25 ±	APPR BY	DATE							
0 PLACES ±	±	MBANAKIS	2015/09/18	SERIES	MATERIAL NUMBER	CUSTOMER				
ANGULAR TOL = 0.5		DRAWING SIZE	THIRD ANGLE PROJECTION	173162	SEE SHEET 1	GENERAL MARKET				
DRAFT WHERE APPLICABLE MUST REMAIN WITHIN DIMENSIONS		C		DOCUMENT NUMBER	DOC TYPE	DOC PART	SHEET NUMBER			
D	REV	APPR	CHKD	DRWN	EC NO	SD-173162-0001		PSD	001	4 OF 11

80 CIRCUIT SMT ASSEMBLY



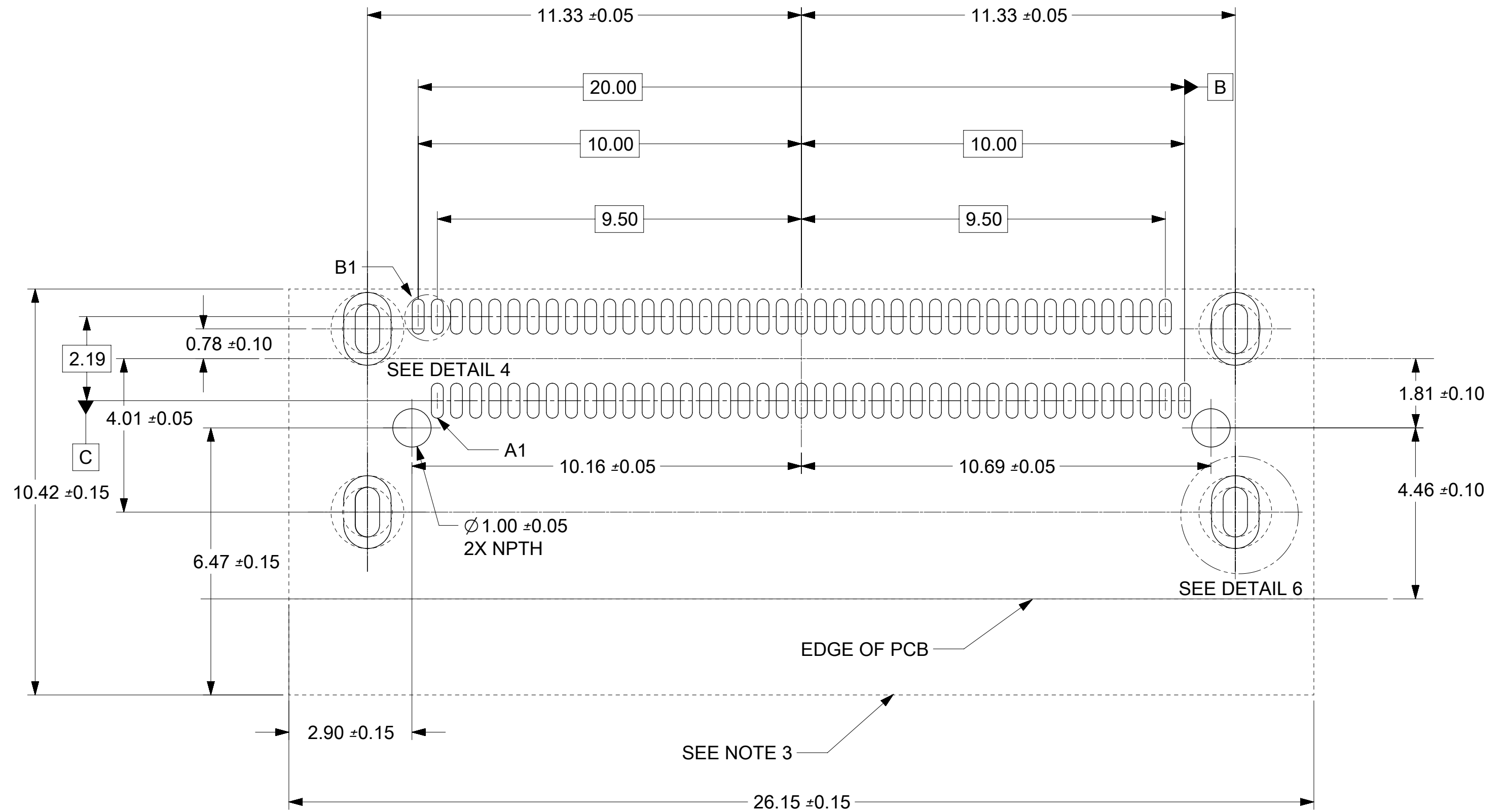
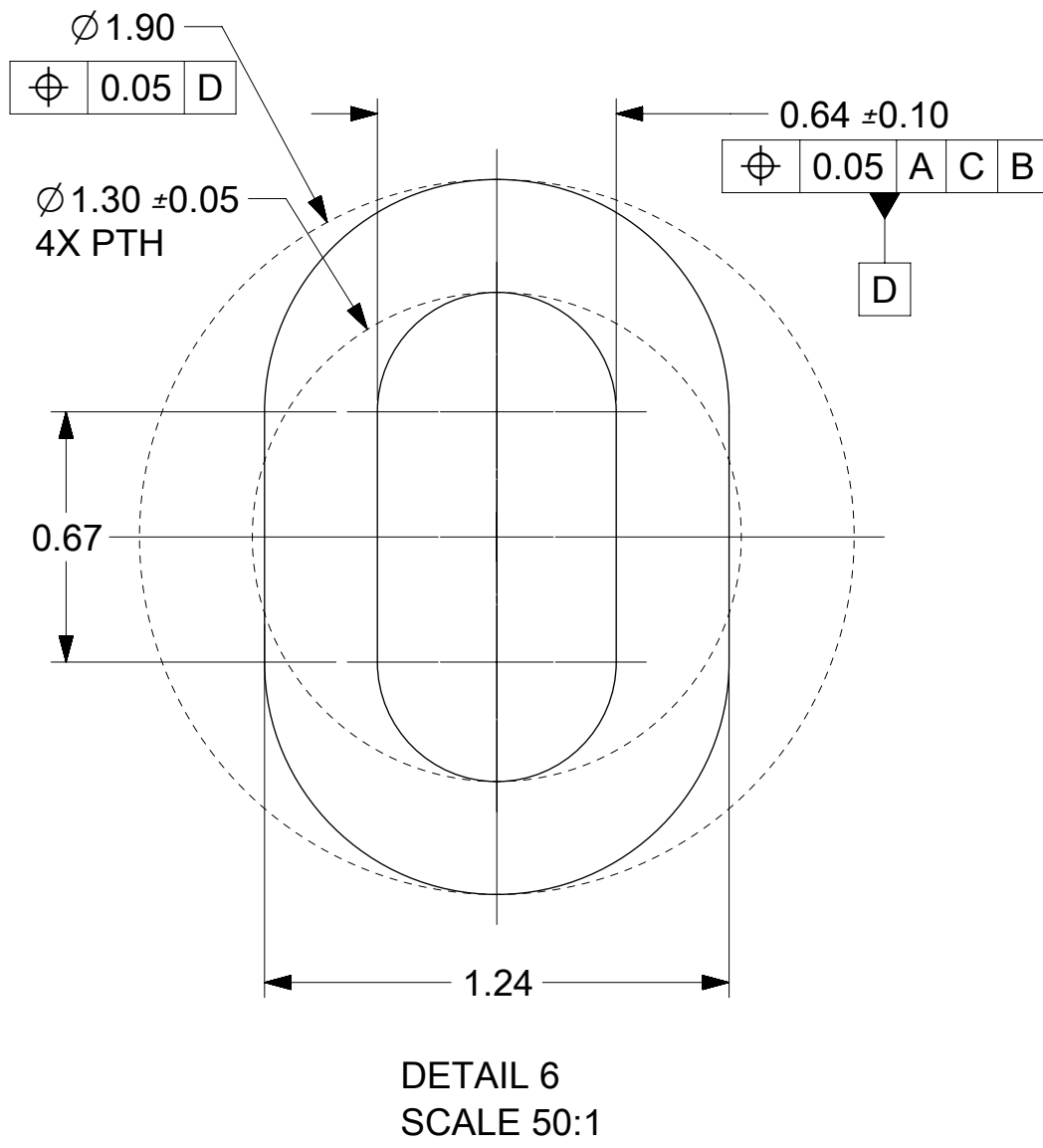
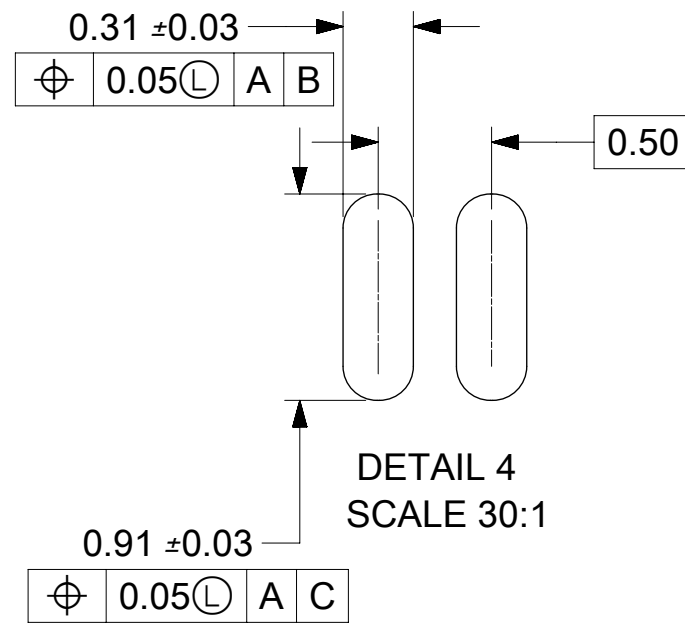
PRE-RELEASE
REFERENCE
USE ONLY

THIS DRAWING CONTAINS INFORMATION THAT IS PROPRIETARY TO MOLEX ELECTRONIC TECHNOLOGIES, LLC AND SHOULD NOT BE USED WITHOUT WRITTEN PERMISSION

SEE REVISION TABLE	2017/05/26	GENERAL TOLERANCES (UNLESS SPECIFIED)		DIMENSION UNITS	SCALE	molex				
		MM	INCH	MM	10:1					
	EC NO:	DRWN: CMN	4 PLACES ±		DRWN BY	DATE	NANO PITCH I/O FIXED 25GB RIGHT ANGLE 4X AND 8X			
	CHKD:	REV:	3 PLACES ±	BJANOWIAK	2015/05/11					
	REV:	APPR:	2 PLACES ± 0.13	CHK'D BY	DATE	PRODUCT CUSTOMER DRAWING				
		1 PLACES ± 0.25	MBANAKIS	2015/09/18						
		0 PLACES ±	ANGULAR TOL = 0.5	APPR BY	DATE	SERIES	MATERIAL NUMBER	CUSTOMER		
			DRAFT WHERE APPLICABLE MUST REMAIN WITHIN DIMENSIONS	DRAWING SIZE	THIRD ANGLE PROJECTION	173162	SEE SHEET 1	GENERAL MARKET		
D				C		DOCUMENT NUMBER	DOC TYPE	DOC PART	SHEET NUMBER	
						SD-173162-0001	PSD	001	5 OF 11	

NOTES:
1. MANUFACTURED DATE CODE (JULIAN CALENDAR) AND PART NUMBER
2. SOLDER TAIL COPLANARITY, 0.10 MAX

80 CIRCUIT TAIL RECOMMENDED FOOTPRINT



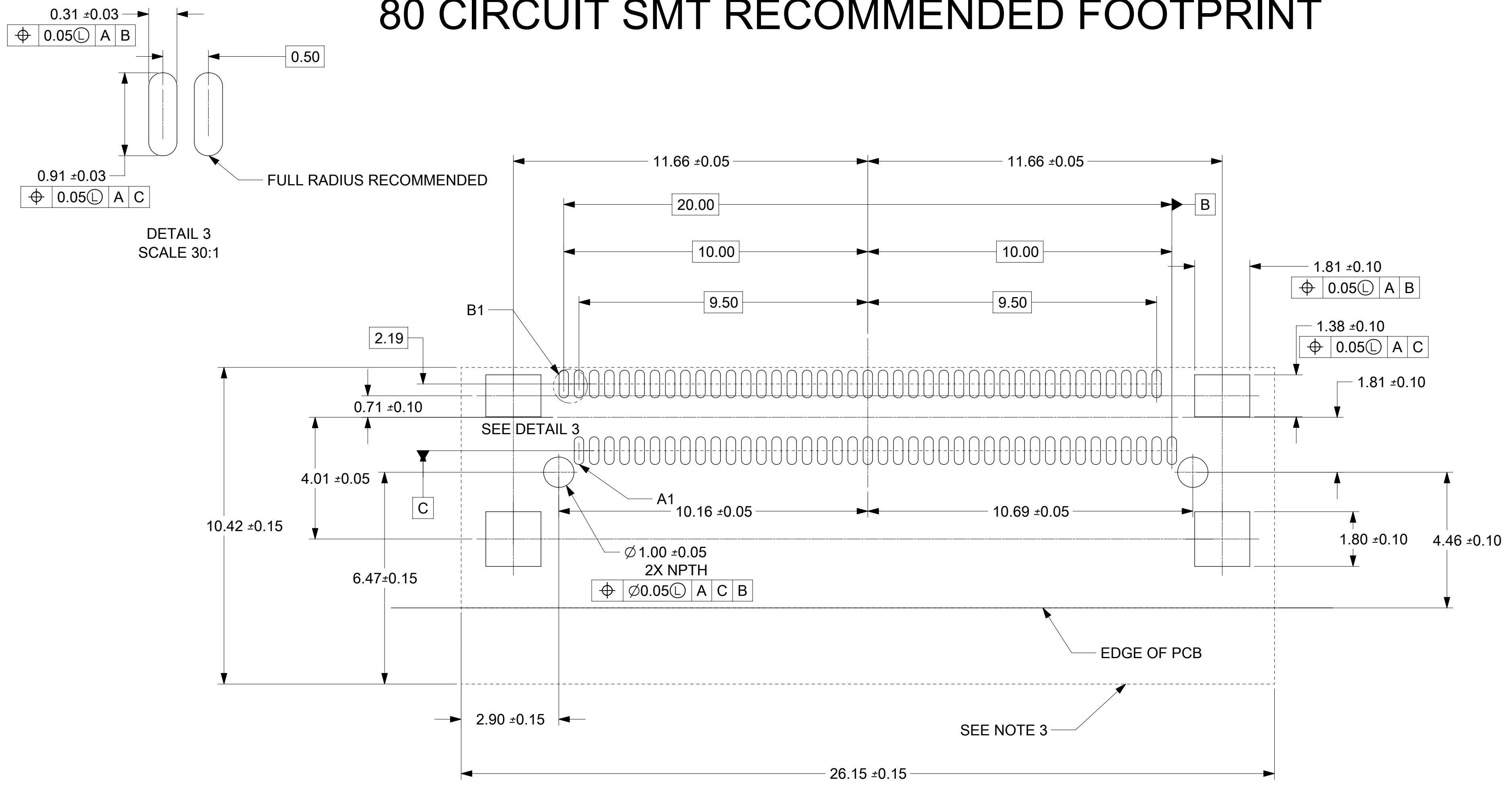
PRE-RELEASE
REFERENCE
USE ONLY

NOTES:

1. MINIMUM RECOMMENDED SPACING BETWEEN ADJACENT CONNECTOR IS 28.50mm
2. MINIMUM RECOMMENDED PCB THICKNESS: 1.57mm
3. CONNECTOR KEEP OUT AREA
4. DATUM -A- ESTABLISHED FROM TOP SURFACE OF PCB

THIS DRAWING CONTAINS INFORMATION THAT IS PROPRIETARY TO MOLEX ELECTRONIC TECHNOLOGIES, LLC AND SHOULD NOT BE USED WITHOUT WRITTEN PERMISSION										
SEE REVISION TABLE	2017/05/26	GENERAL TOLERANCES (UNLESS SPECIFIED)		DIMENSION UNITS	SCALE					
			MM	INCH	MM					10:1
		4 PLACES	±	±	DRWN BY	DATE	NANO PITCH I/O FIXED 25GB RIGHT ANGLE 4X AND 8X			
		3 PLACES	±	±	BJANOWIAK	2015/05/11				
		2 PLACES	±	0.13	±	CHK'D BY	DATE	PRODUCT CUSTOMER DRAWING		
1 PLACES	±	0.25	±							
0 PLACES	±	±	±	APPR BY	DATE	SERIES MATERIAL NUMBER CUSTOMER 173162 SEE SHEET 1 GENERAL MARKET				
				MBANAKIS	2015/09/18					
EC NO:	DRWN:	CHKD:	REV:	APPR:	ANGULAR TOL = 0.5	DRAWING SIZE	THIRD ANGLE PROJECTION	DOCUMENT NUMBER		
D	CMN				DRAFT WHERE APPLICABLE MUST REMAIN WITHIN DIMENSIONS	C		SD-173162-0001		
RELEASE STATUS	ER	RELEASE DATE	20.10.2017	22:17:40	DOC TYPE DOC PART SHEET NUMBER					
					PSD 001 7 OF 11					

80 CIRCUIT SMT RECOMMENDED FOOTPRINT



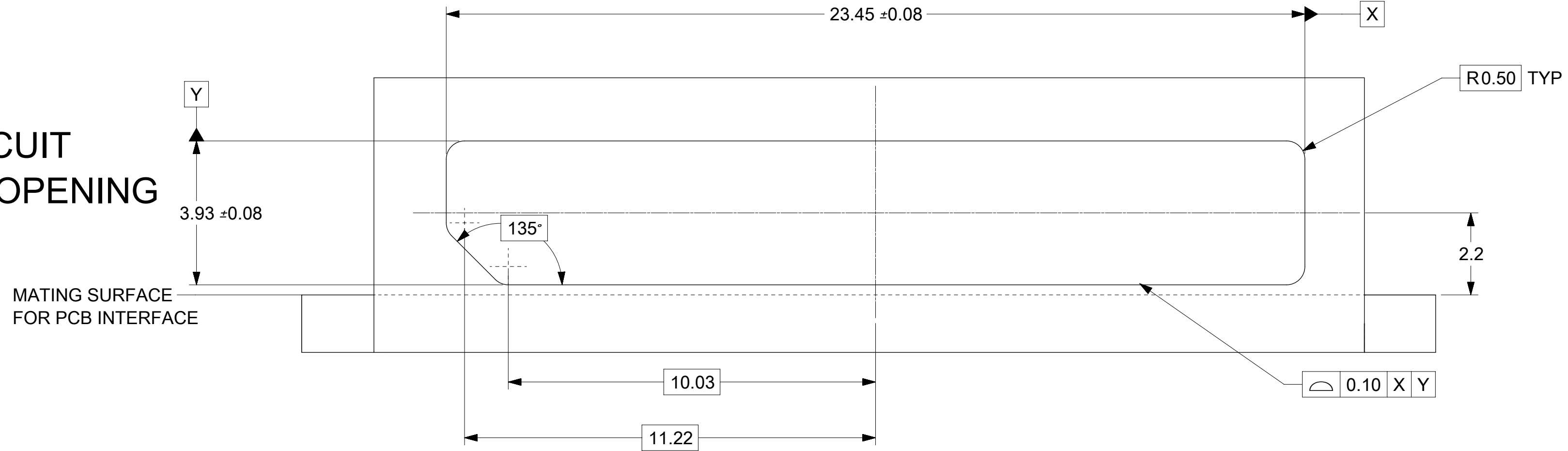
PRE-RELEASE
REFERENCE
USE ONLY

NOTES:

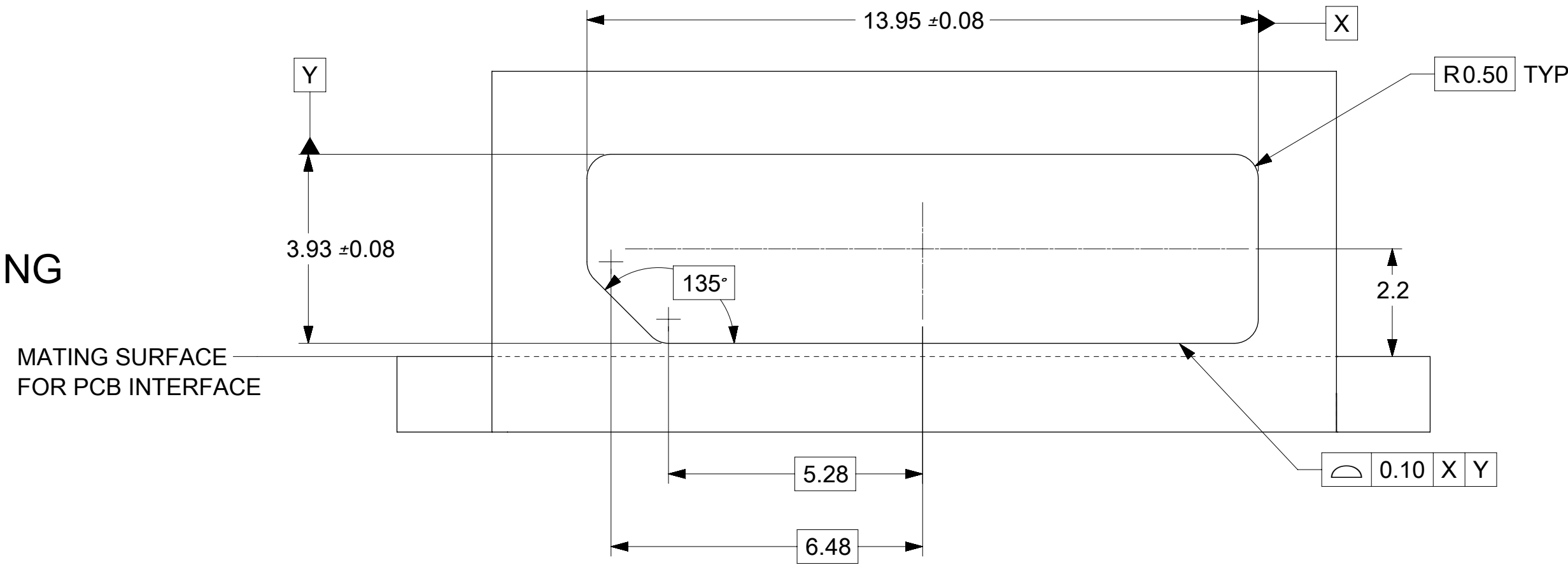
1. MINIMUM RECOMMENDED SPACING BETWEEN ADJACENT CONNECTOR IS 28.50mm
2. MINIMUM RECOMMENDED PCB THICKNESS: 1.57mm
3. CONNECTOR KEEP OUT AREA
4. DATUM -A- ESTABLISHED FROM TOP SURFACE OF PCB

THIS DRAWING CONTAINS INFORMATION THAT IS PROPRIETARY TO MOLEX ELECTRONIC TECHNOLOGIES, LLC AND SHOULD NOT BE USED WITHOUT WRITTEN PERMISSION																
SEE REVISION TABLE	2017/05/26	GENERAL TOLERANCES (UNLESS SPECIFIED)		DIMENSION UNITS		SCALE										
		MM	INCH	MM			10:1									
		4 PLACES	±	±	DRWN BY	DATE		NANO PITCH I/O FIXED 25GB RIGHT ANGLE 4X AND 8X								
		3 PLACES	±	±	BJANOWIAK	2015/05/11										
		2 PLACES	±	0.13	±	CHK'D BY	DATE		PRODUCT CUSTOMER DRAWING							
		1 PLACES	±	0.25	±											
0 PLACES	±	±	±	APPR BY	DATE		SERIES MATERIAL NUMBER CUSTOMER 173162 SEE SHEET 1 GENERAL MARKET									
EC NO: D		DRWN: CMN	CHKD:	REV:	APPR:	ANGULAR TOL = 0.5		DRAWING SIZE		THIRD ANGLE PROJECTION		DOCUMENT NUMBER		DOC TYPE	DOC PART	SHEET NUMBER
						C				SD-173162-0001		PSD	001	9 OF 11		

80 CIRCUIT PANEL OPENING



42 CIRCUIT PANEL OPENING



PRE-RELEASE
REFERENCE
USE ONLY


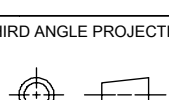
THIS DRAWING CONTAINS INFORMATION THAT IS PROPRIETARY TO MOLEX ELECTRONIC TECHNOLOGIES, LLC AND SHOULD NOT BE USED WITHOUT WRITTEN PERMISSION

SEE REVISION TABLE	2017/05/26	GENERAL TOLERANCES (UNLESS SPECIFIED)		DIMENSION UNITS	SCALE		
	EC NO: DRWN: CMN CHKD: REV APPR:	MM	INCH	MM	10:1		
		4 PLACES ±	±	DRWN BY	DATE		
		3 PLACES ±	±	BJANOWIAK	2015/05/11		
		2 PLACES ±	0.13 ±	CHK'D BY	DATE		
1 PLACES ±	0.25 ±	APPR BY	DATE				
0 PLACES ±	±	MBANAKIS	2015/09/18	PRODUCT CUSTOMER DRAWING			
ANGULAR TOL = 0.5		DRAWING SIZE	THIRD ANGLE PROJECTION	SERIES	MATERIAL NUMBER	CUSTOMER	
DRAFT WHERE APPLICABLE MUST REMAIN WITHIN DIMENSIONS		C		173162	SEE SHEET 1	GENERAL MARKET	
				DOCUMENT NUMBER	DOC TYPE	DOC PART	SHEET NUMBER
				SD-173162-0001	PSD	001	10 OF 11

DATE	REVISION	DESCRIPTION
10/20/2017	D	REMASTERED IN ECTR, REMOVE INSPECTION WINDOWS FOR 80 CIRCUIT SMT AND TH SHELLS

PRE-RELEASE
REFERENCE
USE ONLY

THIS DRAWING CONTAINS INFORMATION THAT IS PROPRIETARY TO MOLEX ELECTRONIC TECHNOLOGIES, LLC AND SHOULD NOT BE USED WITHOUT WRITTEN PERMISSION

SEE REVISION TABLE EC NO: 2017/05/26 DRWN: CMN CHKD: REV / APPR:	GENERAL TOLERANCES (UNLESS SPECIFIED)		DIMENSION UNITS	SCALE	
	ANGULAR TOL ± 0.5 °		mm	1:1	
	4 PLACES ±	DRWN BY	DATE	SVANG01 2016/12/06	
	3 PLACES ±	CHKD BY	DATE	CHKD BY	
	2 PLACES ± 0.13	APPR BY	DATE	TMCCLELL 2017/04/24	
1 PLACE ± 0.25	DRAFT WHERE APPLICABLE MUST REMAIN WITHIN DIMENSIONS		DRAWING SIZE	THIRD ANGLE PROJECTION	SERIES: 173162 MATERIAL NUMBER: SEE TABLE CUSTOMER: GENERAL MARKET
0 PLACES ±	C			DOCUMENT NUMBER: SD-173162-0001 DOC TYPE: PSD DOC PART: 001 SHEET NUMBER: 11 OF 11	