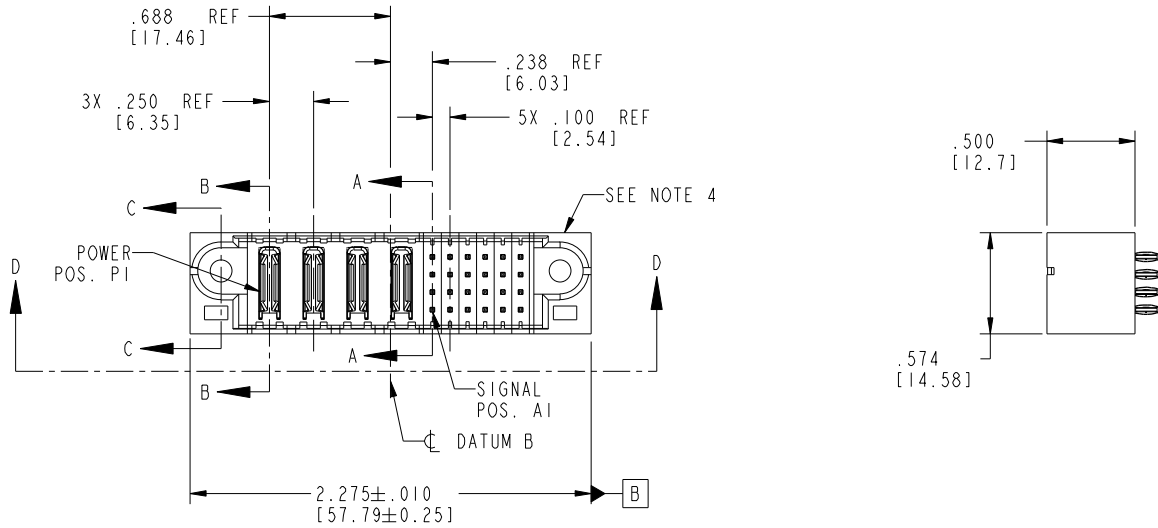


Tous droits strictement réservés. Reproduction ou communication à des tiers interdite sous quelque forme que ce soit sans autorisation écrite du propriétaire. Propriété de c.FCI. Droits de reproduction FCI.



All rights strictly reserved. Reproduction or issue to third parties in any form whatever is not permitted without written authority from the proprietor. Property of FCI. Copyright FCI.

PRODUCT NO.	ROWS	POWER				SIGNAL						E2	
		E1	P1	P2	P3	P4	1	2	3	4	5		6
51952-010... NOTE 3	D C B A												



CODE	DIM "M" MATING LENGTH	CONTACT TYPE
PC	N/A [N/A]	POWER
G	.270 [6.86]	SIGNAL

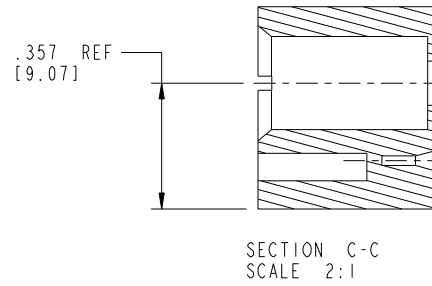
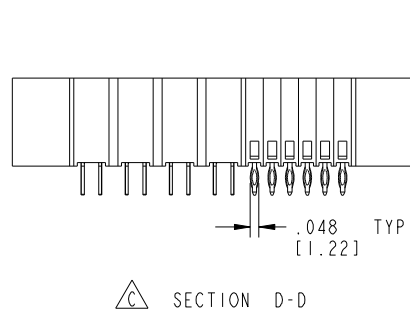
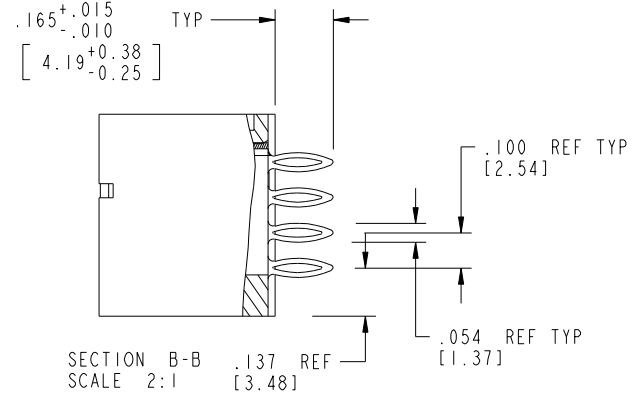
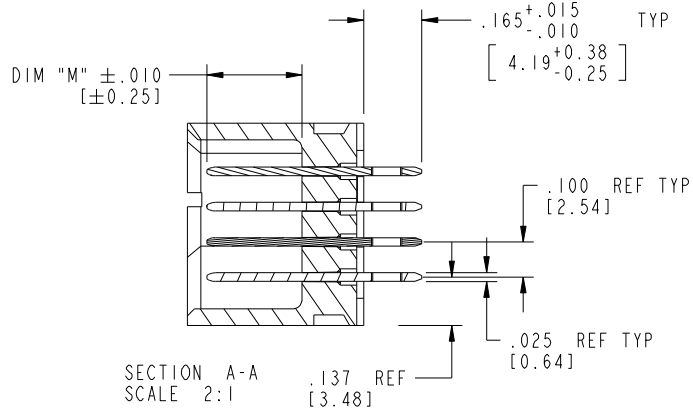
mat'l code		SEE NOTE 2		tolerances unless otherwise specified		CUSTOMER			
ltr	ecn no.	dr	date	linear	.XX±.01/0.X±0.3	COPY		www.fciconnect.com	
A	V21527	CGD	09/24/02	linear	.XXX±.005/0.XX±0.13	projection		title	
B	DG05-0478	Ryan	11/17/05	angles	.XXX±.002/0.XXX±0.051			4P + 24S	
C	DG07-0357	SH	01/02/08	angles	0°±2°			VERTICAL PRESS FIT HEADER	
				dr	C. DAILY 09/24/02	INCH/MM		product family	
				enr	M. MOSTOLLER 09/24/02	scale		PwrBlade	
				chr	M. MOSTOLLER 09/24/02	1:1		code	
				appd	M. MOSTOLLER 09/24/02	A		213	
sheet index		revision	C	C	C	C	size		sheet
		sheet	1	2	3	4	dwg no		1 of 4
							51952-010		

cage code 22526

Tous droits strictement reserves. Reproduction ou communication a des tiers interdicte sous quelque forme que ce soit sans autorisation ecrite du proprietaire. Propriete de c FCI. Droits de reproduction FCI.

All rights strictly reserved. Reproduction or issue to third parties in any form whatever is not permitted without written authority from the proprietor. Property of FCI. Copyright FCI.

PRODUCT NUMBER
559582000001
NOTE 3



mat'l code		SEE NOTE 2		tolerances unless otherwise specified		CUSTOMER		FCJ		www.fciconnect.com	
ltr	ecn no.	dr	date	linear	.XX±.01/0.X±0.3	COPY		title			
C					.XXX±.005/0.XX±0.13	projection		4P + 24S			
				angles	.XXX±.0020/0.XXX±0.051			VERTICAL PRESS FIT HEADER			
				dr	C. DAILY 09/24/02	INCH/MM		product family		PwrBlade	code
				enrg	M. MOSTOLLER 09/24/02	scale		size		dwg no	213
				chr	M. MOSTOLLER 09/24/02	1:1		A		51952-010	sheet
				appd	M. MOSTOLLER 09/24/02						2 of 4
sheet index		revision sheet									

cage code 22526

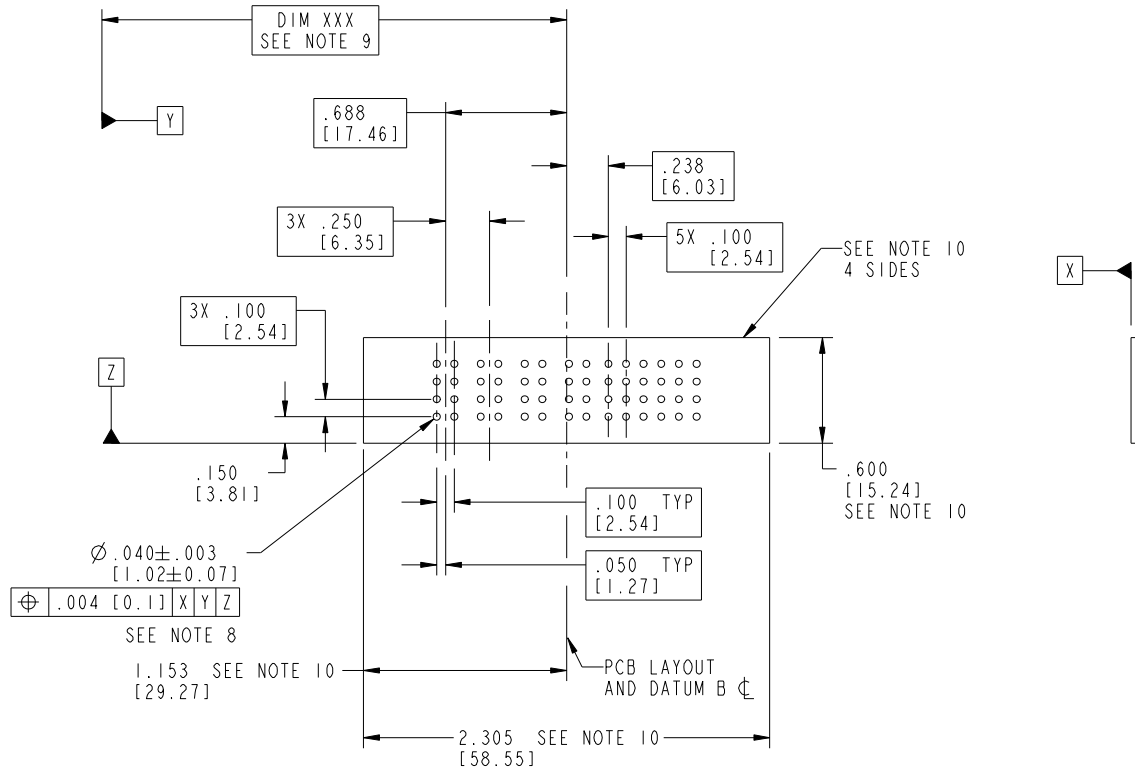
Pro/E

Tous droits strictement réservés. Reproduction ou communication à des tiers interdite sous quelque forme que ce soit sans autorisation écrite du propriétaire. Propriété de c.FCI. Droits de reproduction FCI.



All rights strictly reserved. Reproduction or issue to third parties in any form whatsoever is not permitted without written authority from the proprietor. Property of FCI. Copyright FCI.

PRODUCT NUMBER
51952-010--
NOTE 3



RECOMMENDED PCB LAYOUT

mat'l code		SEE NOTE 2		tolerances unless otherwise specified		CUSTOMER			
ltr	ecn no.	dr	date	linear	.XX±.01/0.X±0.3	COPY		www.fciconnect.com	
C				projection	.XXX±.005/0.XX±0.13	title		4P + 24S	
				angles	.XXX±.0020/0.XXX±0.051	projection symbol		VERTICAL PRESS FIT HEADER	
				dr	0°±?	product family		PwrBlade	
				enrg	C. DAILY 09/24/02	scale		code	
				chr	M. MOSTOLLER 09/24/02	INCH/MM		213	
				appd	M. MOSTOLLER 09/24/02	size		dwg no	
sheet index	revision sheet					1:1		A	
						A		51952-010	
						3 of 4			

cage code 22526

Pro/E

Tous droits strictement reserves. Reproduction ou communication a des tiers interdite sous quelque forme que ce soit sans autorisation écrite du propriétaire. Propriete de c FCI. Droits de reproduction FCI.



All rights strictly reserved. Reproduction or issue to third parties in any form whatever is not permitted without written authority from the proprietor. Property of FCI. Copyright FCI.

PRODUCT NUMBER
51952-010-001

NOTES:

1. DIMENSIONS AND TOLERANCES ARE IN ACCORDANCE WITH ASME Y14.5M, 1994 UNLESS OTHERWISE SPECIFIED.

CONNECTOR NOTES:

2 HOUSING MATERIAL: UL 94 V-0 GLASS FILLED HIGH-TEMP THERMOPLASTIC
 POWER CONTACT MATERIAL: COPPER ALLOY
 SIGNAL PIN MATERIAL: COPPER ALLOY

3. PLATING:

△ 51952-010, 51952-010LF, PLATING SPEC. SEE PRINT: I0064183

4 MANUFACTURER'S NAME, P/N, AND DATE CODE TO APPEAR ON THIS SURFACE.

5. PRODUCT SPECIFICATION GS-12-149.
 APPLICATION SPECIFICATION BUS-20-067.

PCB NOTES:

6. ALL HOLE DIAMETERS ARE FINISHED HOLE SIZE.

7. MOUNTING HOLES, WHERE APPLICABLE, ARE UNPLATED.

8 $\varnothing .0453 \pm .0010$ [1.151 ± 0.025] DRILLED HOLES PLATED WITH
 $.0003$ [0.008] MIN SnPb OVER $.001$ [0.03]
 TO $.003$ [0.08] Cu PLATING TO ACHIEVE
 $\varnothing .040 \pm .003$ [$1.02 \pm .07$] HOLE.

9 "DIM XXX" TO BE DETERMINED BY THE CUSTOMER.

10 CONNECTOR KEEP-OUT ZONE.

11. FOR PRESS FIT APPLICATION,
 USE FCI CAM TOOL 430169-XXX.

12. A △ SYMBOL WILL BE NEXT TO ANY DIMENSION,
 VIEW, OR NOTE WHICH HAS BEEN
 MODIFIED WITH CURRENT DRAWING REVISION.

mat'l code				SEE NOTE 2		tolerances unless otherwise specified		CUSTOMER		FCI		www.fciconnect.com		
ltr	ecn no.	dr	date	linear	.XX±.01/0.X±0.3		COPY		projection	title			4P + 24S VERTICAL PRESS FIT HEADER	
C					.XXX±.005/0.XX±0.13		A			product family		code		
					.XXX±.0020/0.XXX±0.051		INCH/MM			PwrBlade		213		
				angles	0°±2°		scale		size		sheet			
				dr	C. DAILY 09/24/02		1:1		dwg no		4 of 4			
				enrg	M. MOSTOLLER 09/24/02		A		51952-010					
				chr	M. MOSTOLLER 09/24/02									
				appd	M. MOSTOLLER 09/24/02									
sheet index	revision sheet													

cage code 22526

Pro/E