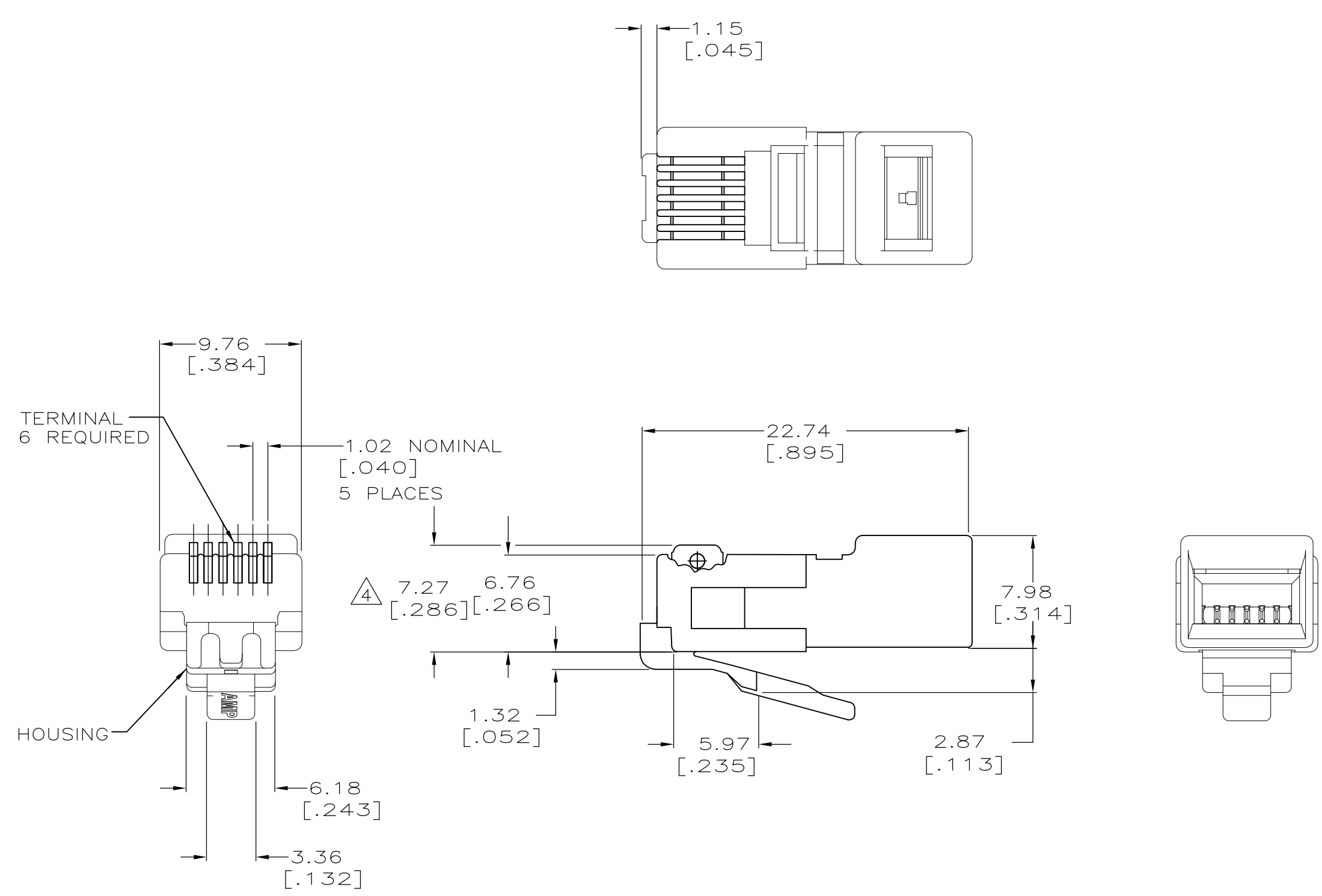


LOC	DIST	REVISIONS			
P	LTR	DESCRIPTION	DATE	DWN	APVD
J		REV: ECO-12-012703	11JUL2012	GG	JG



- 1 DIMENSIONS ARE MAXIMUM UNLESS OTHERWISE SPECIFIED.
- 2 MATERIAL: HOUSING-POLYCARBONATE, CLEAR
 TERMINAL- PHOSPHOR BRONZE, PLATED WITH 1.27 μ m [.000050] MINIMUM THICK GOLD IN LOCALIZED GOLD PLATE AREA, OVER 2.54 μ m [.000100] MINIMUM THICK NICKEL UNDERPLATE.
- 3. PLUG WILL ACCEPT 24 OR 26 AWG SOLID WIRE, ϕ 0.99 [.039] MAXIMUM INSULATION DIAMETER, WITH A 4.96 [.195] DIAMETER MAXIMUM JACKET.
- 4 TERMINATED DIMENSION 6.15 [.242] MAXIMUM.
- 7 500 ASSEMBLIES PER PACKAGE.
- 8 100 ASSEMBLIES PER PACKAGE.

8	5-555426-3
7	5-555426-2
PACKAGED	PART NO

THIS DRAWING IS A CONTROLLED DOCUMENT.		DWN B. SIMPSON 11-10-93	Tyco Electronics Corporation Harrisburg, PA 17105-3608	
DIMENSIONS: mm [INCHES]		CHK C. WHITT 11-18-93	NAME LAURER/MCGRATH	
TOLERANCES UNLESS OTHERWISE SPECIFIED:		APVD 11-23-93	PRODUCT SPEC 108-1163	
0 PLC ± -		APPLICATION SPEC 114-6016		
1 PLC ± -		WEIGHT -		
2 PLC ± -		SIZE A2		
3 PLC ± -		CAGE CODE 00779		
4 PLC ± -		DRAWING NO 555426		
ANGLES ± -		RESTRICTED TO -		
MATERIAL		CUSTOMER DRAWING		
FINISH		SCALE 4:1 SHEET 1 OF 1 REV J		