

THIS COPY IS PROVIDED ON A RESTRICTED BASIS AND IS NOT TO BE USED IN ANY WAY DETRIMENTAL TO THE INTERESTS OF PANDUIT CORP.

Material	High Conductivity Seamless Copper Tube
Plating	Electro-Tin
UL Listed Wire Connector	Yes, for applications up to 35kv. Consult cable manufacturer for voltage stress relief instructions with applications greater than 2000 volts.
UL Temperature Rating	90° C
C.S.A Certified Wire Connector	Yes

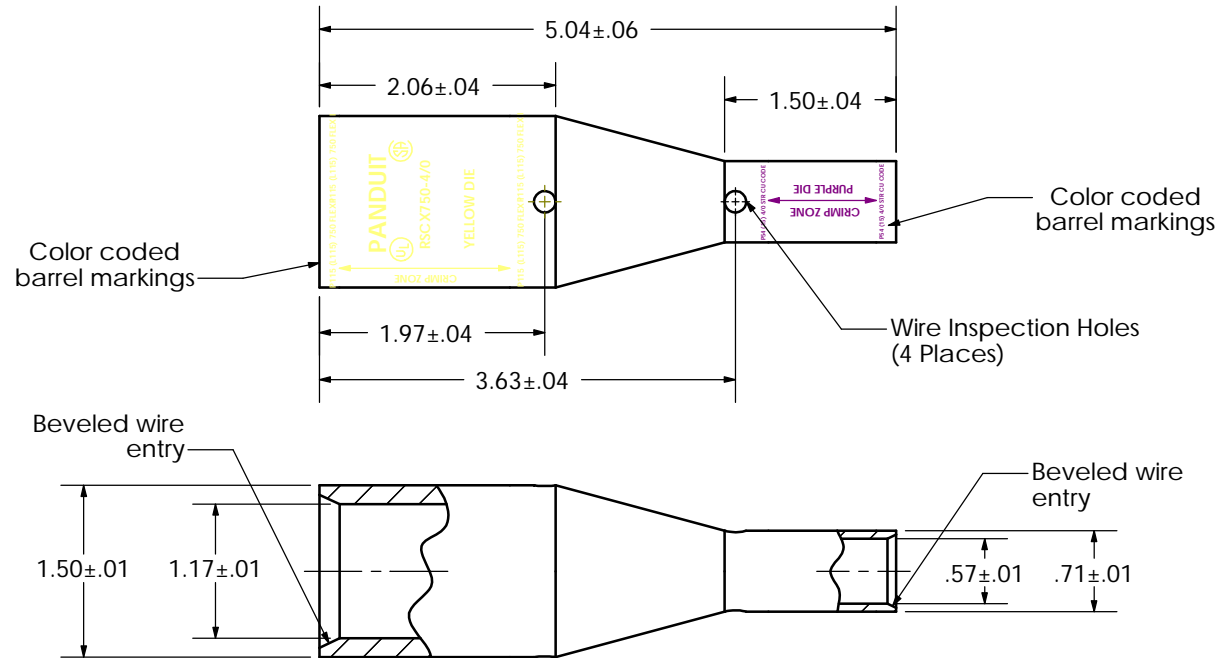
	From	To
Wire Sizes	750 kcmil	4/0 AWG
Wire Types	Stranded Copper Flex; Class I	Stranded Copper; Class B: Compact, Compressed or Concentric, Class C: Concentric
Wire Strip Lengths	2.0 in.	1-5/8 in.
Panduit Color Code on Barrels	YELLOW	PURPLE
Panduit Die Index No. on Barrels	P115	P54
Alternate Industry Die Index No. () on Barrels	(L115)	(15)



CERTIFIED



LISTED Wire Connector



05	4/04	JHNU	CSH
REV	DATE	BY	CHK

Panduit Color Code on Barrel in "From" column was ORANGE; now YELLOW. Panduit Die Index No. on Barrel in "From" column was P107; now P115. Alternate Industry Die Index No. in "From" column was (25); now (L115).			
DESCRIPTION			

11678
ECN

PANDUIT CORP. TINLEY PARK, ILLINOIS

RSCX750-4/0-3
Copper Reducing Splice With Inspection Holes

SCALE N/A	DRAWING NO / CAD FILE RSCX750-4_0-CUST
------------------	---