

DESCRIPTION

Demonstration circuit 821 is a precision dual RF power detector featuring the LTC®5533.

The LTC5533 is a dual channel RF power detector for RF applications operating in the 300MHz to 11GHz range. Two independent temperature compensated Schottky diode peak detectors and buffer amplifiers are combined in a small 4mm x 3mm DFN package.

The RF input voltage is peak detected using on-chip Schottky diodes. The detected voltage is buffered and supplied to the V_{OUT} pins. A power saving shut-

down mode reduces current to less than 2 μ A/channel. The initial output starting voltages of 130mV \pm 35mV can be precisely adjusted using the V_{OS} pins.

The LTC5533 operates with input power levels from -32dBm to 12dBm.

Design files for this circuit board are available. Call the LTC factory.

LTC is a trademark of Linear Technology Corporation

Table 1. Typical Performance Summary ($V_{CC} = 3.6V$, $\overline{SHDN} = 3V$, $T_A = 25^\circ C$, source impedance = 50 Ω , unless otherwise noted. Test circuit shown in Figure 2.)

PARAMETER	CONDITION	VALUE
V_{CC} Operating Voltage		2.7V to 6V
I_{VCC} Operating Current, per channel	$I_{VOUT} = 0mA$	0.45mA
I_{VCC} Shutdown Current, per channel	$\overline{SHDN} = LO$	0.01 μ A
\overline{SHDN} Voltage, Chip Disabled	$V_{CC} = 2.7V$ to 6V	0.35V max
\overline{SHDN} Voltage, Chip Enabled	$V_{CC} = 2.7V$ to 6V	1.4V min
\overline{SHDN} Input Current, per channel	$\overline{SHDN} = 3.6V$	22 μ A
RF_{IN} Input Frequency Range		300MHz to 11GHz
RF_{IN} Input Power Range	RF Frequency = 300MHz to 7GHz, $V_{CC} = 2.7V$ to 6V	-32dBm to 12dBm
Channel to Channel Isolation	$f = 2GHz$	45dB
V_{OS} Voltage Range		0V to 1V
V_{OS} Input Current	$V_{OS} = 1V$	-0.5 μ A to 0.5 μ A
V_{OUT} Start Voltage (No RF Input)	$R_{LOAD} = 2k\Omega$, $V_{OS} = 0V$ $\overline{SHDN} = LO$	110mV to 150mV 1mV
V_{OUT} Output Current	$V_{OUT} = 1.75V$, $V_{CC} = 2.7V$, $\Delta V_{OUT} < 10mV$	4mA
V_{OUT} Load Capacitance		33pF max
V_{OUT} Bandwidth	$C_{LOAD} = 33pF$, $R_{LOAD} = 2k\Omega$	2MHz
V_{OUT} Slew Rate	$V_{RFIN} = 1V$ Step, $C_{LOAD} = 33pF$, $R_{LOAD} = 2k\Omega$	3V/ μ s
V_{OUT} Noise	$V_{CC} = 3V$, Noise BW = 1.5MHz, 50 Ω RF Input Termination	1mV _{P-P}
V_{OUT} Enable Time	$\overline{SHDN} = LO$ to HI, $C_{LOAD} = 33pF$, $R_{LOAD} = 2k$	8 μ s

QUICK START PROCEDURE

Demonstration circuit 821 is easy to set up to evaluate the performance of the LTC5533. Refer to Figure 1 for proper measurement equipment setup and follow the procedure below:

1. Connect all DC power supplies' negative (-) outputs to demo board Gnd test points (E5 and E10).
2. Connect V_{CC} DC power supplies' positive (+) outputs (2.7V to 6V) to demo board V_{CC} test points (E1 and E6).
3. Connect V_{OS} DC power supplies' positive (+) outputs (0V to 1V) to demo board V_{OS} test points (E3 and E9).
4. Connect voltmeters' negative (-) leads to demo board Gnd test points (E5 and E10).

NOTE: Do not exceed 6.5V, the absolute maximum supply voltage.

5. Connect voltmeters' positive (+) leads to the demo board Vout test points (E2 and E7).
6. Connect RF signal generators' outputs to demo board RF in ports (SMA connectors J1 and J2) via coaxial cables.
7. Using jumper cables, connect demo board V_{CC} test points (E1 and E6) to \overline{SHDN} test points (E4 and E8). Now both the detectors are enabled (on) and are ready for measurement.

NOTE: Make sure that the power is not applied to the \overline{SHDN} test points before it is applied to the V_{CC} test points. The voltages on the \overline{SHDN} test points must never exceed V_{CC} .

8. Apply RF input signals and measure Vout DC voltages.

NOTE: Do not exceed +12dBm, the absolute maximum RF input power.

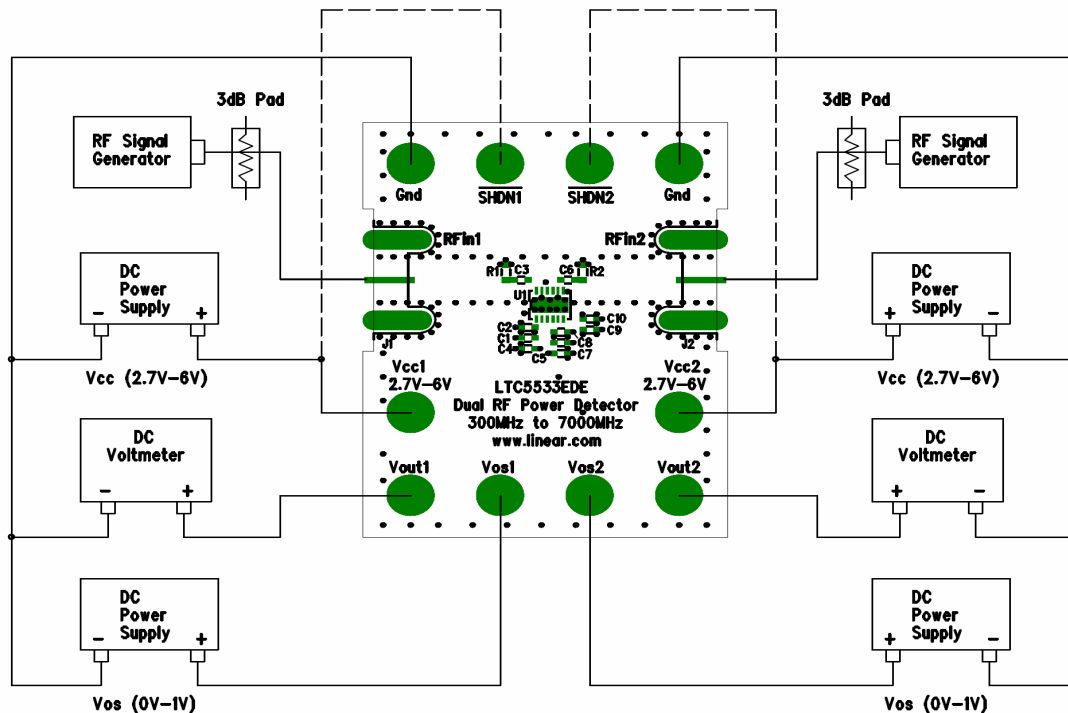
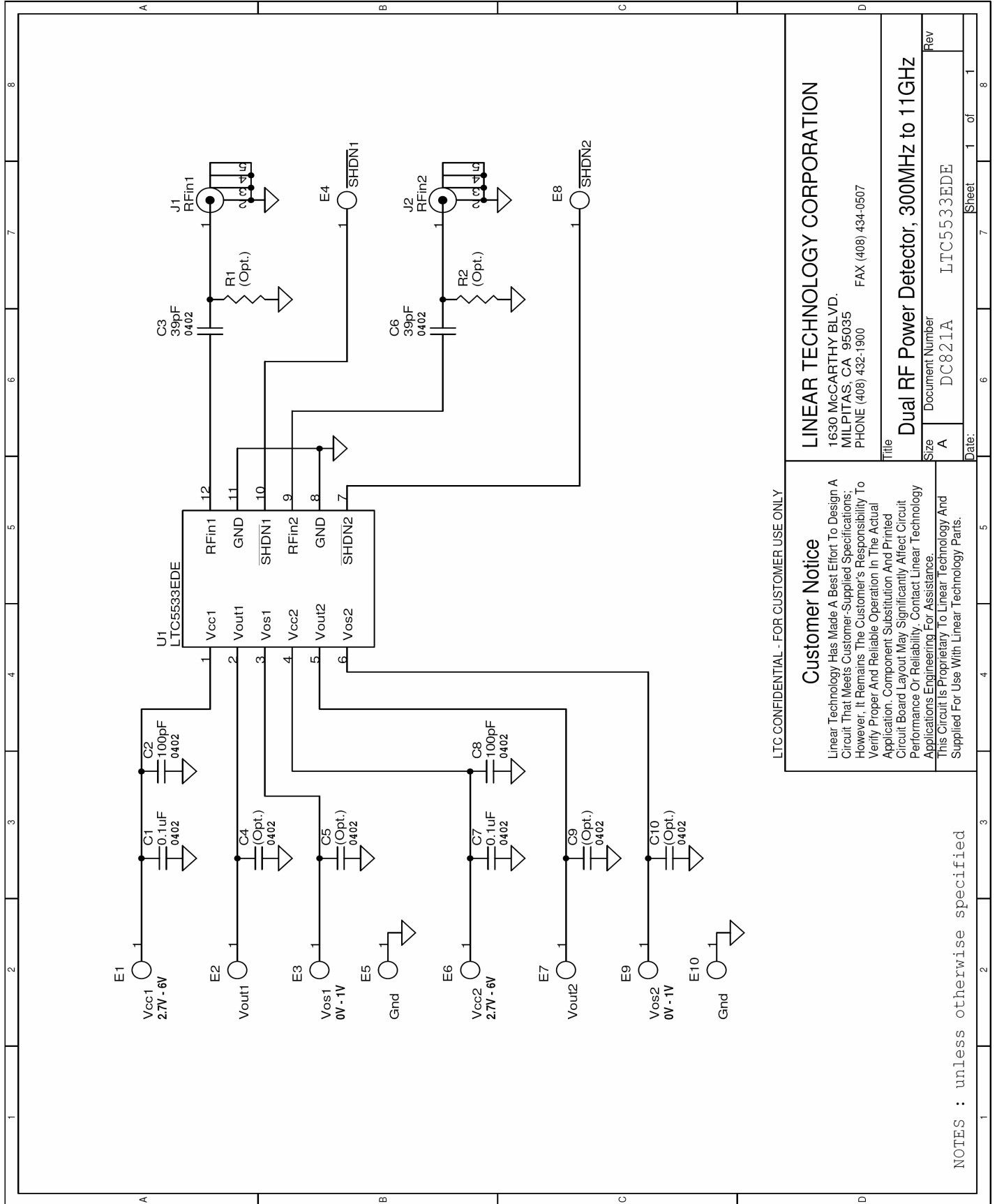


Figure 1. Proper Measurement Equipment Setup

QUICK START GUIDE FOR DEMONSTRATION CIRCUIT 821

300MHZ TO 11GHZ PRECISION DUAL RF POWER DETECTOR



LTC CONFIDENTIAL - FOR CUSTOMER USE ONLY

Customer Notice

Linear Technology Has Made A Best Effort To Design A Circuit That Meets Customer-Supplied Specifications. However, It Remains The Customer's Responsibility To Verify Proper And Reliable Operation In The Actual Application. Component Substitution And Printed Circuit Board Layout May Significantly Affect Circuit Performance Or Reliability. Contact Linear Technology Applications Engineering For Assistance. This Circuit Is Proprietary To Linear Technology And Supplied For Use With Linear Technology Parts.

LINEAR TECHNOLOGY CORPORATION

1630 MCCARTHY BLVD.
MILPITAS, CA 95035
PHONE (408) 432-1900 FAX (408) 434-0507

Title		Dual RF Power Detector, 300MHz to 11GHz	
Size	Document Number	Rev	
A	DC821A	LTC5533EDE	
Date:	Sheet	1	of 8

NOTES : unless otherwise specified