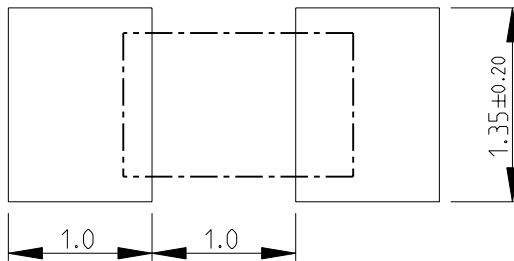
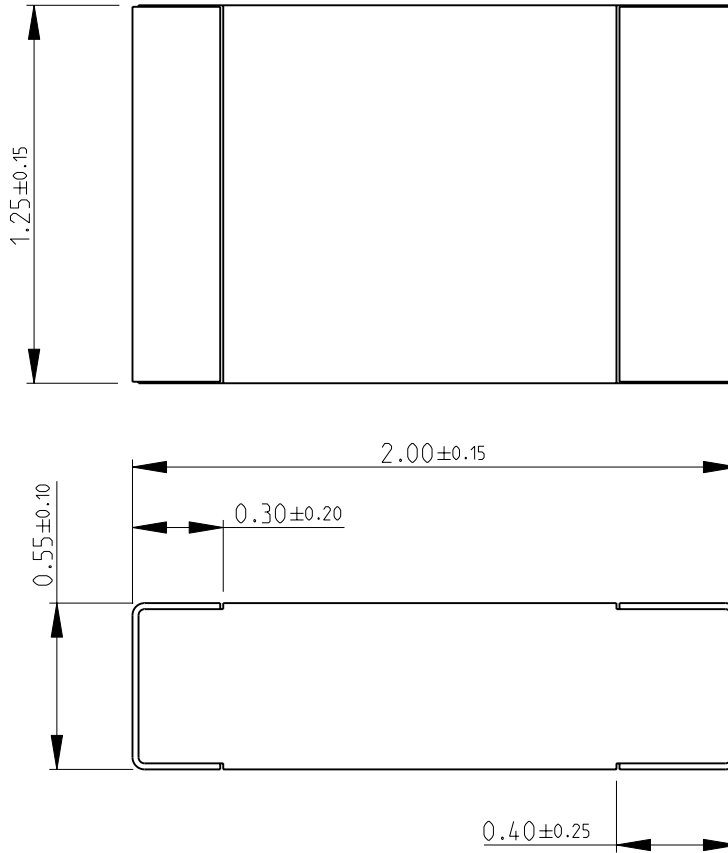


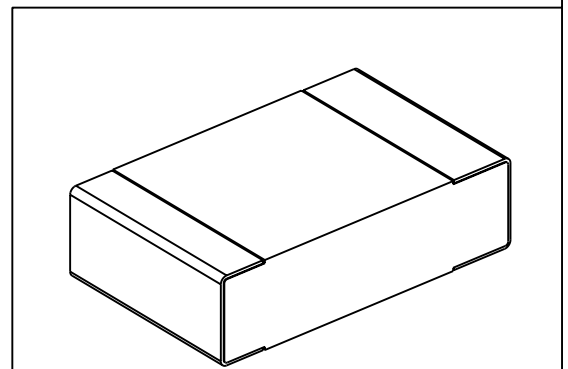
LOC	DIST	REVISIONS					
E	B	P	LTR	DESCRIPTION	DATE	DWN	APVD
			BA	NEW RELEASE	18-FEB-10	MRS	St.P

FOR FURTHER INFORMATION SEE DATA SHEET FOR  
RN73 SERIES-HIGH PRECISION RESISTORS (SMD)



RECOMMENDED LAND PATTERN

RoHS Compliant



SCALE 25:1

2010

RELEASED FOR PUBLICATION

THIS DRAWING IS UNPUBLISHED.

BY TYCO ELECTRONICS CORPORATION. ALL RIGHTS RESERVED.

DIMENSIONS: mm	DWN	MAHARUDRA	18-FEB-10	MATERIAL	-	FINISH	-
	CHK	ALLAN.P	18-FEB-10	Tyco Electronics Corporation Dorcan, Swindon, SN3 5HH			
TOLERANCES UNLESS OTHERWISE SPECIFIED:	APVD	STEPHEN.P	18-FEB-10				
0 PLC ±0.2	PRODUCT SPEC	-	-	SIZE	CAGE CODE	DRAWING NO	RESTRICTED TO
1 PLC ±0.1	APPLICATION SPEC	-	-	A 4	00779	© = 1614532	-
2 PLC ±-	WEIGHT	-	-	CUSTOMER DRAWING			SCALE
3 PLC ±-							40:1
4 PLC ±-							SHEET
ANGLES ±5°							1 OF 1
							REV
							BA