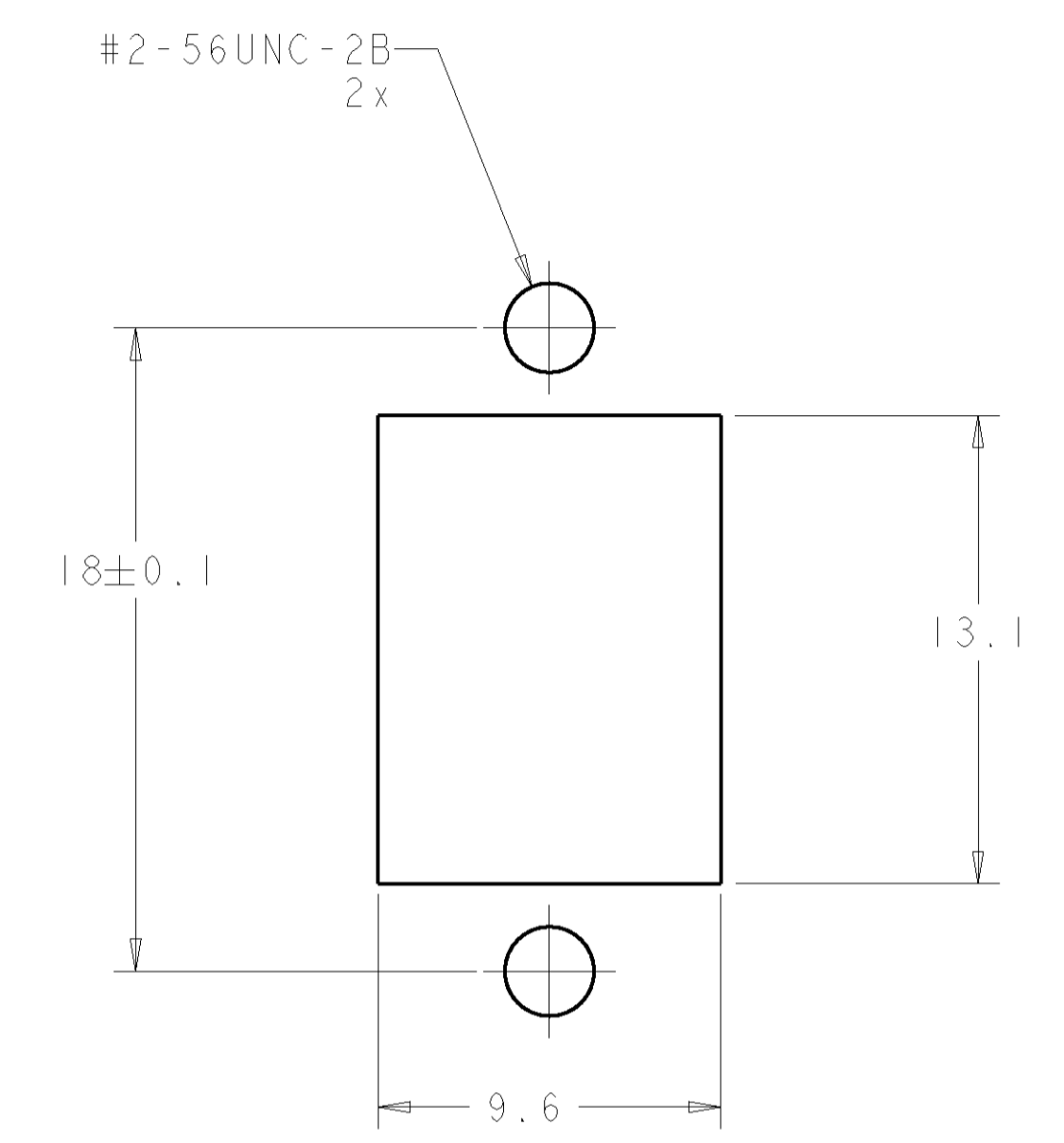
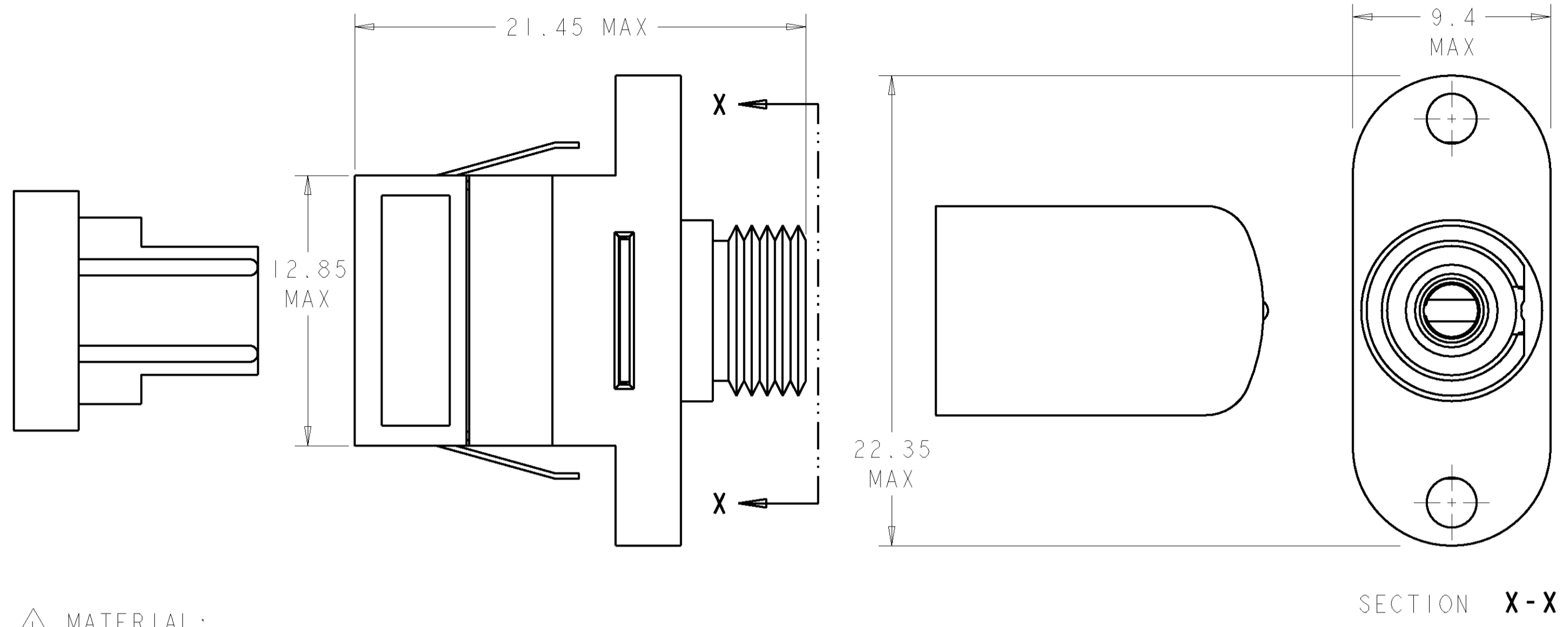


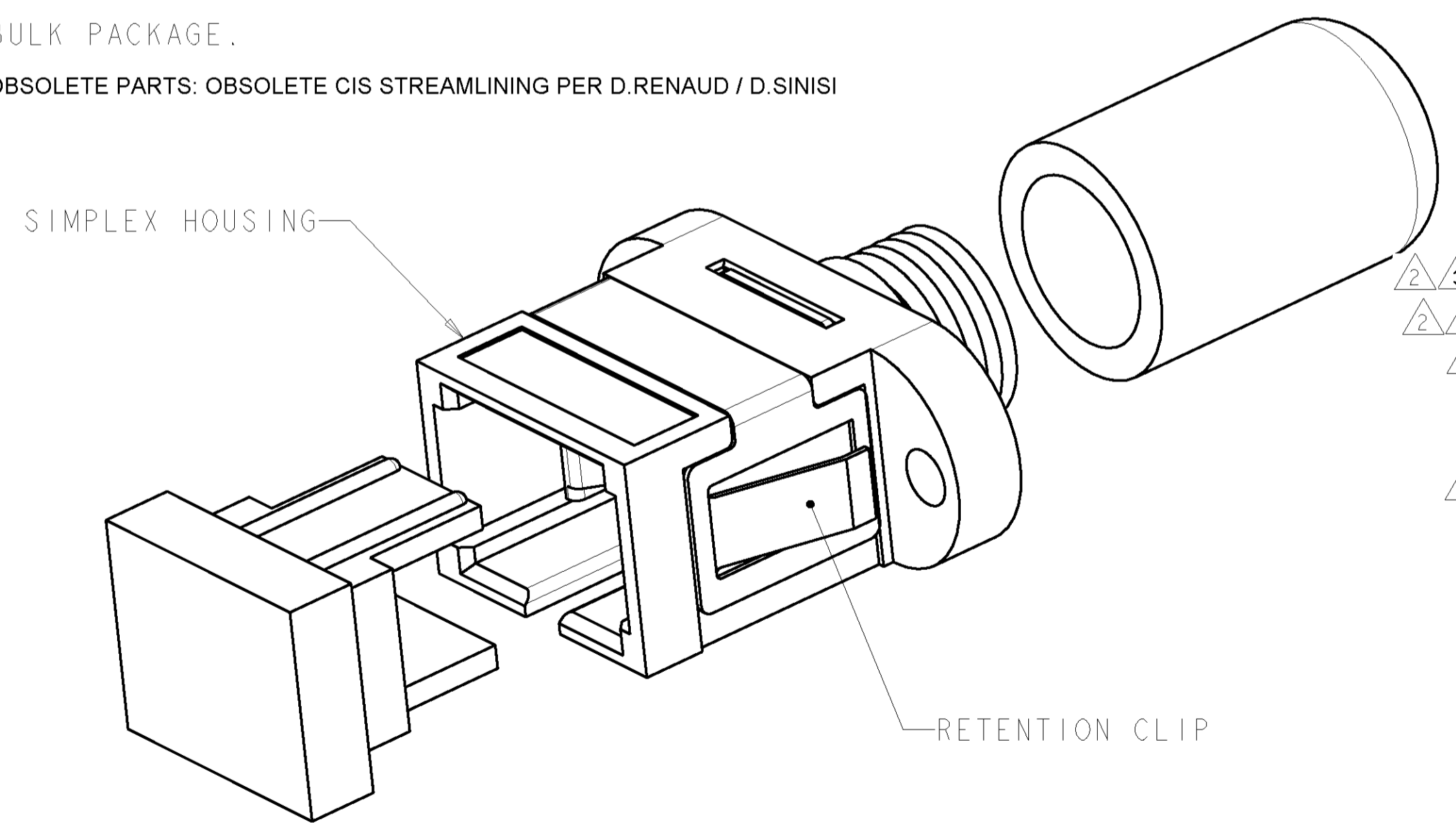
THIS DRAWING IS UNPUBLISHED. RELEASED FOR PUBLICATION 20
 © COPYRIGHT 20 BY TYCO ELECTRONICS CORPORATION. ALL RIGHTS RESERVED.

LOC	DIST	REVISIONS			
P	LTR	DESCRIPTION	DATE	DWN	APVD
		M	REVISE PER 0A00-0549-04	02NOV2004	BB SM
		N	REVISE PER ECR-08-000844	23JAN2008	BB SM
		N1	REVISED PER ECO-10-000445	04FEB10	KK HMR



1 MATERIAL:
 HOUSING: PBT-GF30, SEE DASH NUMBERS FOR COLOR.*
 RETAINER: PEI-GF30, COLOR: BLACK.*
 RETENTION CLIP: STAINLESS STEEL.
 ALIGNMENT SLEEVE: SEE DASH NUMBERS.
 PROTECTIVE CAP: VINYL.
 PROTECTIVE COVER: TPE, COLOR: BLACK.*
 *UL94 V-0 RATED AT QUALIFYING THICKNESS.

2 BULK PACKAGE.
 3 OBSOLETE PARTS: OBSOLETE CIS STREAMLINING PER D.RENAUD / D.SINISI



	NONE	CERAMIC	BLACK	1-502781-4	
	NONE	METAL	BLACK	1-502781-3	
2 3	SUPERSEDED BY 1-5502781-0	RETENTION CLIP	CERAMIC	BLACK	1-502781-0
2 3	SUPERSEDED BY 5502781-8	RETENTION CLIP	METAL	BLUE	502781-8
3	SUPERSEDED BY 5502781-6	RETENTION CLIP	CERAMIC	BEIGE	502781-6
		RETENTION CLIP	CERAMIC	BLUE	502781-5
		RETENTION CLIP	CERAMIC	BLACK	502781-4
3	SUPERSEDED BY 5502781-3	RETENTION CLIP	METAL	BEIGE	502781-3
		RETENTION CLIP	METAL	BLUE	502781-2
		RETENTION CLIP	METAL	BLACK	502781-1
	INCLUDED HARDWARE	ALIGNMENT SLEEVE	COLOR	PART NUMBER	

<small>THIS DRAWING IS A CONTROLLED DOCUMENT FOR TYCO ELECTRONICS CORPORATION. IT IS SUBJECT TO CHANGE AND THE CONTROLLING ENGINEERING ORGANIZATION SHOULD BE CONTACTED FOR THE LATEST REVISION.</small>		DWN B. BRIGGS 02NOV2004 CHK S. MILLER 02NOV2004 APVD S. BUCHTER 02NOV2004	Tyco Electronics Harrisburg, PA 17105-3608
DIMENSIONS: mm	TOLERANCES UNLESS OTHERWISE SPECIFIED: 0 PLC ± 1 PLC ±0.1 2 PLC ±0.05 3 PLC ± 4 PLC ± ANGLES ± FINISH	PRODUCT SPEC APPLICATION SPEC WEIGHT	NAME RECEPTACLE ASSEMBLY, AMP SC TO FC
MATERIAL 1		CUSTOMER DRAWING	SIZE A2 CAGE CODE 00779 DRAWING NO. C-502781 RESTRICTED TO
AMP 1471-9 REV 31MAR2000		SCALE 5:1	SHEET 1 OF 1 REV N1