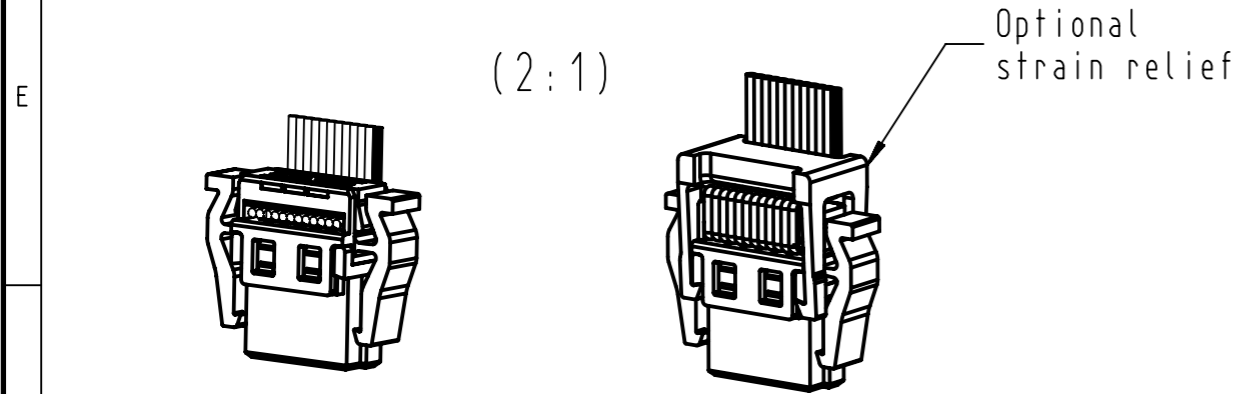
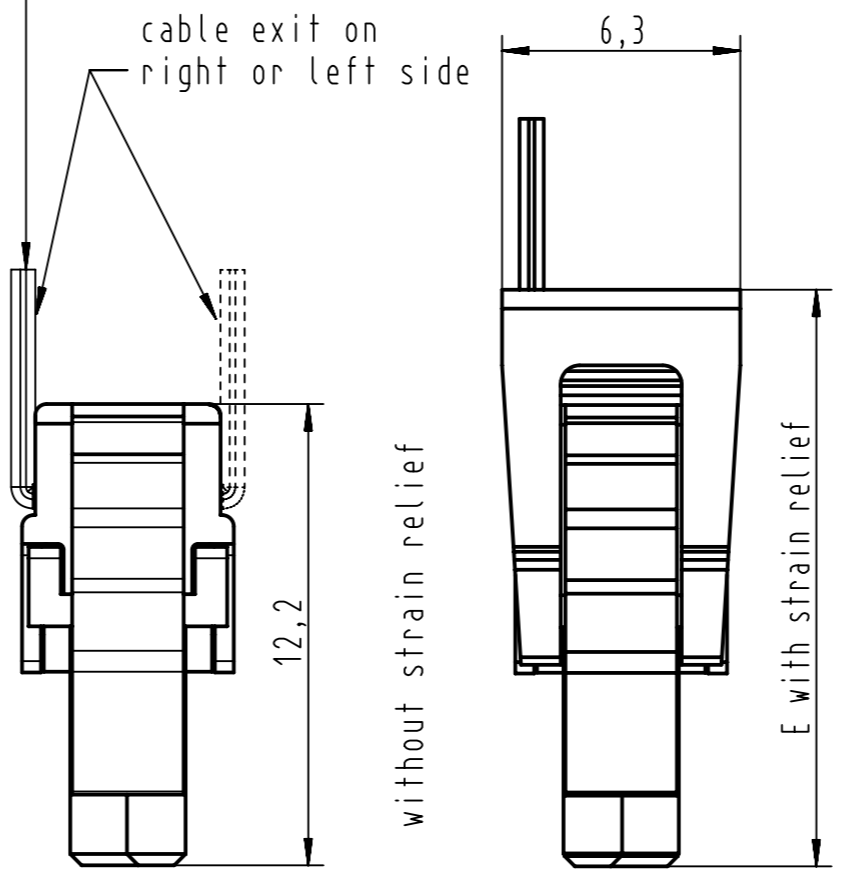
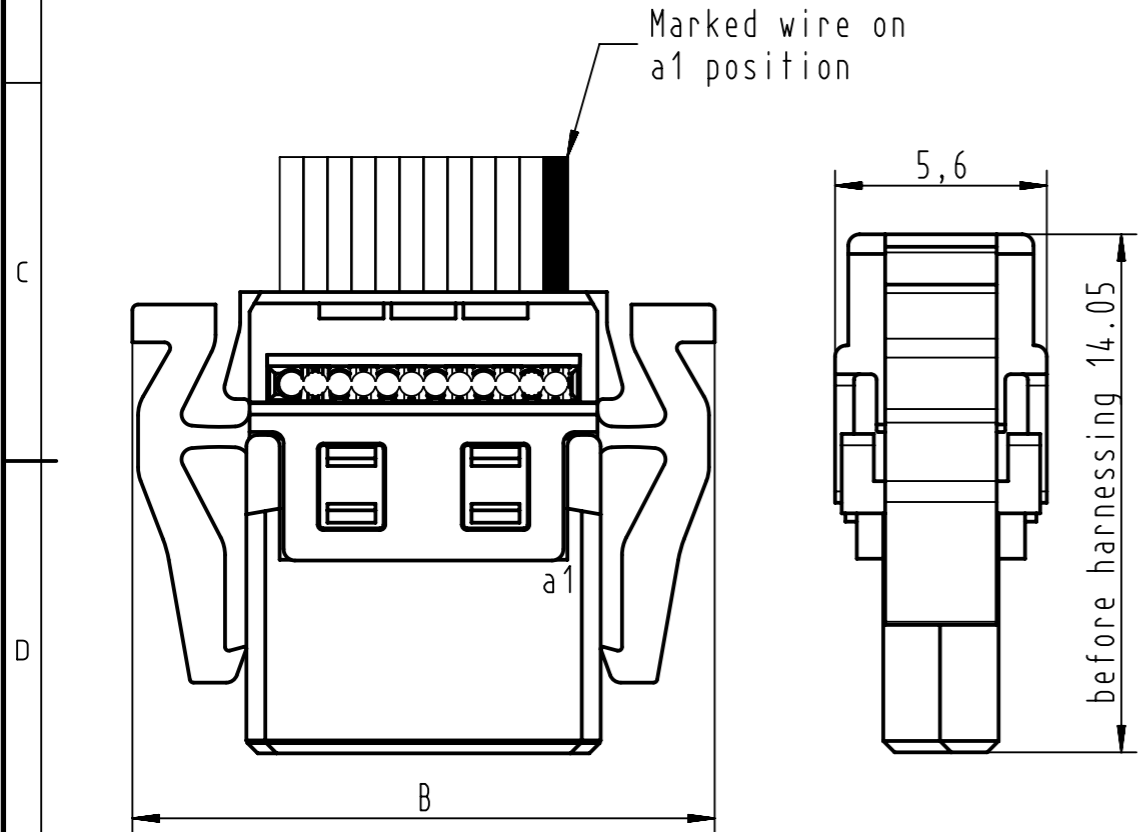


PVC FLAT CABLE : AWG 30/1 (solid)
 AWG 30/7 (stranded)
 PTFE FLAT CABLE : AWG 30/1 (solid)
 Ø 0.55 mini - Ø 0.75 maxi



Nb of contacts	Part number	A	B	C	D	E
006	15 29 006 X50X 000	2.54	11.59	5.56	4.56	15
008	15 29 008 X50X 000	3.81	12.86	6.83	5.83	15
010	15 29 010 X50X 000	5.08	14.13	8.10	7.10	15
012	15 29 012 X50X 000	6.35	15.4	9.37	8.37	15
014	15 29 014 X50X 000	7.62	16.67	10.64	9.64	15
016	15 29 016 X50X 000	8.89	17.94	11.91	10.91	15
018	15 29 018 X50X 000	10.16	19.21	13.18	12.18	15
020	15 29 020 X50X 000	11.43	20.48	14.45	13.45	15
022	15 29 022 X50X 000	12.70	21.75	15.72	14.72	15
024	15 29 024 X50X 000	13.97	23.02	16.99	15.99	15
026	15 29 026 X50X 000	15.24	24.29	18.26	17.26	15
028	15 29 028 X50X 000	16.51	25.56	19.53	18.53	15
030	15 29 030 X50X 000	17.78	26.83	20.80	19.80	15
032	15 29 032 X50X 000	19.05	28.1	22.07	21.07	15
034	15 29 034 X50X 000	20.32	29.37	23.34	22.34	15
036	15 29 036 X50X 000	21.59	30.64	24.61	23.61	15
038	15 29 038 X50X 000	22.86	31.91	25.88	24.88	15
040	15 29 040 X50X 000	24.13	33.18	27.15	26.15	15
042	15 29 042 X50X 000	25.40	34.45	28.42	27.42	15
044	15 29 044 X50X 000	26.67	35.72	29.69	28.69	15
046	15 29 046 X50X 000	27.94	36.99	30.96	29.96	15
048	15 29 048 X50X 000	29.21	38.26	32.23	31.23	15
050	15 29 050 X50X 000	30.48	39.53	33.50	32.50	15
052	15 29 052 X50X 000	31.75	40.8	34.77	33.77	15
054	15 29 054 X50X 000	33.02	42.07	36.04	35.04	15
056	15 29 056 X50X 000	34.29	43.34	37.31	36.31	15
058	15 29 058 X50X 000	35.56	44.61	38.58	37.58	15
060	15 29 060 X50X 000	36.83	45.88	39.85	38.85	16.2
062	15 29 062 X50X 000	38.10	47.15	41.12	40.12	16.2
064	15 29 064 X50X 000	39.37	48.42	42.39	41.39	16.2
066	15 29 066 X50X 000	40.64	49.69	43.66	42.66	16.2
068	15 29 068 X50X 000	41.91	50.96	44.93	43.93	16.2
070	15 29 070 X50X 000	43.18	52.23	46.20	45.20	16.2
072	15 29 072 X50X 000	44.45	53.5	47.47	46.47	16.2
074	15 29 074 X50X 000	45.72	54.77	48.74	47.74	16.2
076	15 29 076 X50X 000	46.99	56.04	50.01	49.01	16.2
078	15 29 078 X50X 000	48.26	57.31	51.28	50.28	16.2
080	15 29 080 X50X 000	49.53	58.58	52.55	51.55	16.2
082	15 29 082 X50X 000	50.80	59.85	53.82	52.82	16.2
084	15 29 084 X50X 000	52.07	61.12	55.09	54.09	16.2
086	15 29 086 X50X 000	53.34	62.39	56.36	55.36	16.2
088	15 29 088 X50X 000	54.61	63.66	57.63	56.63	16.2
090	15 29 090 X50X 000	55.88	64.93	58.90	57.90	16.2
092	15 29 092 X50X 000	57.15	66.2	60.17	59.17	16.2
094	15 29 094 X50X 000	58.42	67.47	61.44	60.44	16.2
096	15 29 096 X50X 000	59.69	68.74	62.71	61.71	16.2
098	15 29 098 X50X 000	60.96	70.01	63.98	62.98	16.2
100	15 29 100 X50X 000	62.23	71.28	65.25	64.25	16.2

Performance Level	
PL1 : >500 mating cycles	2
PL2 : >250 mating cycles	6
PLS4 : min 0.06µm Au over 0.7+0.2µm PdNi	5

Accessories	
IDC connector without strain relief	1
IDC connector with strain relief	2

	All Dimensions in mm Original Size DIN A3		Scale 5:1	Free size tol.	Ref. Sub.	
	All rights reserved Department EC PD - FR		Created by DAUCHELLE	Inspected by DE VANSAY	Standardisation HOFFMANN	Date 2013-01-25
HARTING Electronics GmbH D-32339 Espelkamp		Title har-flex IDC female connector			Doc-Key / ECH-Nr. 100226296/UGD/001/B 50000057780	
		Type TB	Number 1529XXX50X_000		Rev. B	Page 1/1

Find further more information on the drawing DS 1529 xxx xx xx