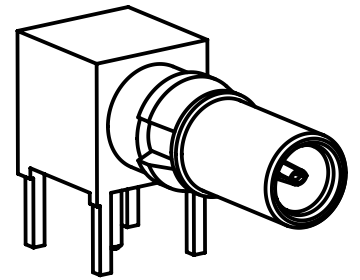
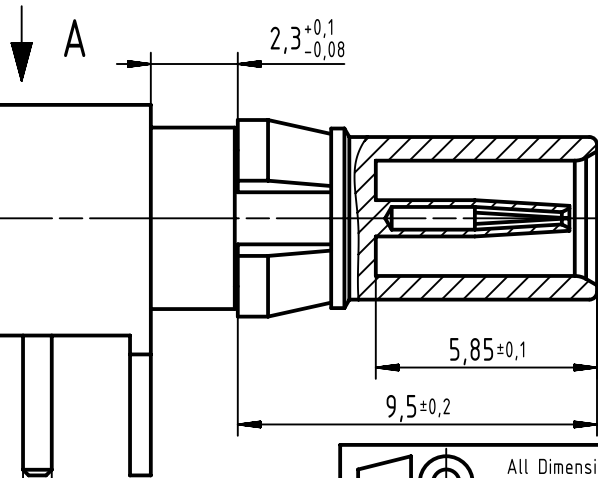
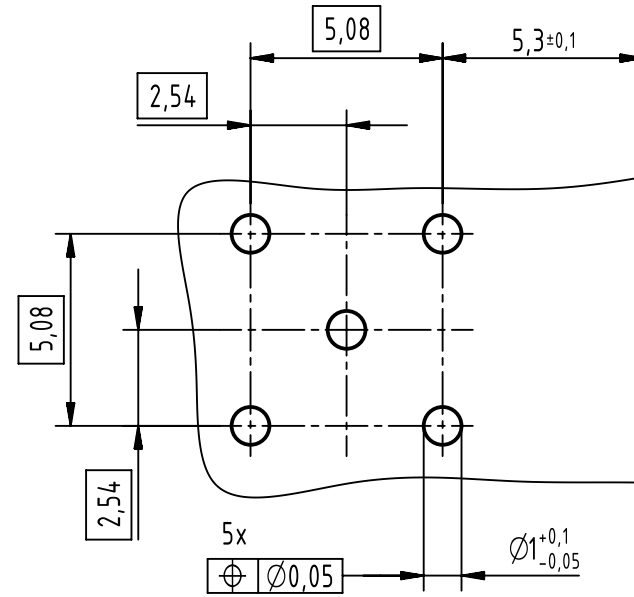
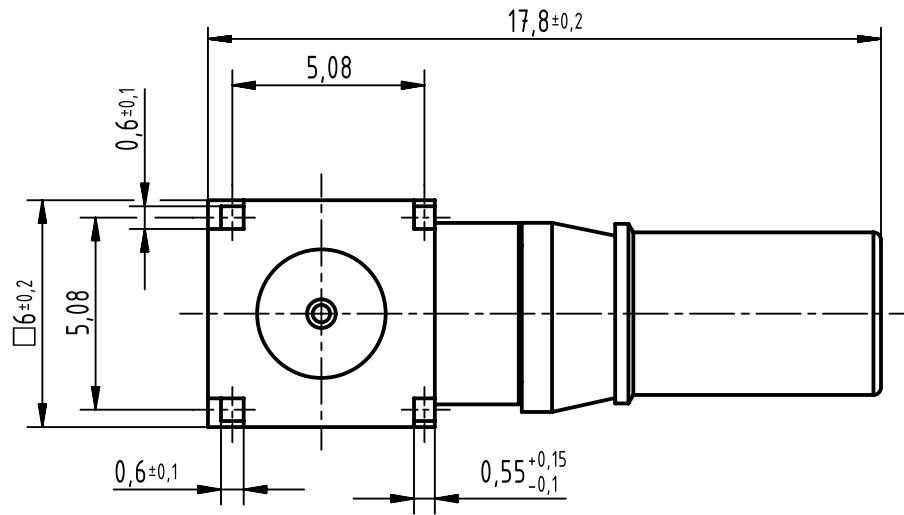


A board drillings



	All rights reserved Department EC PD - DE	All Dimensions in mm Original Size DIN A4			Scale 5:1	Free size tol. DIN 41626-2	Ref. Sub. TB 09 03 000 6269 33326 17.01.06	
		HARTING Electronics GmbH D-32339 Espelkamp	Created by ELLERMANN	Inspected by TADJE	Standardisation HOFFMANN	Date 2013-12-19	State Final Release	Doc-Key / ECM-Nr. 100083426/UGD/002/B 500000069291
		Title DIN Signal female contact coax 75 Ohm angled solder					Rev. B	
		Type TB			Number 09030006269		Page 1/1	