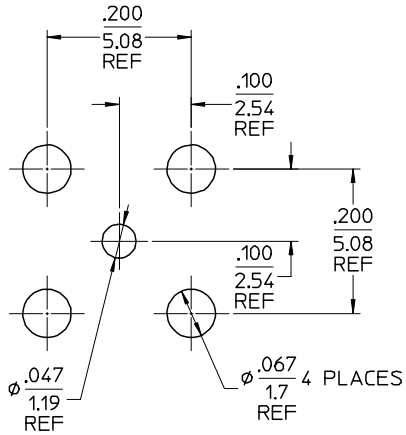
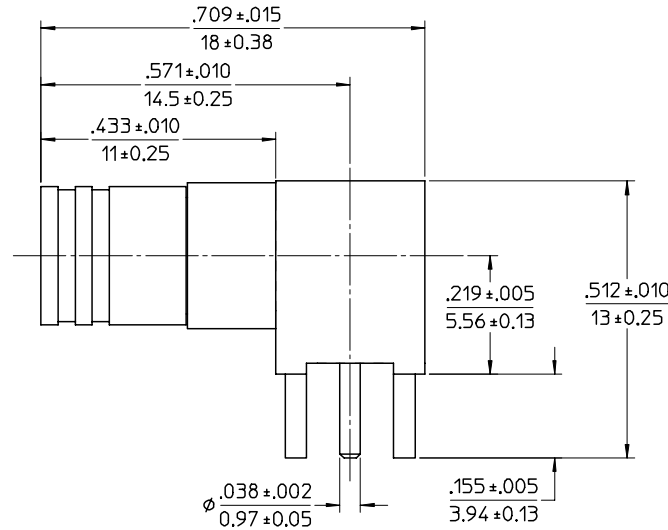
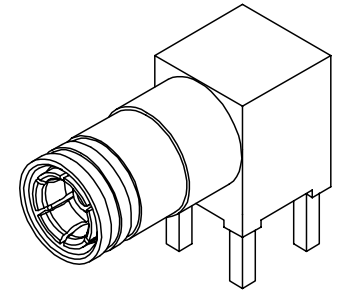


MATERIALS AND FINISHES

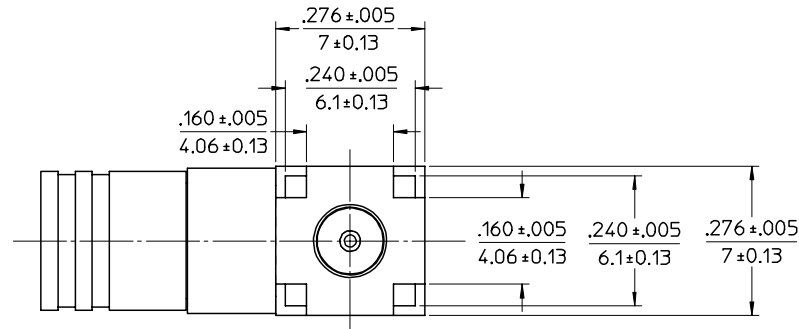
BODY, OC, SLEEVE: BRASS
PLATED: GOLD

CENTER CONTACT: BeCu
PLATED: GOLD

INSULATOR: TEFLON



RECOMMENDED BOARD LAYOUT



- UNLESS OTHERWISE SPECIFIED DIMS ARE INCHES AND ANGLES ARE DEGREES.
- SURFACE FINISH OF .63 ALL OVER.
 - NO CHATTER OR NON-UNIFORM
 - SURFACE FINISH ALLOWED.
 - PARTS TO BE FREE OF BURRS & SHARP EDGES .005 MAX BREAK.
 - EXTERNAL THREADS TO BE ROLLED OR SINGLE POINT.
 - DIAMETERS TO BE CONCENTRIC WITHIN .003 TIR.

PART # 73404-1390

MIL-STD-348A, FIG. 311-2
SPECIFICATION

INTERFACE
DESCRIPTION

CHG: NEW RELEASE	EC NO. URF-1802	DRWN: SSS 07/16/03	CHK: TEF 07/16/03	APPR: GMH 07/16/03	CHG: XXX
EC NO. URF-XXXX	DRWN: XXX 00/00/00	CHK: XXX 00/00/00	APPR: XXX 00/00/00	DATE: 03/07/16	DESCRIPTION

QUALITY SYMBOLS	DESCRIPTION
▽-0	
∇-0	

GENERAL TOLERANCES (UNLESS SPECIFIED)	
	mm INCH
4 PLACES	± --- ± ---
3 PLACES	± --- ± ---
2 PLACES	± --- ± ---
1 PLACE	± --- ± ---
ANGULAR ±1/2°	
DRAFT WHERE APPLICABLE	
MUST REMAIN WITHIN DIMENSIONS	

SCALE 6:1	DESIGN UNITS INCH
DIMENSION STYLE IN/MM	
DRAWN BY TEF	DATE
CHECKED BY TEF	DATE 2003/07/16
APPROVED BY GMH	DATE 2003/06/18

THIRD ANGLE PROJECTION	REVISE ON CAD ONLY
TITLE SMB PLUG RA PCB 50 OHM SMB-P/PCB	
MOLEX INCORPORATED	
MATERIAL NO.	DOCUMENT NO. SD-73404-139
SHEET NO. 1 OF 1	