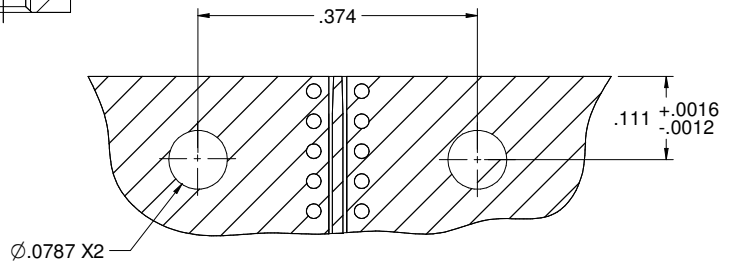
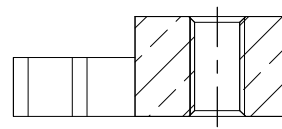
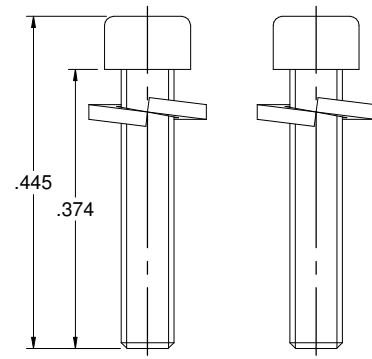
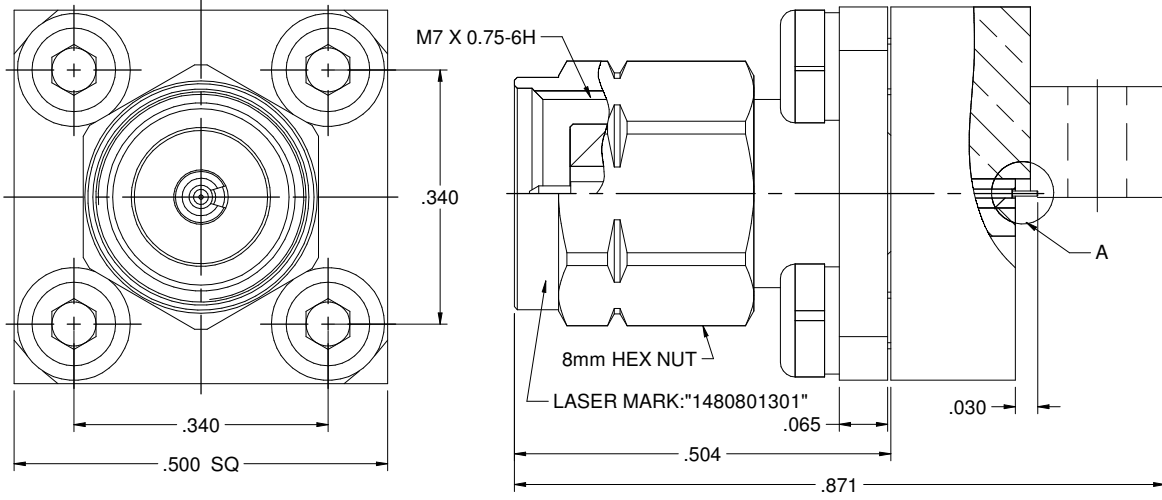
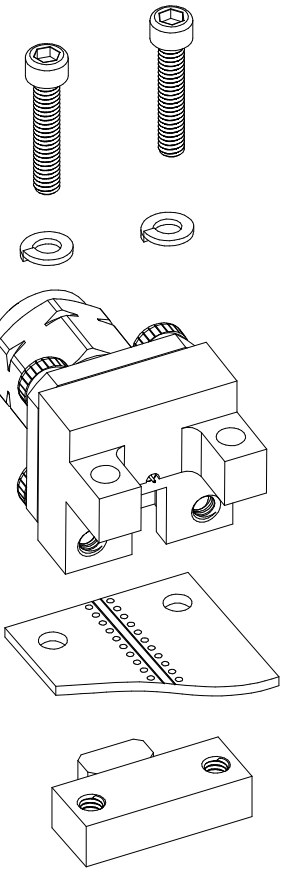
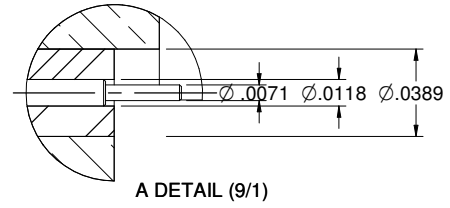


| MODEL NO. | PACKAGING |
|--------------|-----------------|
| 148-0801-301 | ONE PCS PER BAG |

| REV | ECO | DATE |
|-----|------------|------------|
| 001 | ECO-17-003 | 12/18/2017 |



PCB LAYOUT

NOTES: UNLESS OTHERWISE SPECIFIED

1. MATERIAL & FINISH:
 - 1.1 BODY: NICKEL PLATED BRASS
 - 1.2 CONTACT PIN : GOLD PLATED BERYLLIUM COPPER
 - 1.3 INSULATOR: PTFE WHITE
 - 1.4 BOLT & WASHER: STAINLESS STEEL
2. ELECTRICAL:
 - 2.1 IMPEDANCE: 50 OHMS
 - 2.2 FREQUENCY RANGE: 0-67 GHz
 - 2.3 VOLTAGE STANDING WAVE RATIO: 1.2 MAX
 - 2.4 CONTACT RESISTANCE:
 - 2.4.1 CENTER CONTACT: 6 MILLIOHM MAX
 - 2.4.2 OUTER CONTACT: 2.5 MILLIOHM MAX
 - 2.5 INSULATION RESISTANCE: 5000 MOHM MIN
 - 2.6 DIELECTRIC WITHSTANDING VOLTAGE: 500 VRMS
3. MECHANICAL:
 - 3.1 ENGAGEMENT/DISENGAGEMENT FORCE: 0.23 NM MAX
 - 3.2 COUPLING PROOF TORQUE: 1.65NM MIN
 - 3.3 COUPLING NUT RETENTION: 267 N MIN
 - 3.4 CONTACT RETENTION: 20N MIN
 - 3.5 DURABILITY: 500 CYCLES MIN
4. ENVIRONMENT:
 - 4.1 THERMAL SHOCK: MIL-STD-202, METHOD 107, CONDITION B.
 - 4.2 OPERATING TEMPERATURE: -55 TO 125 °C
 - 4.3 SALT SPRAY: MIL-STD-202, METHOD 101, CONDITION B
 - 4.4 SHOCK: MIL-STD-202, METHOD 213, CONDITION I
 - 4.5 VIBRATION: MIL-STD-202, METHOD 204, CONDITION D
 - 4.6 MOISTURE RESISTANCE: MIL-STD-202, METHOD 106

| | | | |
|------------------------------------|---|--|---------------------------------------|
| | Model No. 148-0801-301/310 | Johnson | |
| | RoHS2 2011/65/EU REACH 2002/61/EC COMPLIANT | Title: END LAUNCH PLUG, SCREW-ON TYPE: 1.85mm | Drawing No. 148-0801-301/310 |
| XXXX-02 XXXX-008 ANGLES: 45° | Date: 12/12/2017 | Size: C DO NOT SCALE DRAWING | PRODUCTIONS SET: NONE Sheet 1 of 1 |