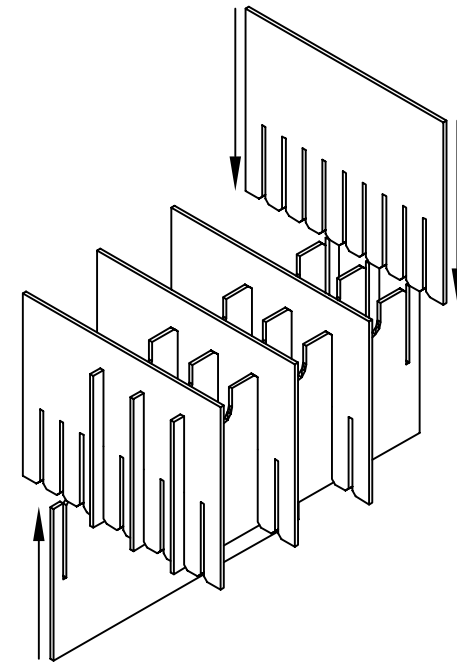
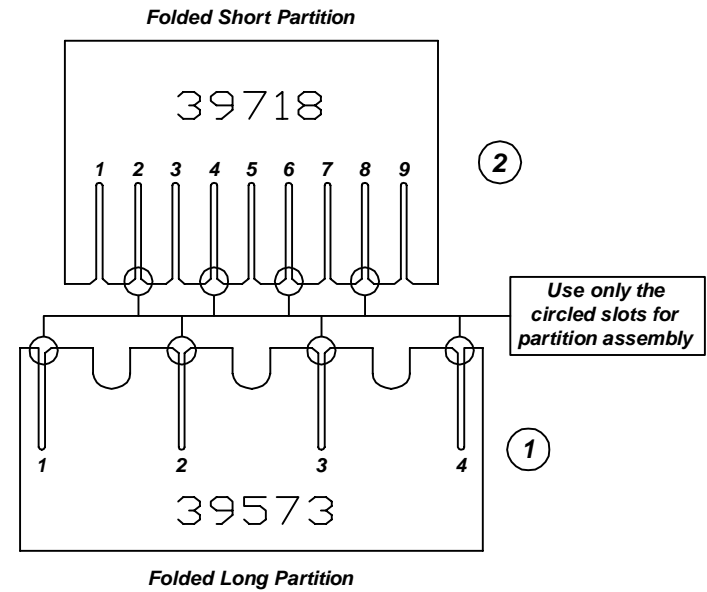
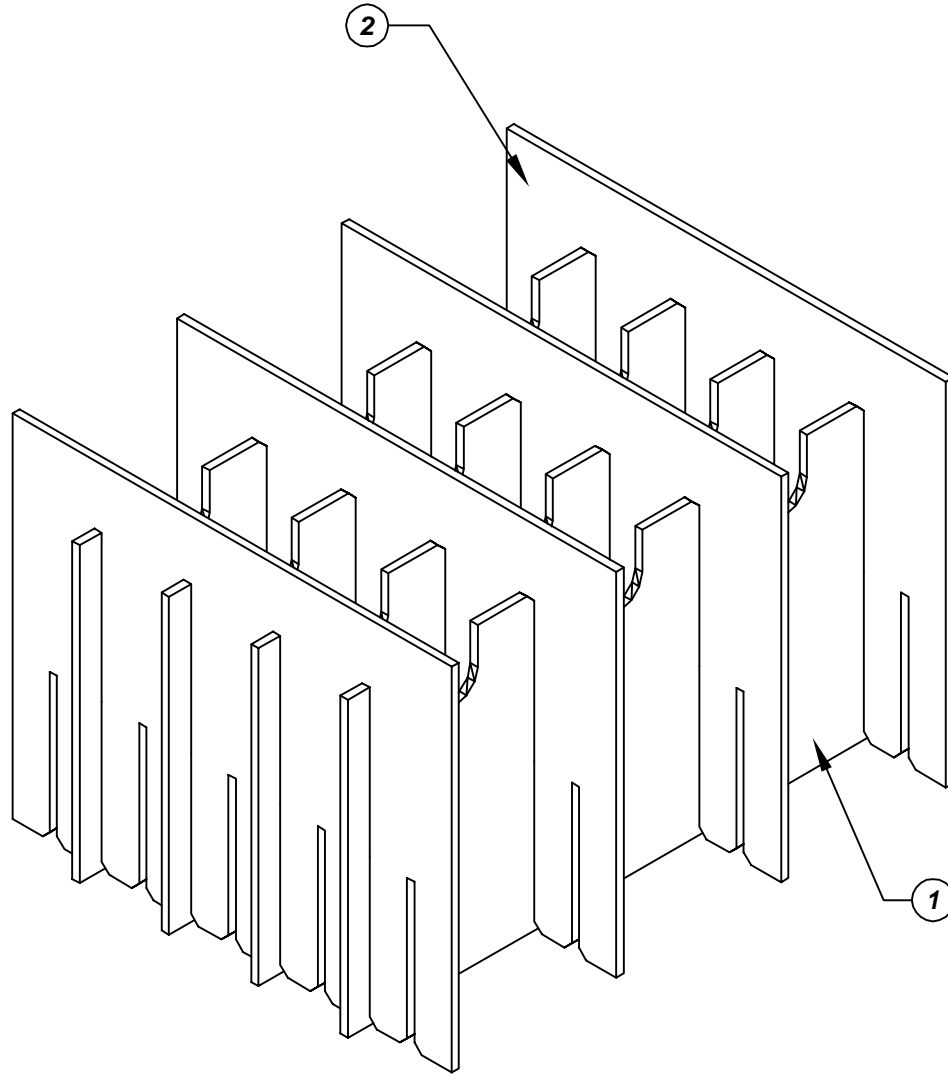


Assembly Instructions for - 37357



Made in America

| | | | | |
|----------|-----------------|----------------------------------|---------------------------------------------|-----------|
| F/N ① | Part # 39573 | Dimensions: 20-1/4" x 18-5/8" | Description: 460-LP-10/30 Long Partition | Qty: 4 |
| F/N ② | Part # 39718 | Dimensions: 24-1/4" x 15" | Description: 462-SP-10 Short Partition | Qty: 4 |

Notes:
For use with the following storage container & lid:
37525 - Storage Container
37554 - Lid

PROTEKTIVE PAK
13520 MONTE VISTA AVENUE, CHINO, CA 91710
PHONE (909) 627-2578, FAX (909) 363-7331
ProtektivePak.com

PROTEKTIVE PAK
BURIED CONDUCTIVE LAYER

DRAWING NUMBER
IPH-37357

DATE
Dec.
2007

37357 - 15 Cell Inplant Handler
Cell Size - 12" x 5-3/8" x 2-3/4"