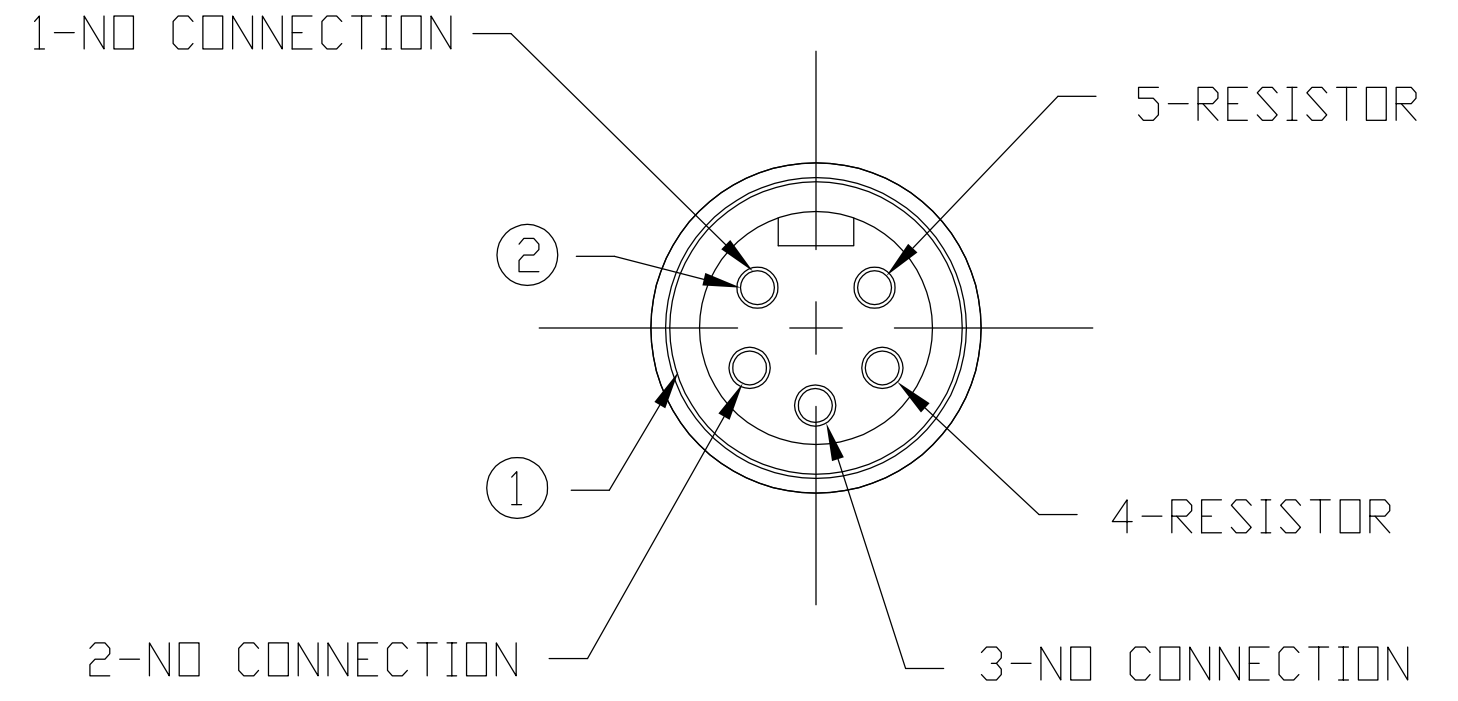
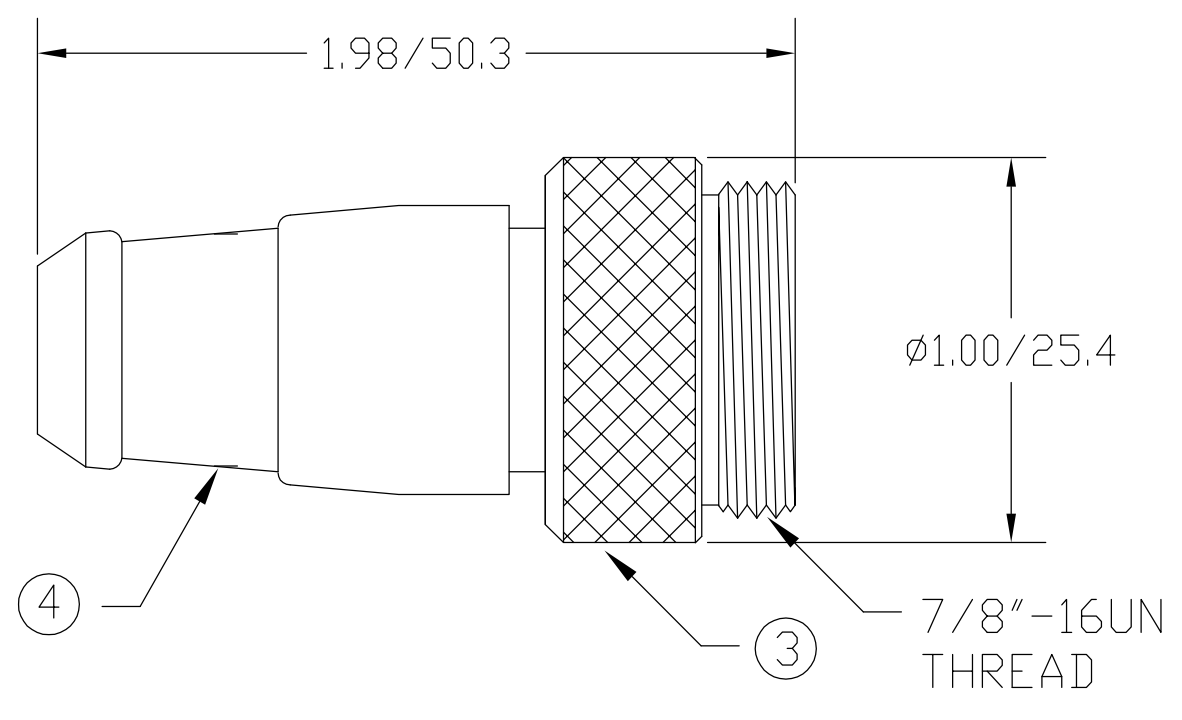
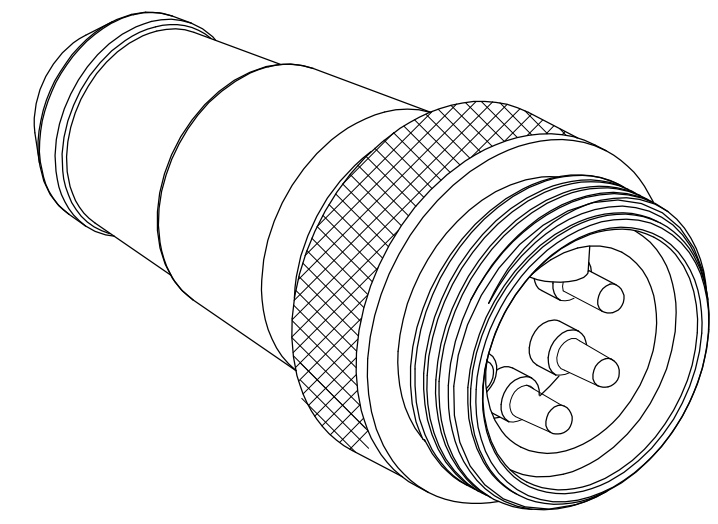


MATERIAL NUMBER	OLD PART NUMBER
130039-0370	DN100



VOLTAGE RATING	50 VAC/VDC
AMPERAGE RATING	8 AMPS
PROTECTION	IP67
OPERATING TEMPERATURE	0°C TO 60°C

ITEM	COMPONENT	MATERIAL	FINISH
1	INSERT	PVC	GRAY
2	CONTACT PIN	COPPER ALLOY	GOLD OVER NICKEL
3	COUPLNG NUT	ZINC DIE CAST	BLACK E-COATED
4	OVERMOLD RESISTOR	PVC 121 OHM 1% METAL FILM 1/4 WATT	GRAY

RLSD DRAWING
 EC NO: WNA2009-0576
 DRWN: BWOODMAN 3/17/09
 CH'KD: JM
 APPR: JFMURPHY 2009/03/31
 A REV

QUALITY SYMBOL
 $\blacktriangledown = 0$
 $\triangle C = 0$
 DESCRIPTION
 REV

GENERAL TOLERANCES (UNLESS SPECIFIED)

	mm	INCH
4 PLACES	±----	±----
3 PLACES	±----	±----
2 PLACES	±----	±.01
1 PLACE	±0.3	±----

 ANGULAR ±----°
 DRAFT WHERE APPLICABLE MUST REMAIN WITHIN DIMENSIONS

DIMENSION STYLE IN/MM
 DRAWN BY: **BW** DATE: **2009/03/17**
 CHECKED BY: **KJ** DATE: **2009/03/17**
 APPROVED BY: _____ DATE: _____
 MATERIAL NO. **SEE CHART**
 SIZE **C**

SCALE: ---- DESIGN UNITS: ----
 THIRD ANGLE PROJECTION
MINI 5P MALE TERMINATOR DEVICENET
 MOLEX INCORPORATED
 DOCUMENT NO. **SD-130039-002** SHEET NO. **1 OF 1**
 THIS DRAWING CONTAINS INFORMATION THAT IS PROPRIETARY TO MOLEX INCORPORATED AND SHOULD NOT BE USED WITHOUT WRITTEN PERMISSION