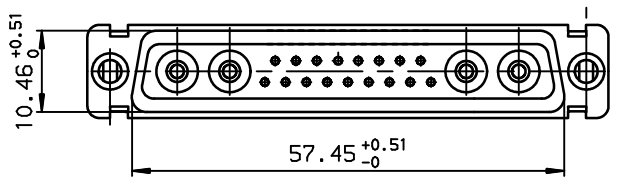
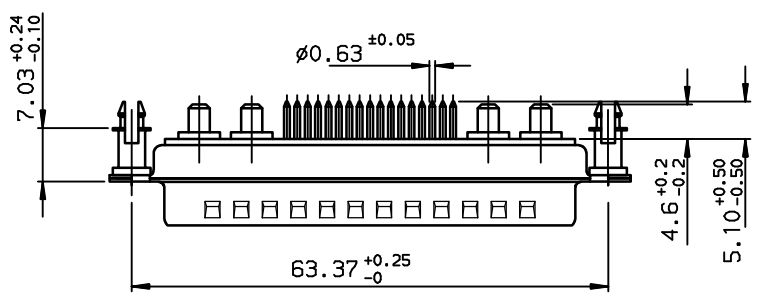
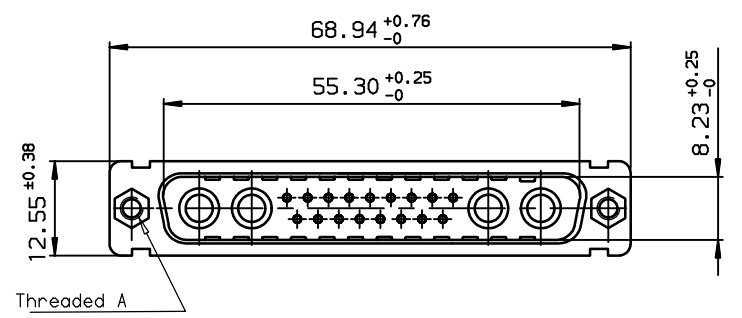




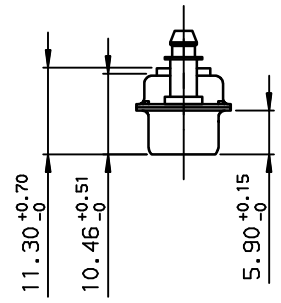
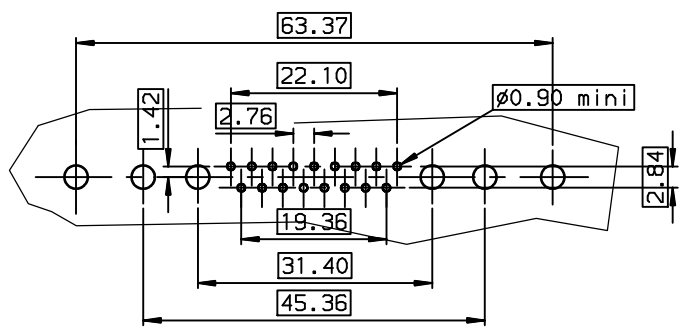
Copyright FCI.

A
B
C
D

A
B
C
D



LAYOUT DIMENSIONS (after plating)
CONNECTOR SIDE VIEW



TIN LEAD PART NUMBER

DC021WA4P300G40	UNC 4.40
DCL21WA4P300G40	M3
PART NUMBER	Threaded A

LEAD FREE PART NUMBER

DC021WA4P300G40LF	UNC 4.40
DCL21WA4P300G40LF	M3
PART NUMBER	Threaded A

GENERAL CHARACTERISTICS AND ROHS INFORMATIONS:
SEE DRAWING C01-8639-0000

European Views

www.fciconnect.com		surface ISO 1302 ✓	tolerance std ISO 406 ISO 1101	projection mm
		TOLERANCES UNLESS OTHERWISE SPECIFIED		
Dr	MASSON	1999/08/16	ANGULAR	size A3
Eng	PESSON	1999/08/16	LINEAR	Scale 1.5
Chr	LEGARE	1999/08/16	0.xx' ±2'	ECN L506-0095
Appr	LEGARE	1999/08/16	0.xxx ±0.1	Spec ref -
		Product family	D-SUB	
		PIN CONNECTOR WITH POWERS CONTACTS		Rev. D C01-8639-1691
catalog no				CUSTOMER sheet 1 of 1

rev	ecn no	dr	date
B	-	DEB	2003/09/25
C	LS05-001	MPE	2005/03/08
D	LS06-0095	LGO	2006/07/20
-	-	-	-
-	-	-	-
-	-	-	-

REV F - 2006-04-17