

DETAILS

Product Number	FCA14933_SAGA-S-WHT
Family	Saga
Type	Pack
Color	white
Diameter	50 mm
Height	13,7 mm
Style	round
Optic Material	Silicone
Holder Material	
Fastening	screw
Status	sample approved
ROHS Compliant	Yes
Date Updated	1/12/2016



OPTICAL PROPERTIES

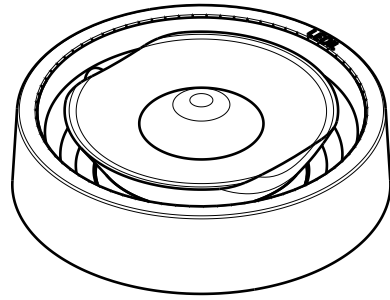
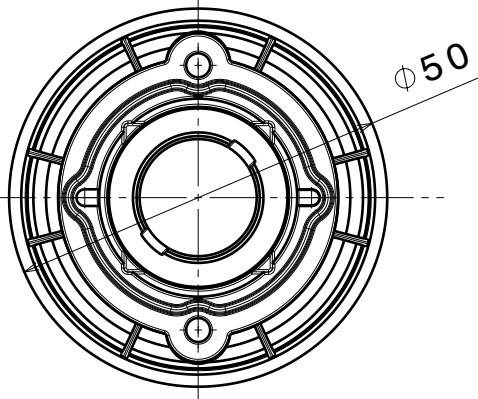
LED	Viewing	Light	Effi-		
	Angle	Beam	ciency	cd/lm	Connector
CXA/B 15xx	26 deg	Spot	94 %	2.700	-
CXA/B 1816 & CXA/B 1820 & CXA 1850	34 deg	Spot	94 %	1.650	-
CXA/B 13xx	sim: 15	Spot	sim: 94 %	sim: 7.100	-
LC010C	sim: 30	Spot	sim: 91 %	sim: 3.400	Bender Wirth: 479 Typ L6
LC020C	sim: 36	Spot	sim: 88 %	sim: 2.200	Bender Wirth: 479 Typ L6
LC040C	sim: 44	Spot	sim: 87 %	sim: 1.400	Bender Wirth: 480 Typ L6

D

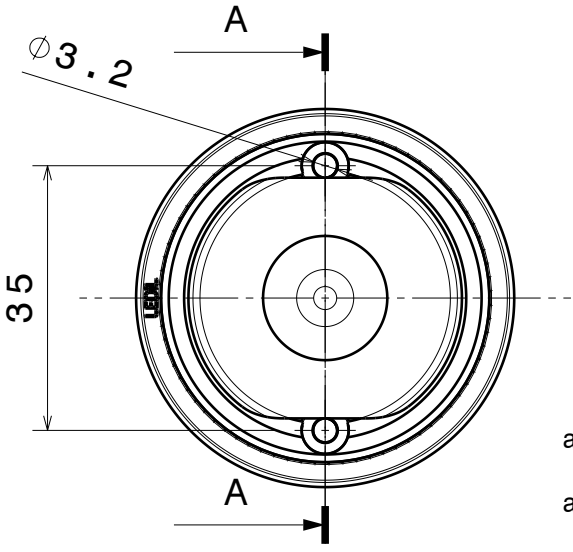
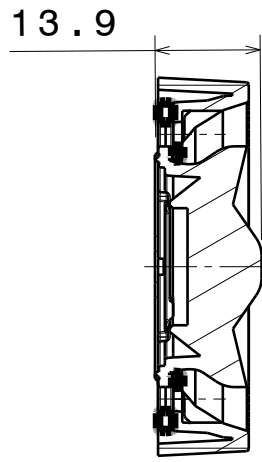
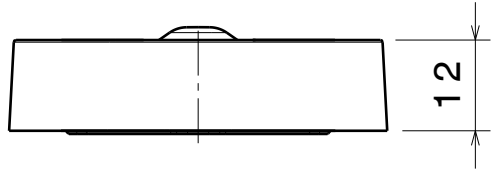
C

B

A



Isometric view
Scale: 1:1



NOTES:
Maximum recommended tightening torque for SAGA-FRAME is 0,4Nm

The final IP-rating is dependant of the whole luminaire design and some solutions may need additional potting or covering elements in order to achieve desired level of protection. To achieve fully sealed protection LEDiL recommends to fasten SAGA holder directly on the heatsink.

INDEX	PART NO	DESCRIPTION	MATERIAL	COLOUR
1	F14908	SAGA-S	Optical grade LSR	clear
2	C13591	SAGA-FRAME-WHT	HRPC	white

Tolerances if not otherwise shown
According to DIN ISO 2768-1
Linear measures:
Up to 30mm class M, otherwise class C.
According to DIN ISO 2768-2
Form and position: class L

LEDiL Ledil Oy
Salorankatu 10
FIN 24240 SALO
Finland

THIRD ANGLE PROJECTION:

DRAWING TITLE
FCN14933_SAGA-S-WHT

This drawing is the property of LEDiL Oy. It may not be reproduced, copied or communicated without a written agreement with LEDiL Oy.

SIZE PART NUMBER
A4 SAGA-S-WHT

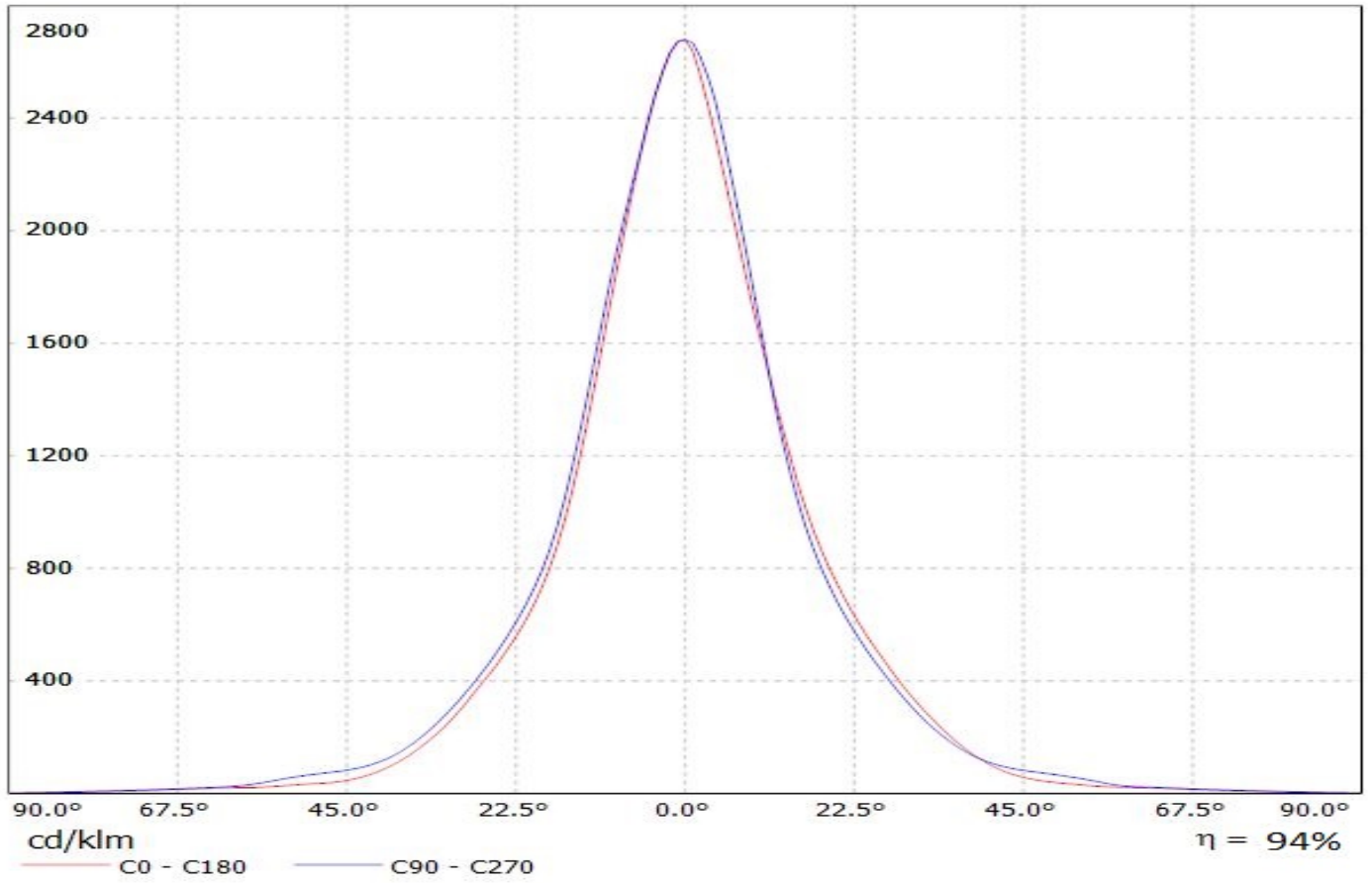
SCALE 1:1 WEIGHT 19,69 g SHEET 1/1

D

A

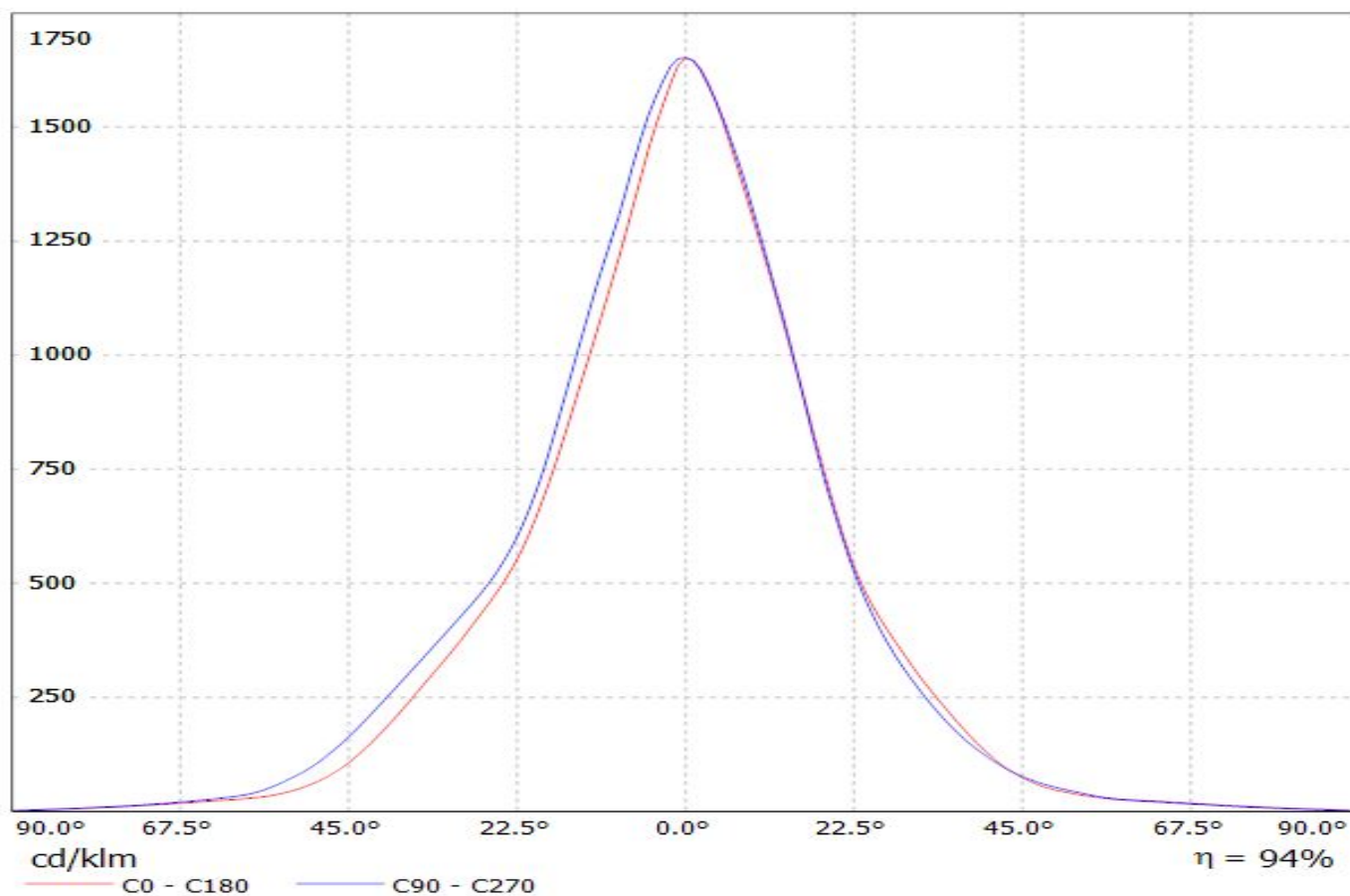
Luminaire: LEDiL Oy F14908_SAGA-S_(CXA1520)_C1

Lamps: 1 x Cree_CXA1520_(CXA1520-30F-N4-N0H-0001)_915.861lm@250mA_P=8.27837W_I=0.250A

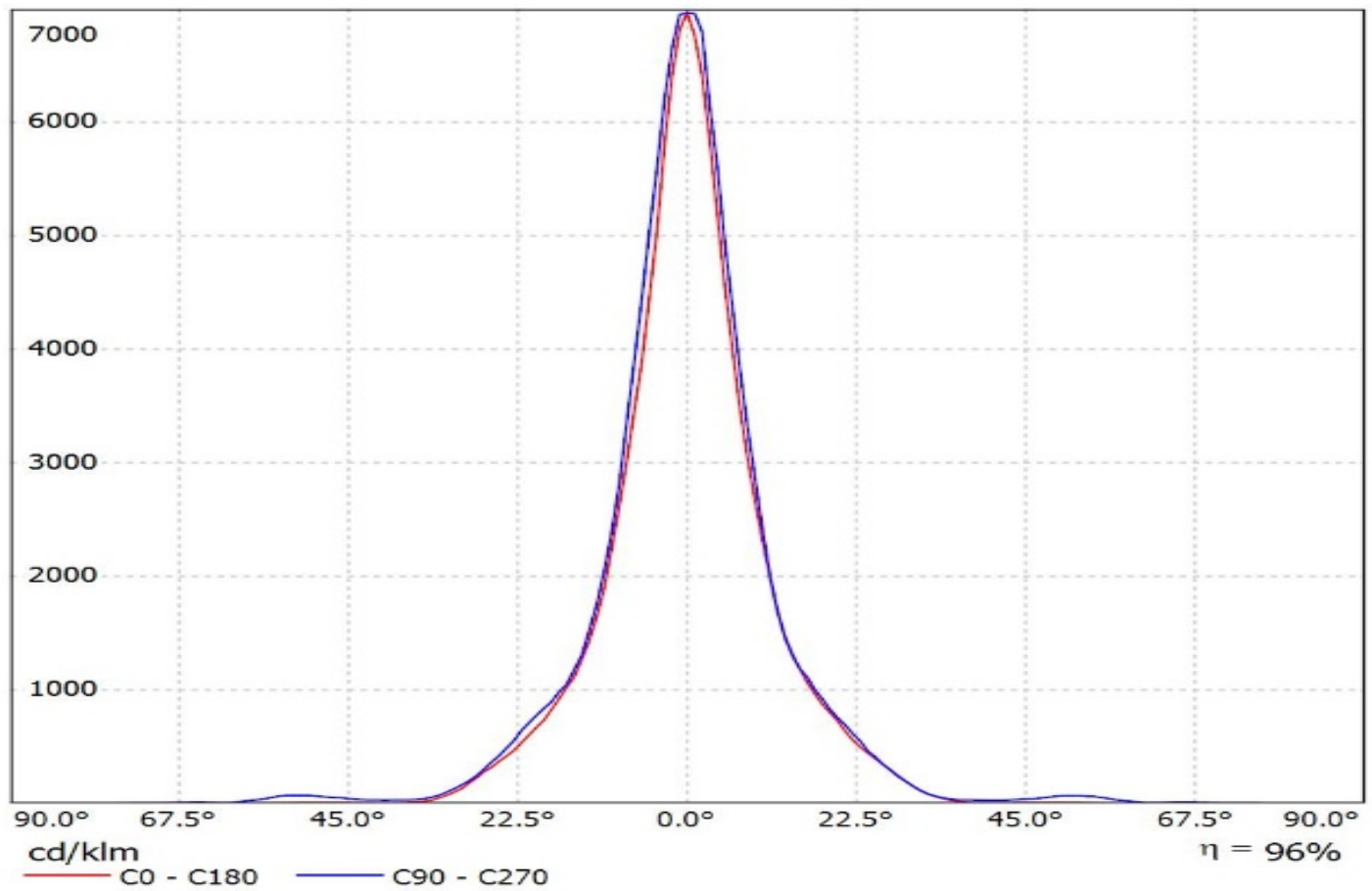


Luminaire: LEDiL Oy F14908_SAGA-S_(CXA1816)_C1

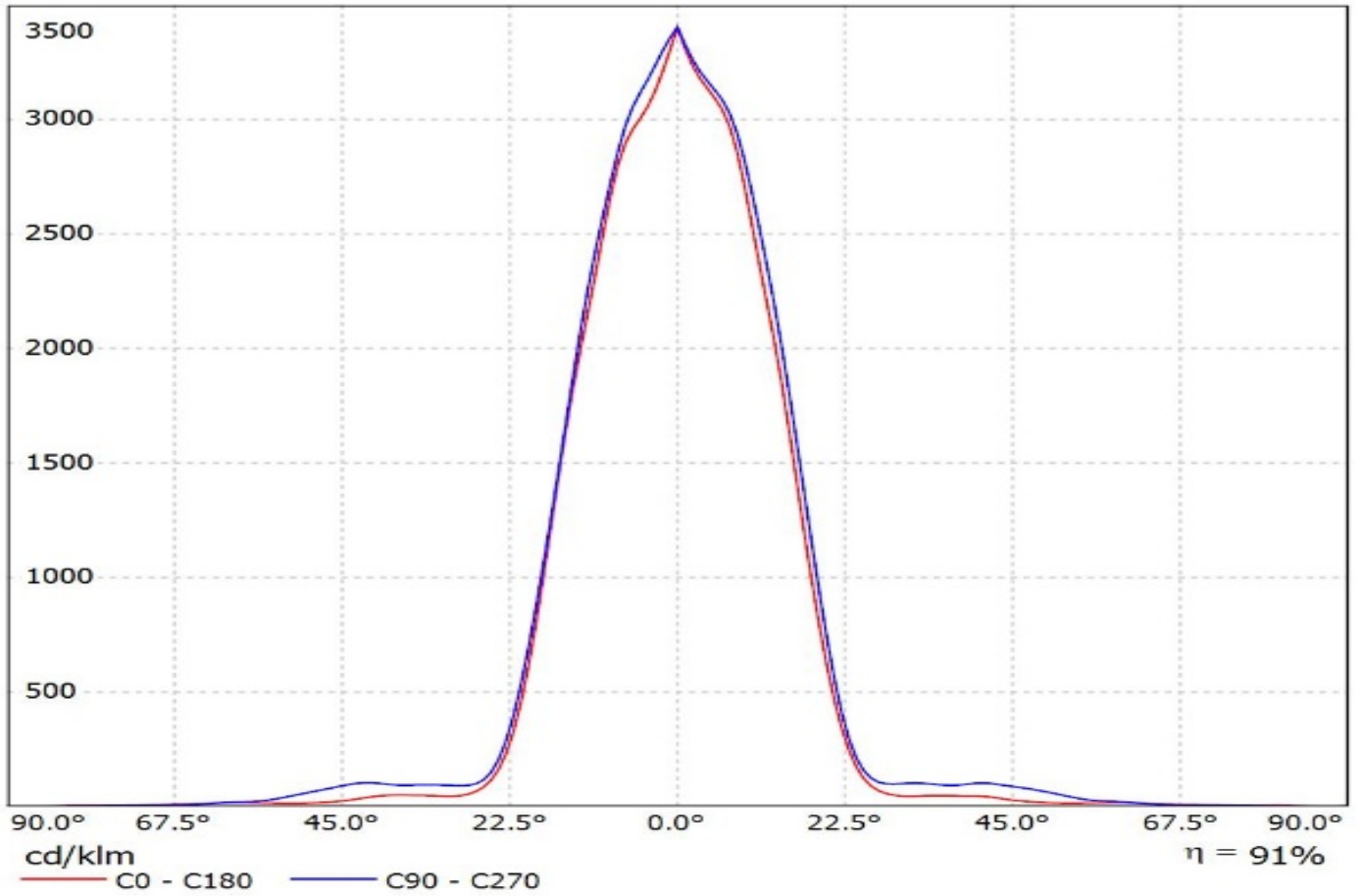
Lamps: 1 x CXA1816_(CXA1816_(SOF-P4-N0H-00001))_1117.67lm@250mA_P=8.61635W_I=0.250A



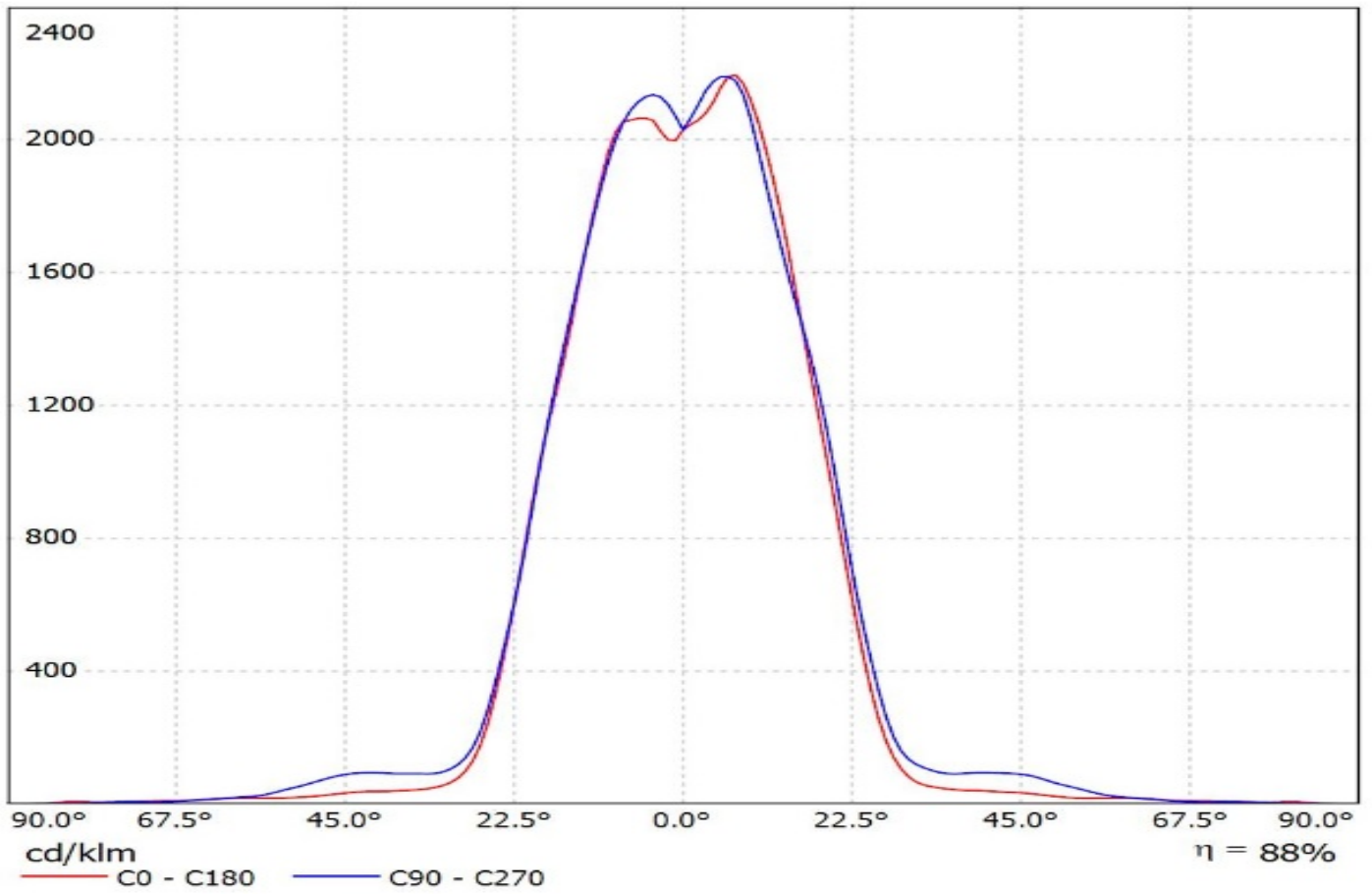
Luminaire: Ledil Oy FCN14933_SAGA-S-WHT_(CXB1310)_SIMULATED
Lamps: 1 x Cree CXB1310



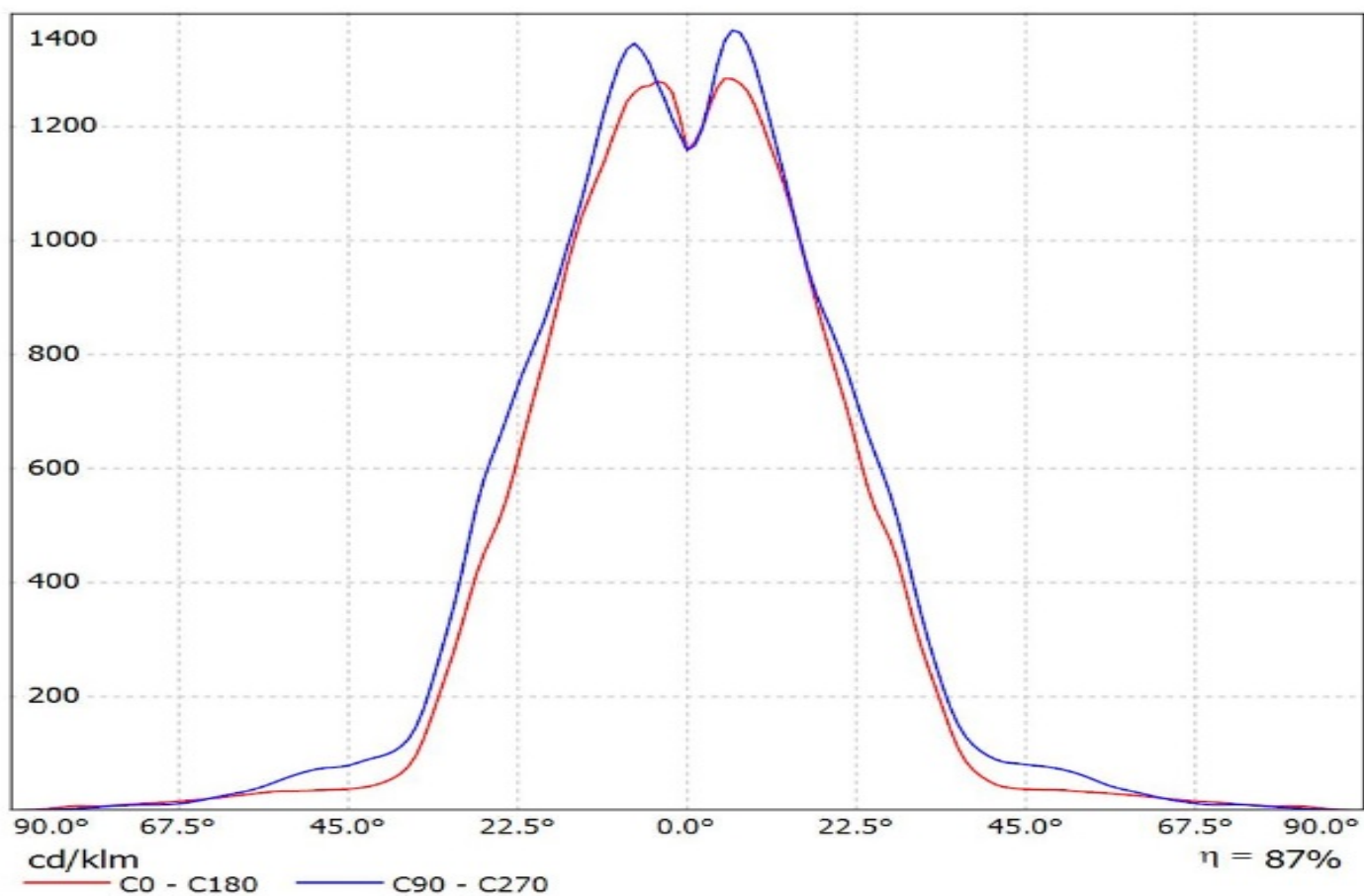
Luminaire: Ledil Oy FCN14933_SAGA-S-WHT_(LC010C)_(B+W_479_Typ_L6)_SIMULATED
Lamps: 1 x Samsung LC010C + Bender & Wirth 479 Type L6



Luminaire: Ledil Oy FCN14933_SAGA-S-WHT_(LC020C)_(B+W_479_Typ_L6)_SIMULATED
Lamps: 1 x Samsung LC020C + Bender & Wirth Bender & Wirth 479 Typ L6

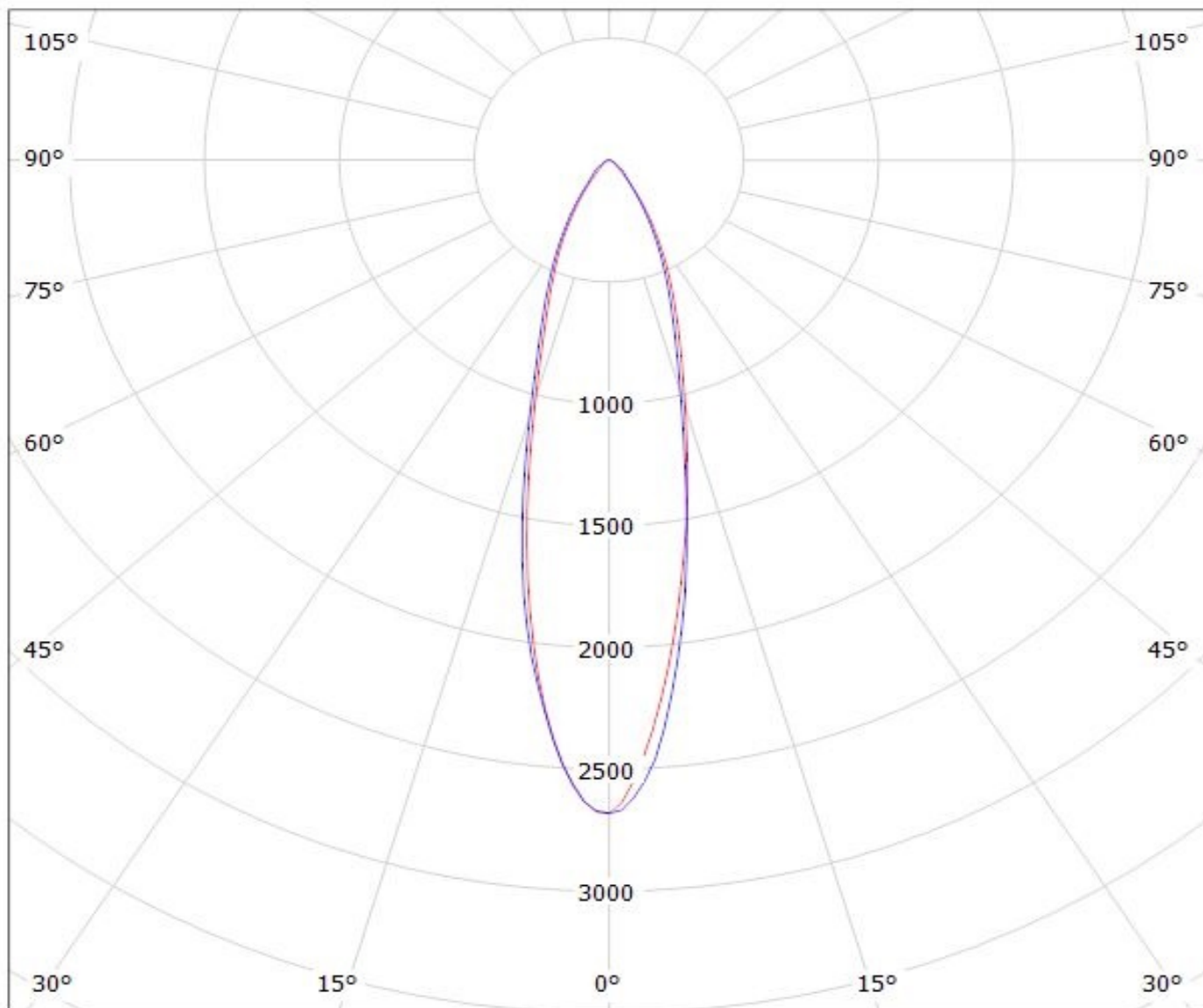


Luminaire: Ledil Oy FCN14933_SAGA-S-WHT_(LC040C)_(B+W_480_Typ_L6)_SIMULATED
Lamps: 1 x Samsung LC040C + Bender & Wirth Bender & Wirth 480 Typ L6



Luminaire: LEDiL Oy F14908_SAGA-S_(CXA1520)_C1

Lamps: 1 x Cree_CXA1520_(CXA1520-30F-N4-N0H-0001)_915.86lm@250mA_P=8.27837W_I=0.250A



cd/klm

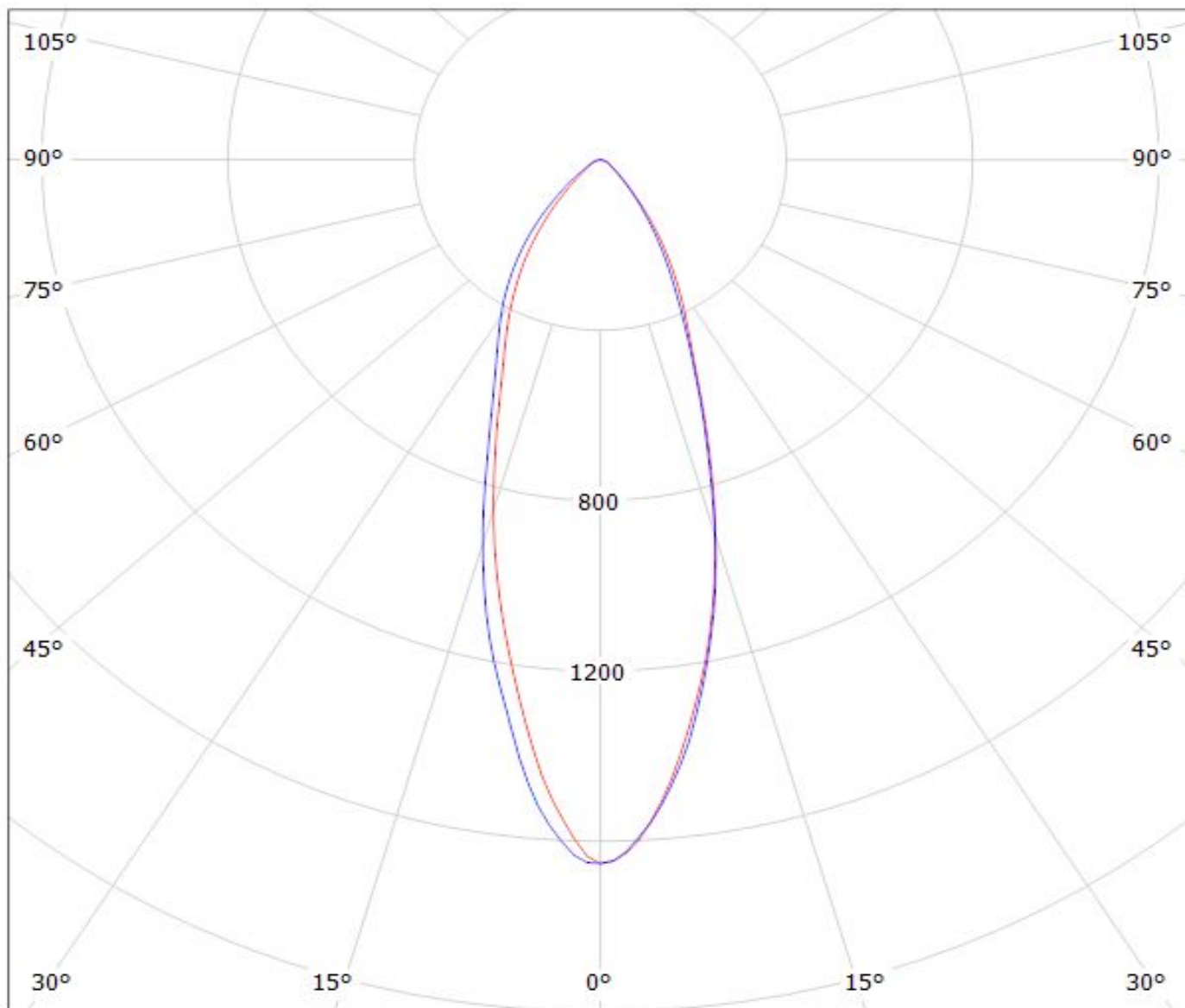
— C0 - C180

— C90 - C270

$\eta = 94\%$

Luminaire: LEDiL Oy F14908_SAGA-S_(CXA1816)_C1

Lamps: 1 x CXA1816_(CXA1816_(SOF-P4-N0H-00001))_1117.67lm@250mA_P=8.61635W_I=0.250A



cd/klm

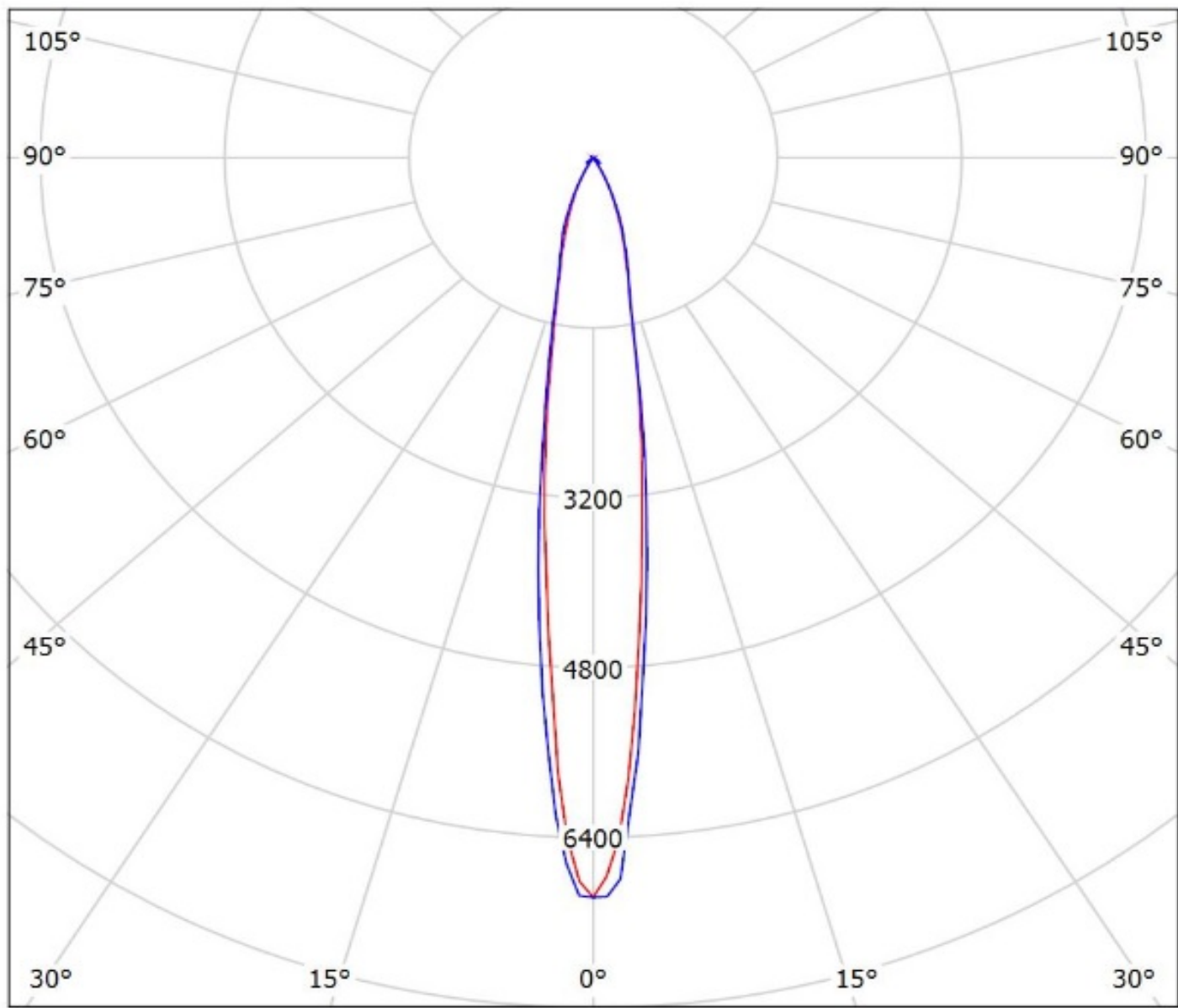
$\eta = 94\%$

— C0 - C180

— C90 - C270

Luminaire: Ledil Oy FCN14933_SAGA-S-WHT_(CXB1310)_SIMULATED

Lamps: 1 x Cree CXB1310

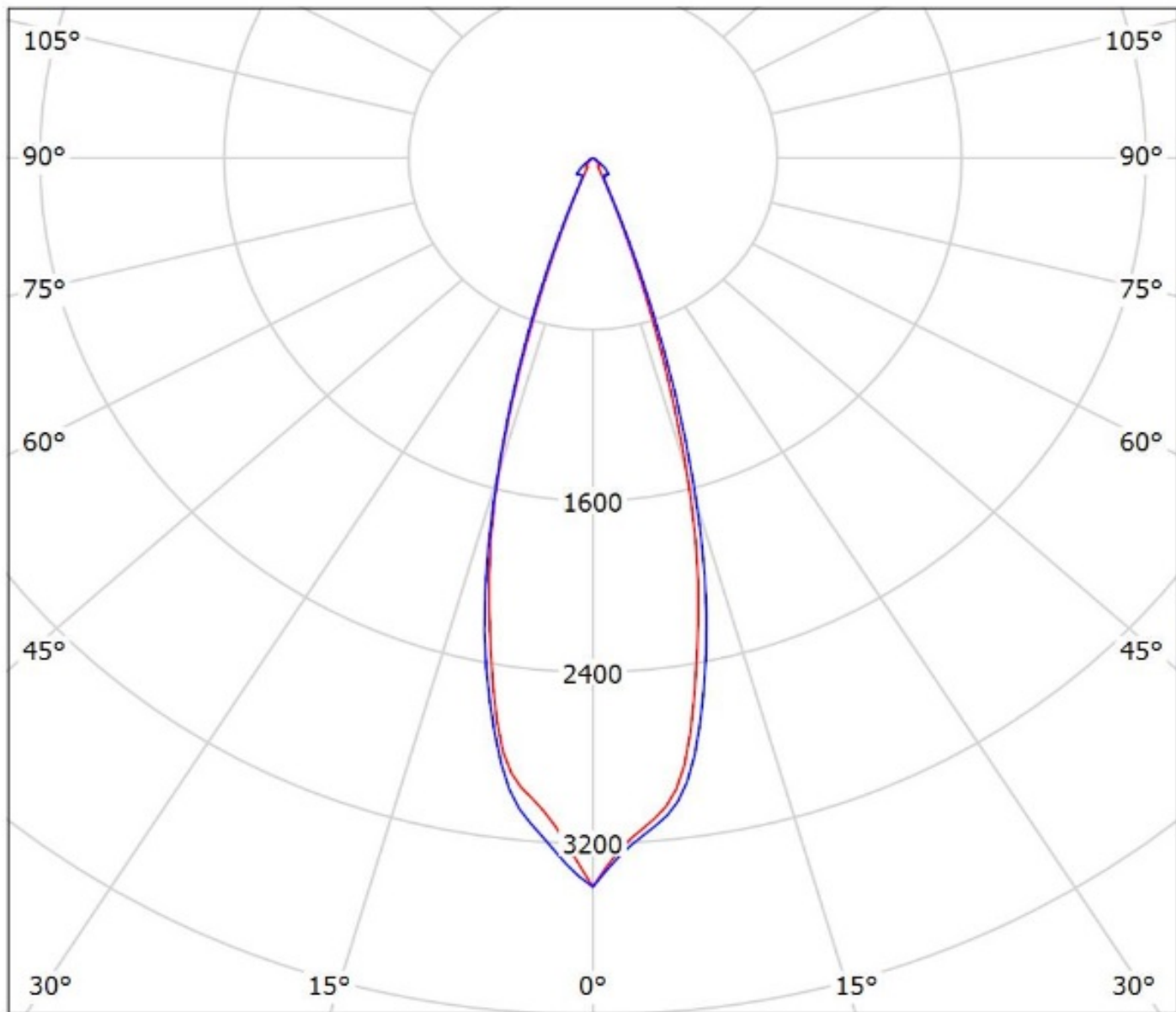


cd/klm

— C0 - C180 — C90 - C270

$\eta = 96\%$

Luminaire: Ledil Oy FCN14933_SAGA-S-WHT_(LC010C)_(B+W_479_Typ_L6)_SIMULATED
Lamps: 1 x Samsung LC010C + Bender & Wirth 479 Type L6

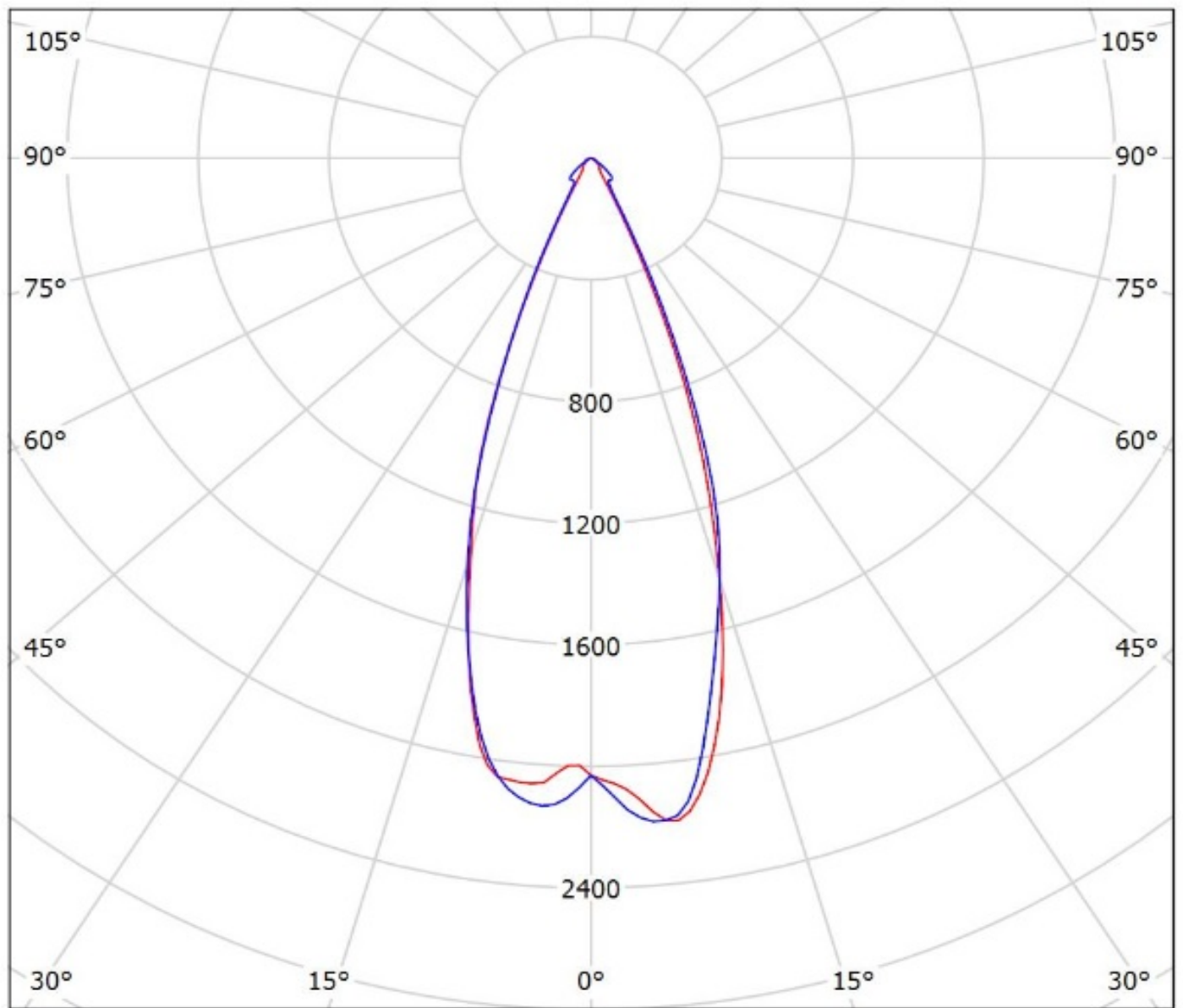


cd/klm

— C0 - C180 — C90 - C270

$\eta = 91\%$

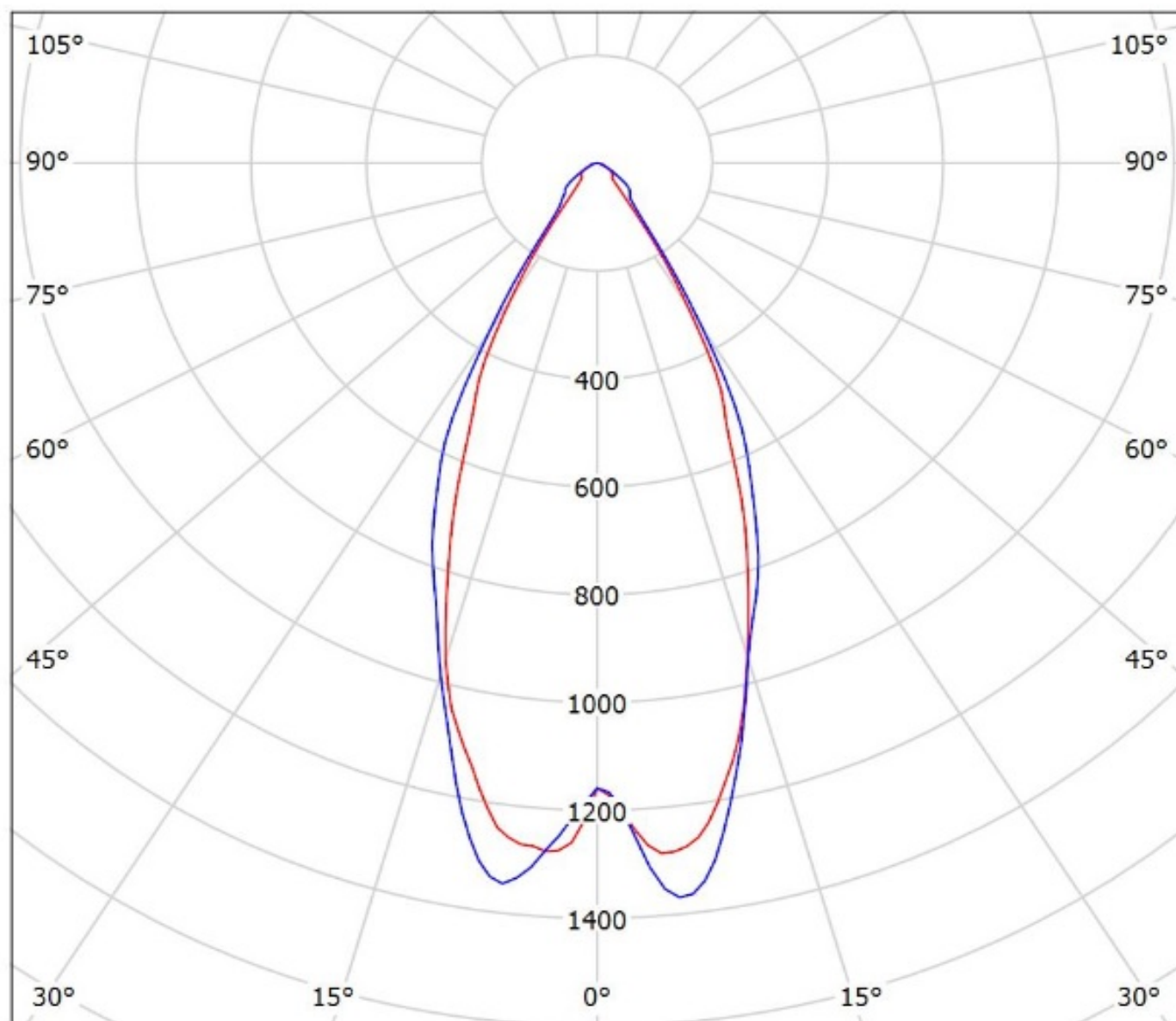
Luminaire: Ledil Oy FCN14933_SAGA-S-WHT_(LC020C)_(B+W_479_Typ_L6)_SIMULATED
Lamps: 1 x Samsung LC020C + Bender & Wirth Bender & Wirth 479 Typ L6



cd/klm
— C0 - C180 — C90 - C270

$\eta = 88\%$

Luminaire: Ledil Oy FCN14933_SAGA-S-WHT_(LC040C)_(B+W_480_Typ_L6)_SIMULATED
Lamps: 1 x Samsung LC040C + Bender & Wirth Bender & Wirth 480 TYP L6



cd/klm

— C0 - C180 — C90 - C270

$\eta = 87\%$

NOTE: The typical divergence will be changed by different color, chip size and chip position tolerance. The typical total divergence is the full angle measured where the luminous intensity is half of the peak value.

GENERAL INFORMATION

- Product series especially designed & optimized for series of LEDs.
- Special care taken to make light distribution as uniform as possible.

Note! Due to use of high power COB's with this product, special attention to proper thermal design is highly recommended. LEDiL has no liability for direct, indirect or consecutive damages arising from the LEDiL products being used outside of the recommended temperature range.