

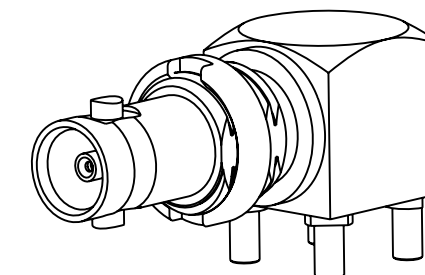
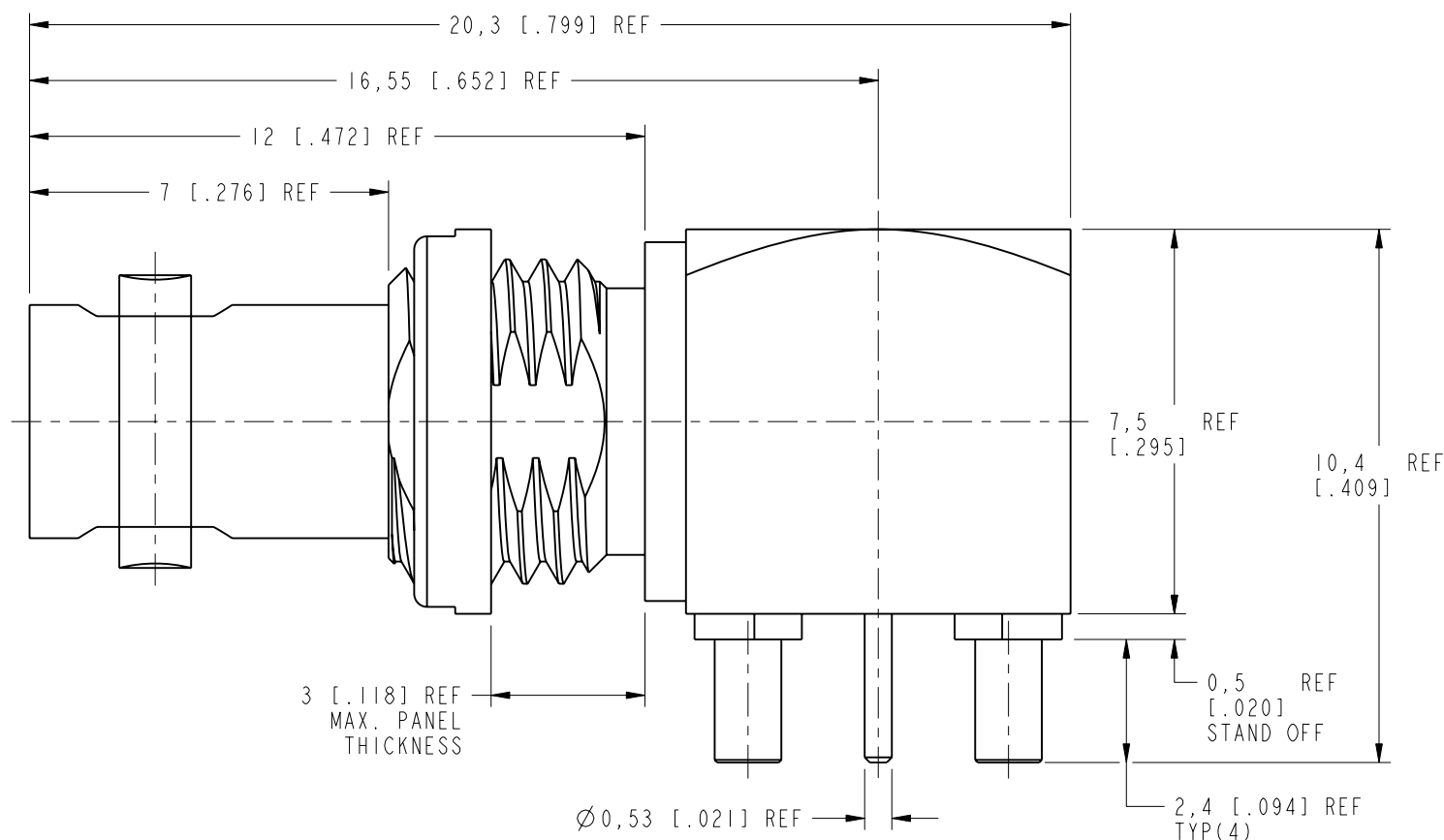
NOTES:

1. MATERIALS AND FINISHES:  
 BODY,CAP & NUT - BRASS, NICKEL PLATING  
 REAR BODY - BRASS, GOLD PLATING  
 CONTACT - BeCu, GOLD PLATING  
 INSULATORS - PTFE, NATURAL  
 INSULATOR - ULTEM 1000, NATURAL
2. ELECTRICAL:  
 A. IMPEDANCE: 75 OHMS  
 B. FREQUENCY RANGE: DC - 18 GHz  
 C. RETURN LOSS : 25 dB MIN @ DC - 6 GHz  
 10 dB MIN @ 6 - 12 GHz  
 D. DIELECTRIC WITHSTANDING VOLTAGE: 1000 VRMS, MIN.  
 E. INSULATION RESISTANCE: 10,000 MEGAOHMS MIN
3. MECHANICAL:  
 A. DURABILITY: 500 CYCLES MIN.
4. PACKAGING:  
 A. QUANTITY: SINGLE PACK  
 B. MARKING: BAG TO BE MARKED  
 "AMPHENOL RF, 34-1030-12G & DATE CODE  
 FREQUENCY RANGE: DC - 18 GHz"

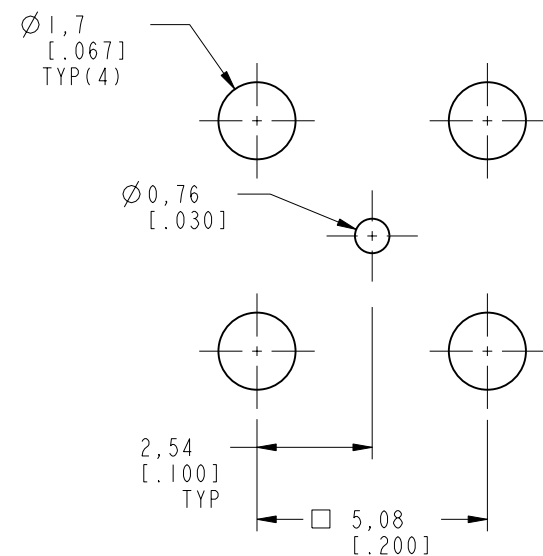
THIRD ANGLE PROJ.

REVISIONS

REV	DESCRIPTION	DATE	ECO	APPR
A	RELEASE TO MFG	03-Mar-16	51040	MJD

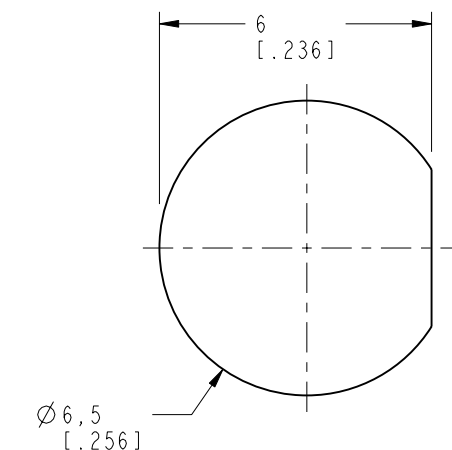
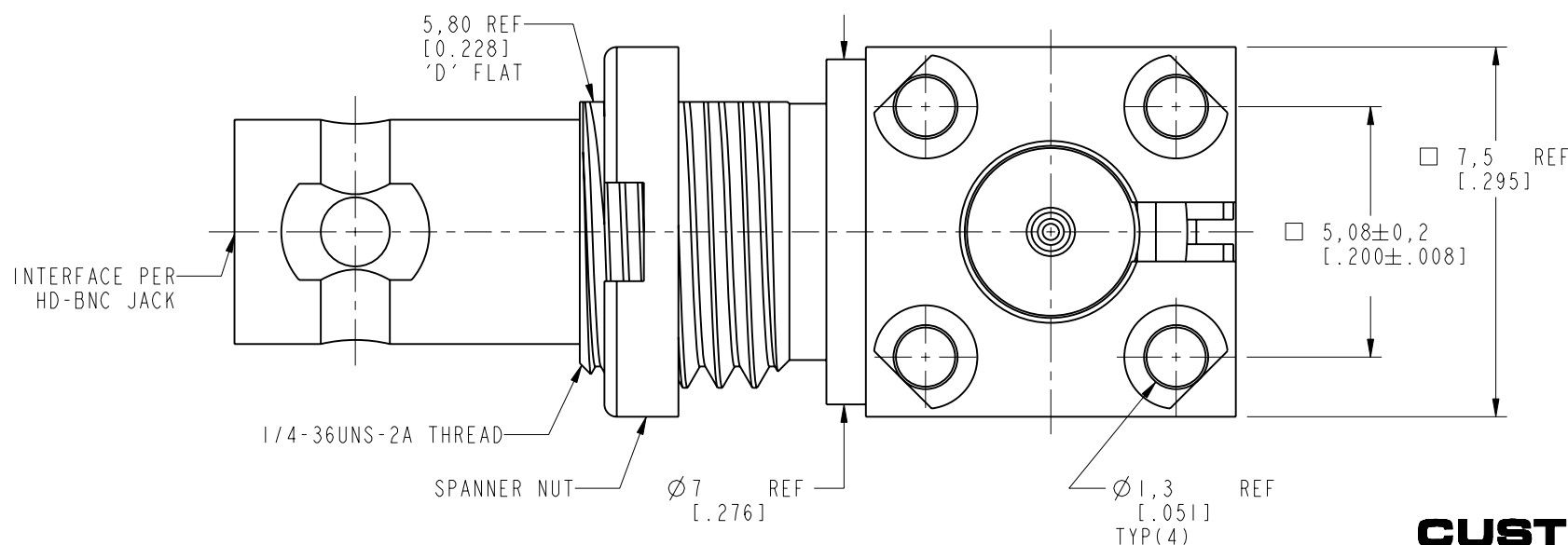


SCALE 3.000



**RECOMMENDED PCB LAYOUT**

SCALE 6.000



SCALE 6.000

**RECOMMENDED MOUNTING HOLE DIMENSIONS**

**CUSTOMER OUTLINE DRAWING**

ALL OTHER SHEETS ARE FOR INTERNAL USE ONLY

UNLESS OTHERWISE SPECIFIED, DIMENSIONS ARE IN METRIC AND TOLERANCES ARE:  
 <0.5mm ±0.05mm    0.5 - 6mm ±0.1mm    6 - 30mm ±0.2mm    30 - 120mm ±0.3mm    ANGLES ±1°

NOTICE - These drawings, specifications, or other data (1) are, and remain the property of Amphenol corp. (2) must be returned upon request; and (3) are confidential and not to be disclosed to any person other than those to whom they are given by Amphenol Corp. the furnishing of these drawings, specifications, or other data by Amphenol Corp., or to any other person to anyone for any purpose is not to be regarded by implication or otherwise in any manner licensing, granting rights to permitting such holder or any other person to manufacture, use or sell any product, process or design, patented or otherwise, that may in any way be related to or disclosed by said drawings, specifications, or other data.

MATERIAL	SEE NOTES
REFERENCE	EAR # 4028
CONFIGURATION LEVEL:	In Work
FINISH	

DRAWN	M. ZHANG	DATE	03-Mar-16
ENGINEER	KARTHIK R	DATE	19-Feb-16
APPROVED	S. HSIEH	DATE	03-Mar-16
CAD FILE			

TITLE		HD BNC RA BHD JACK PCB MOUNT	
SCALE:	7.0:1.0	SHEET	2 OF 6
DWG SIZE	B	REV	A

Amphenol RF	
www.amphenolrf.com	
DRAWING NO.	34-1030-12G
ITEM NO.	34-1030-12G
PART NO.	34-1030-12G

THIRD ANGLE PROJ.

REVISIONS

REV	DESCRIPTION	DATE	ECO	APPR
A	RELEASE TO MFG	03-Mar-16	51040	MJD

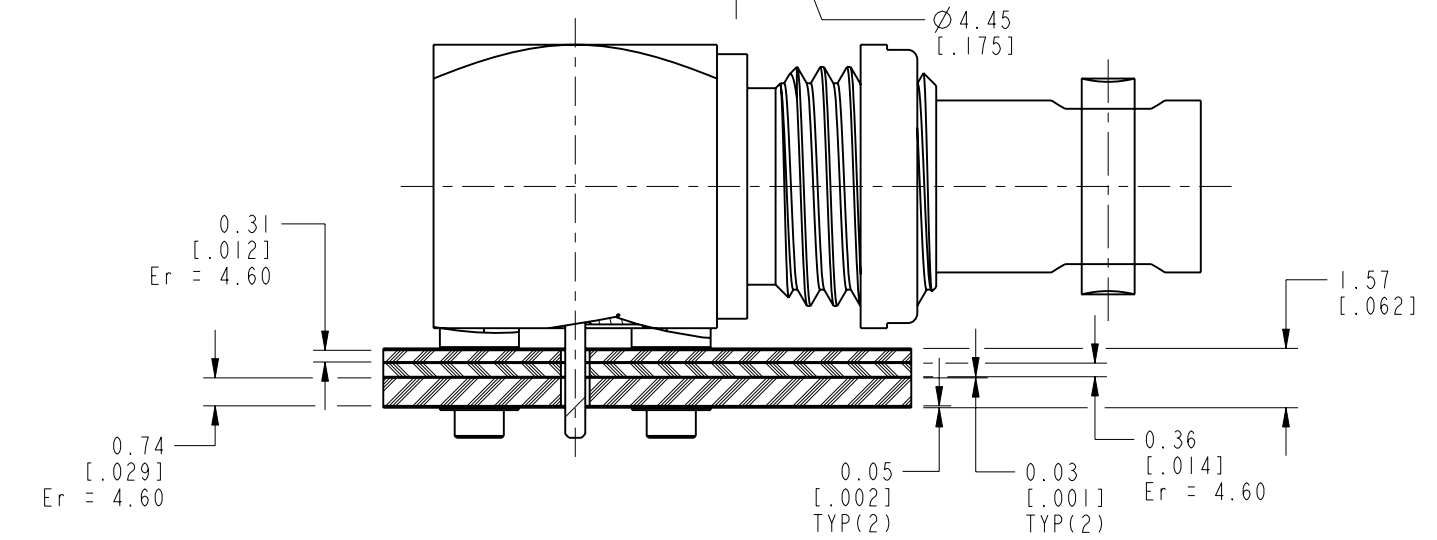
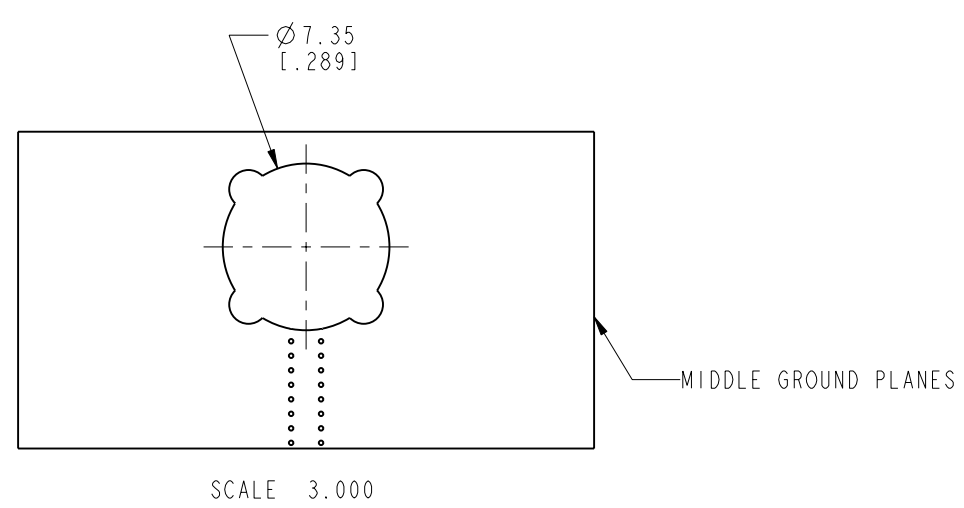
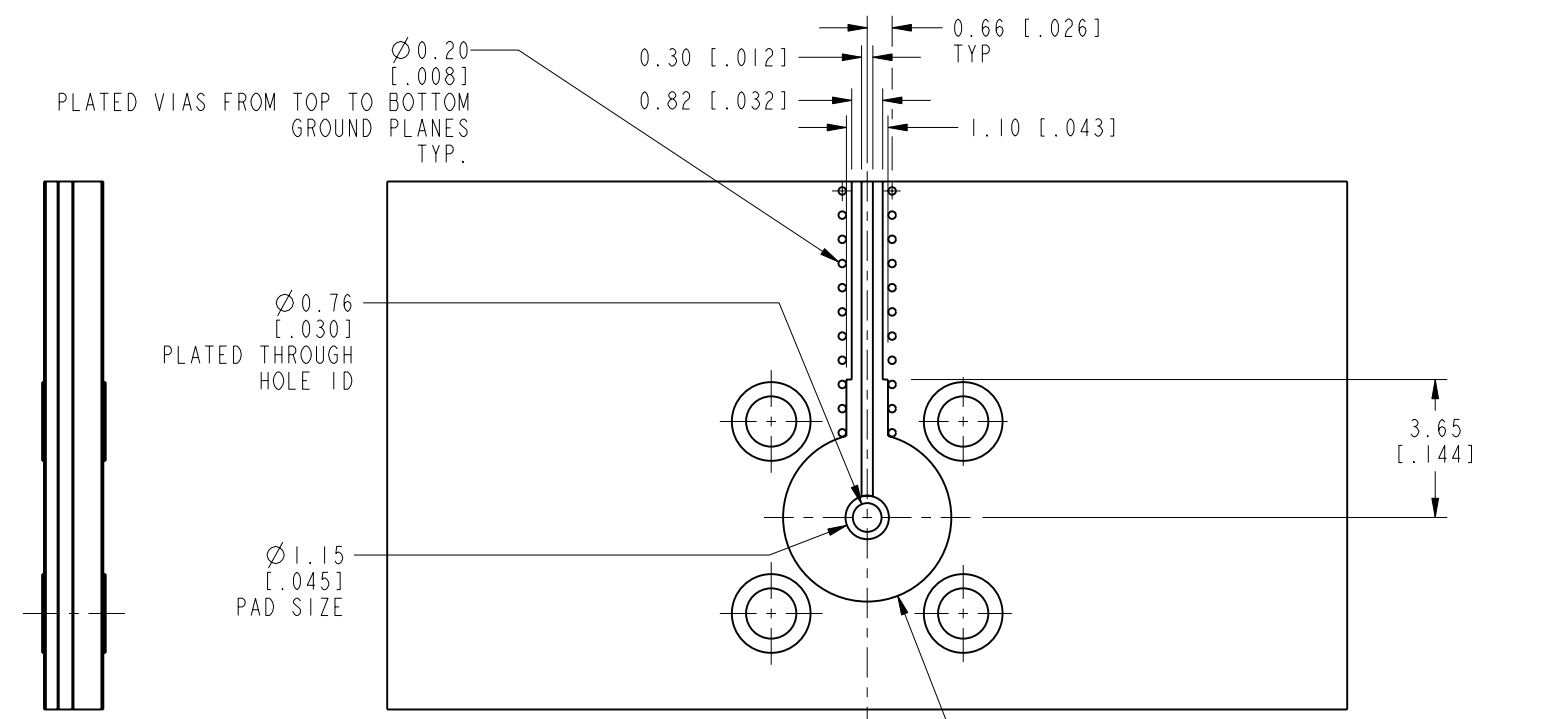
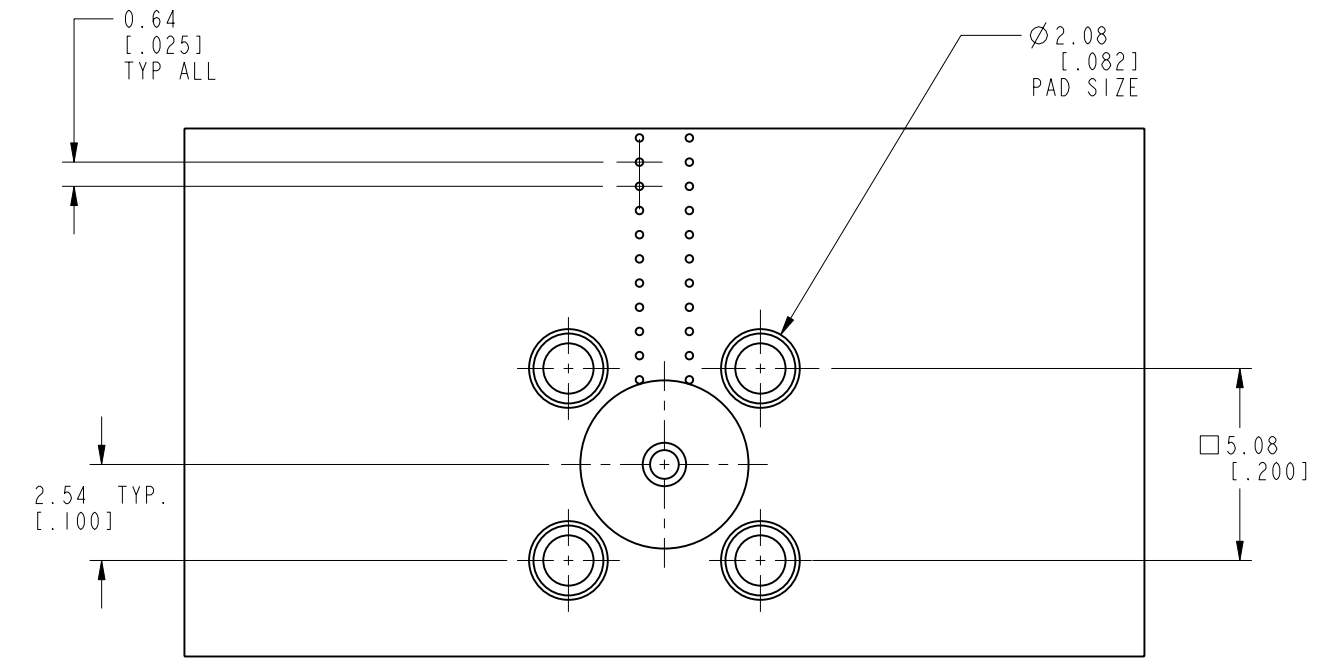
# CONFIGURATION-O

## RECOMMENDED PCB LAUNCH FOR OPTIMAL RF PERFORMANCE

VARIATIONS IN BOARD MATERIAL AND TRACE MAY REQUIRE DIFFERENT GEOMETRY  
PLEASE CONTACT AMPHENOL RF FOR LAUNCH OPTIMIZATION

### BOTTOM LAYER

### TOP LAYER



UNLESS OTHERWISE SPECIFIED, DIMENSIONS ARE IN METRIC AND TOLERANCES ARE:  
 < 0.5mm ± 0.05mm    0.5 - 6mm ± 0.1mm    6 - 30mm ± 0.2mm    30 - 120mm ± 0.3mm    ANGLES ± 1°

NOTICE - These drawings, specifications, or other data (1) are, and remain the property of Amphenol corp. (2) must be returned upon request; and (3) are confidential and not to be disclosed to any person other than those to whom they are given by Amphenol Corp. the furnishing of these drawings, specifications, or other data by Amphenol Corp., or to any other person to anyone for any purpose is not to be regarded by implication or otherwise in any manner licensing, granting rights to permitting such holder or any other person to manufacture, use or sell any product, process or design, patented or otherwise, that may in any way be related to or disclosed by said drawings, specifications, or other data.

MATERIAL	DRAWN M. ZHANG	DATE 03-Mar-16
REFERENCE EAR # 4028	ENGINEER KARTHIK R	DATE 19-Feb-16
CONFIGURATION LEVEL: In Work	APPROVED S. HSIEH	DATE 03-Mar-16
FINISH	CAD FILE	

TITLE HD BNC RA BHD JACK PCB MOUNT
SCALE: 5.0:1.0    SHEET 3 OF 6
DWG SIZE B
REV A

Amphenol RF www.amphenolrf.com	
DRAWING NO.	34-1030-12G
ITEM NO.	34-1030-12G
PART NO.	34-1030-12G

# CONFIGURATION-1

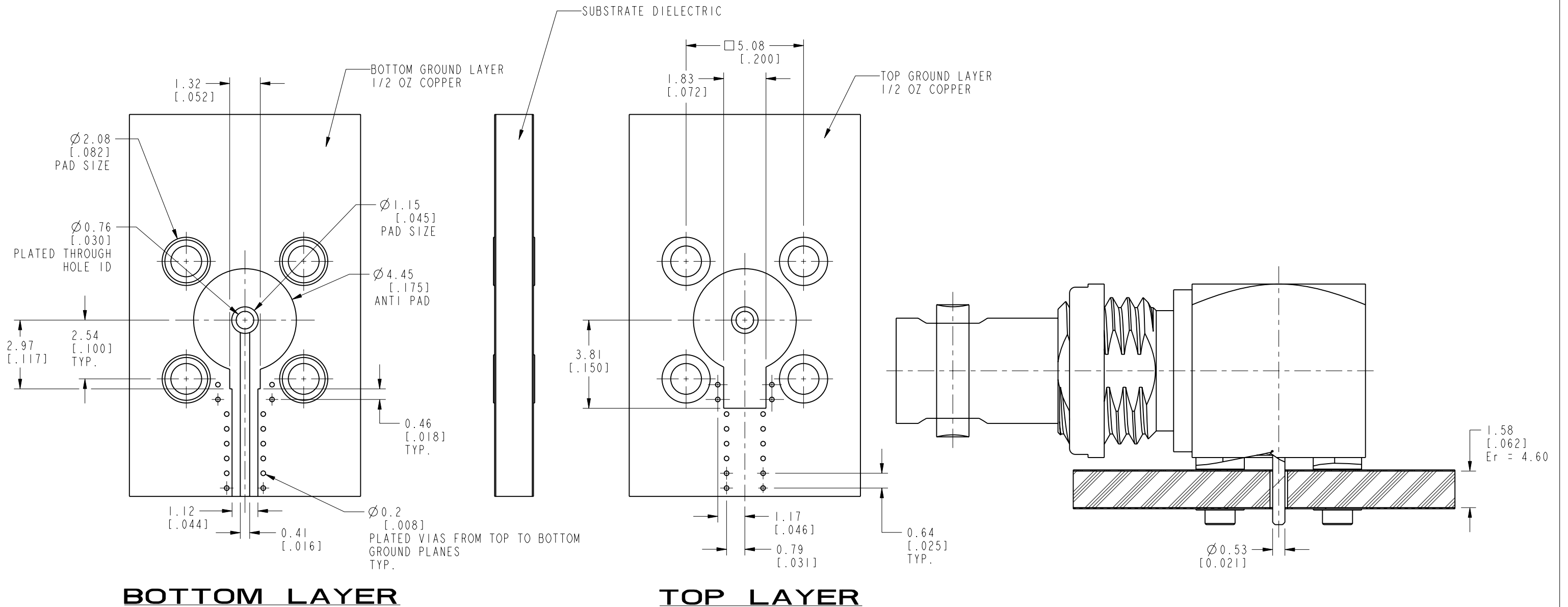
THIRD ANGLE PROJ.

REVISIONS

REV	DESCRIPTION	DATE	ECO	APPR
A	RELEASE TO MFG	03-Mar-16	51040	MJD

# RECOMMENDED PCB LAUNCH FOR OPTIMAL RF PERFORMANCE

VARIATIONS IN BOARD MATERIAL AND TRACE MAY REQUIRE DIFFERENT GEOMETRY  
PLEASE CONTACT AMPHENOL RF FOR LAUNCH OPTIMIZATION



UNLESS OTHERWISE SPECIFIED, DIMENSIONS ARE IN METRIC AND TOLERANCES ARE:  
 < 0.5mm ± 0.05mm    0.5 - 6mm ± 0.1mm    6 - 30mm ± 0.2mm    30 - 120mm ± 0.3mm    ANGLES ± 1°

NOTICE - These drawings, specifications, or other data (1) are, and remain the property of Amphenol corp. (2) must be returned upon request; and (3) are confidential and not to be disclosed to any person other than those to whom they are given by Amphenol Corp. the furnishing of these drawings, specifications, or other data by Amphenol Corp., or to any other person to anyone for any purpose is not to be regarded by implication or otherwise in any manner licensing, granting rights to permitting such holder or any other person to manufacture, use or sell any product, process or design, patented or otherwise, that may in any way be related to or disclosed by said drawings, specifications, or other data.

MATERIAL	DRAWN M. ZHANG	DATE 03-Mar-16
REFERENCE EAR # 4028	ENGINEER KARTHIK R	DATE 19-Feb-16
CONFIGURATION LEVEL: In Work	APPROVED S. HSIEH	DATE 03-Mar-16
FINISH	CAD FILE	

TITLE HD BNC RA BHD JACK PCB MOUNT
SCALE: 6.0:1.0    SHEET 4 OF 6
DWG SIZE B
REV A

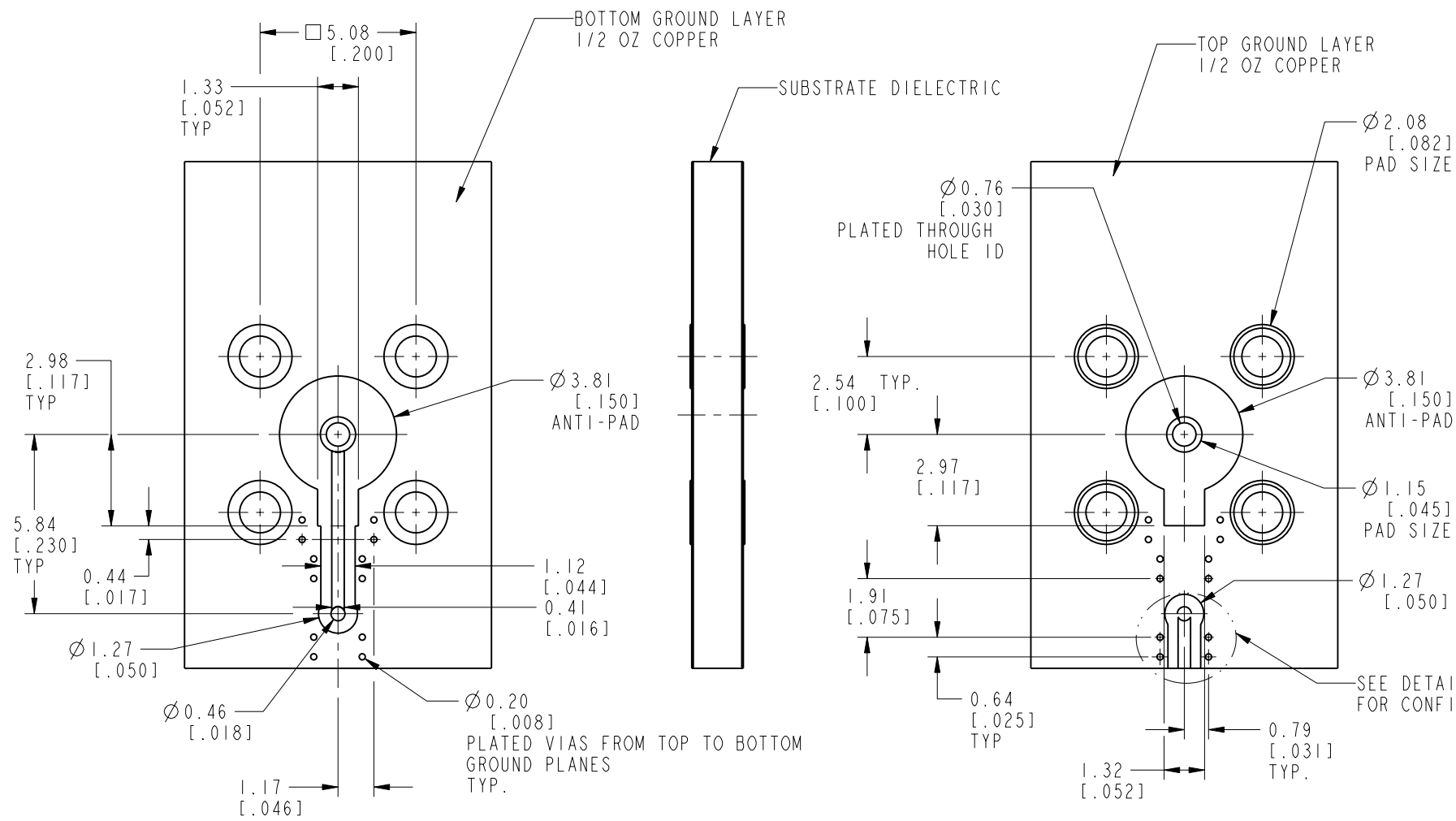
Amphenol RF www.amphenolrf.com	
DRAWING NO. 34-1030-12G	
ITEM NO. 34-1030-12G	
PART NO. 34-1030-12G	

REV	DESCRIPTION	DATE	ECO	APPR
A	RELEASE TO MFG	03-Mar-16	51040	MJD

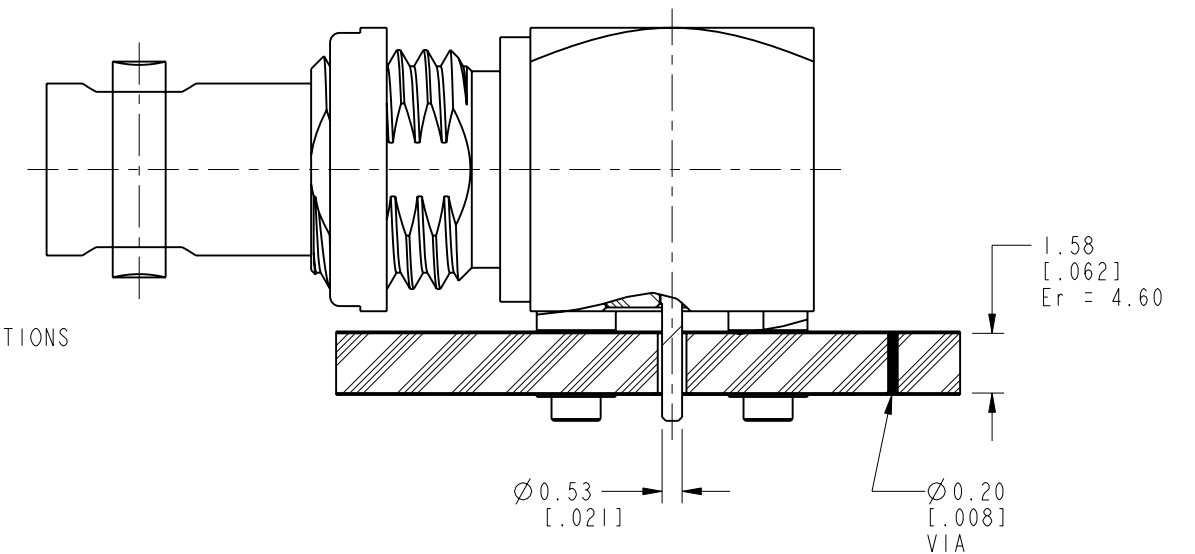
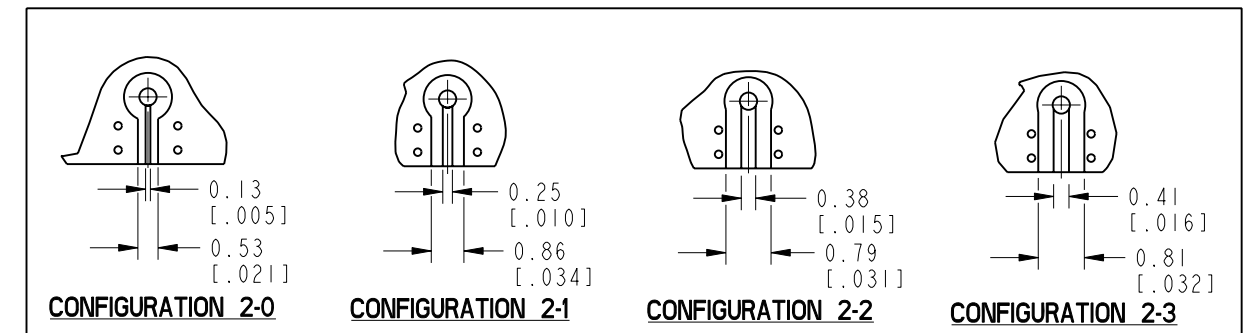
**CONFIGURATION-2**

# RECOMMENDED PCB LAUNCH FOR OPTIMAL RF PERFORMANCE

VARIATIONS IN BOARD MATERIAL AND TRACE MAY REQUIRE DIFFERENT GEOMETRY  
PLEASE CONTACT AMPHENOL RF FOR LAUNCH OPTIMIZATION



**DETAIL A**



**BOTTOM LAYER**

**TOP LAYER**

UNLESS OTHERWISE SPECIFIED, DIMENSIONS ARE IN METRIC AND TOLERANCES ARE:  
 < 0.5mm ± 0.05mm    0.5 - 6mm ± 0.1mm    6 - 30mm ± 0.2mm    30 - 120mm ± 0.3mm    ANGLES ± 1°

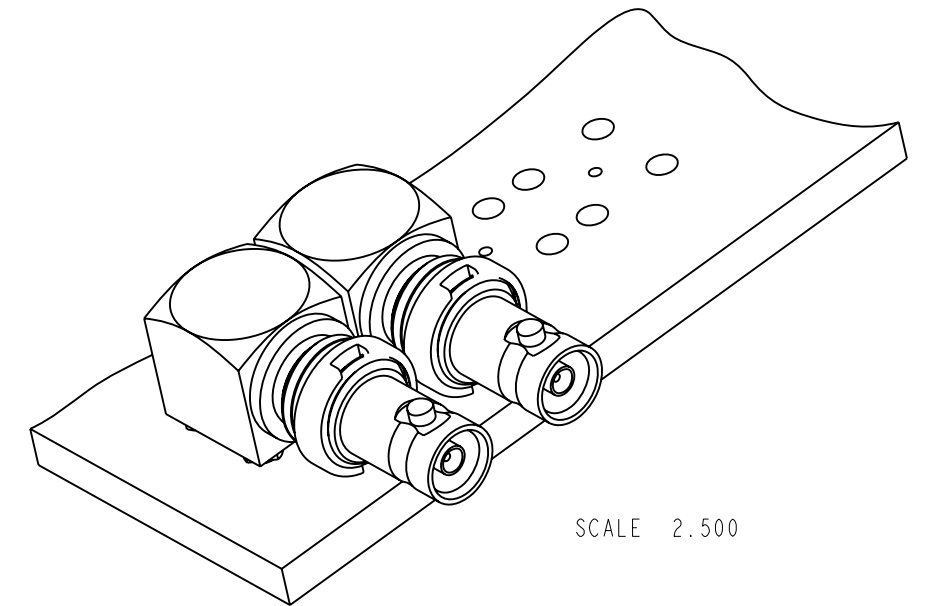
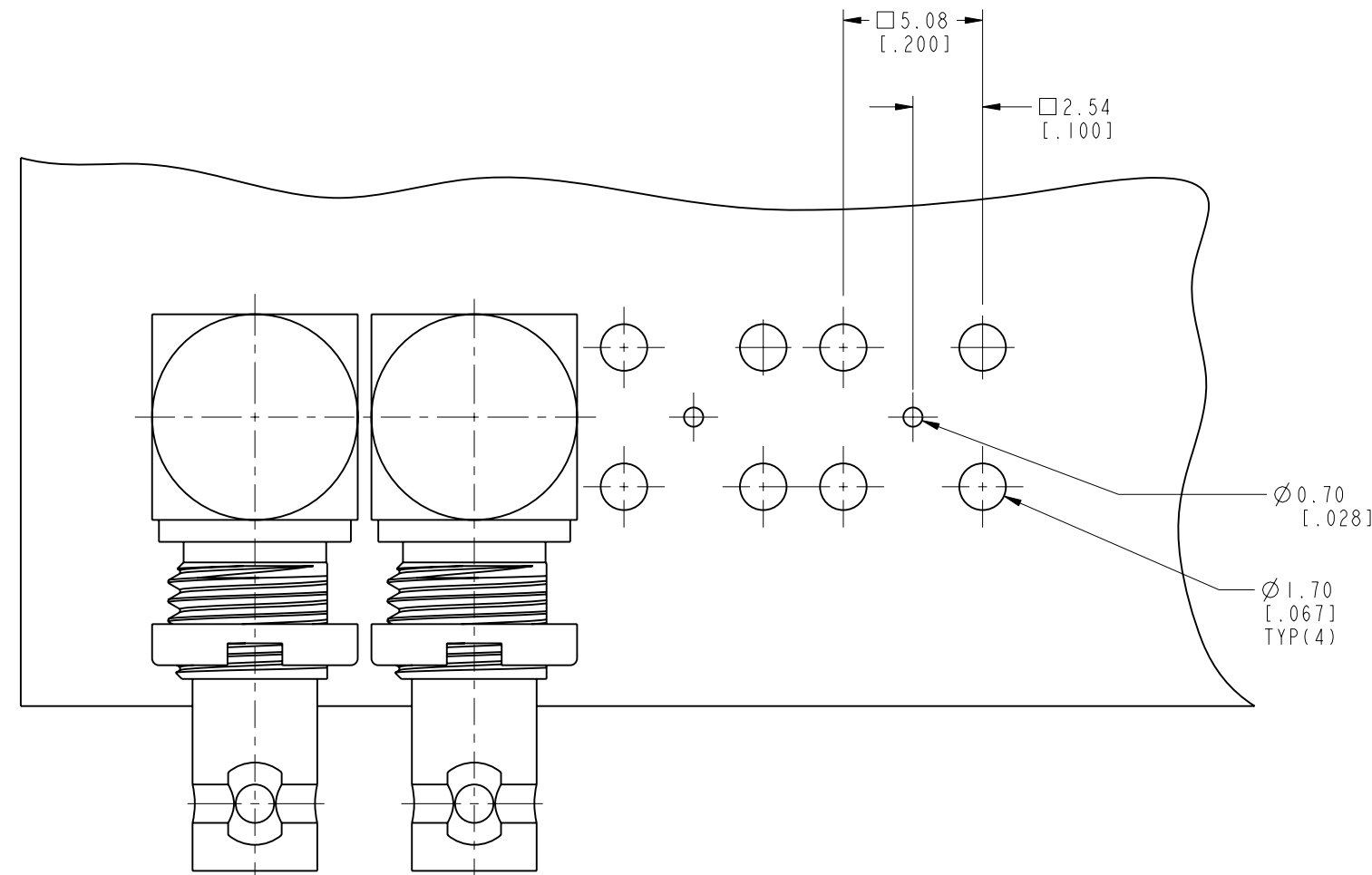
NOTICE - These drawings, specifications, or other data (1) are, and remain the property of Amphenol corp. (2) must be returned upon request; and (3) are confidential and not to be disclosed to any person other than those to whom they are given by Amphenol Corp. the furnishing of these drawings, specifications, or other data by Amphenol Corp., or to any other person to anyone for any purpose is not to be regarded by implication or otherwise in any manner licensing, granting rights to permitting such holder or any other person to manufacture, use or sell any product, process or design, patented or otherwise, that may in any way be related to or disclosed by said drawings, specifications, or other data.

MATERIAL	DRAWN M. ZHANG	DATE 03-Mar-16	TITLE HD BNC RA BHD JACK PCB MOUNT		Amphenol RF www.amphenolrf.com	
REFERENCE EAR # 4028	ENGINEER KARTHIK R	DATE 19-Feb-16				
CONFIGURATION LEVEL: In Work	APPROVED S. HSIEH	DATE 03-Mar-16	SCALE: 5.0:1.0	SHEET 5 OF 6	DRAWING NO. 34-1030-12G	ITEM NO. 34-1030-12G
FINISH	CAD FILE		DWG SIZE B	REV A	PART NO. 34-1030-12G	

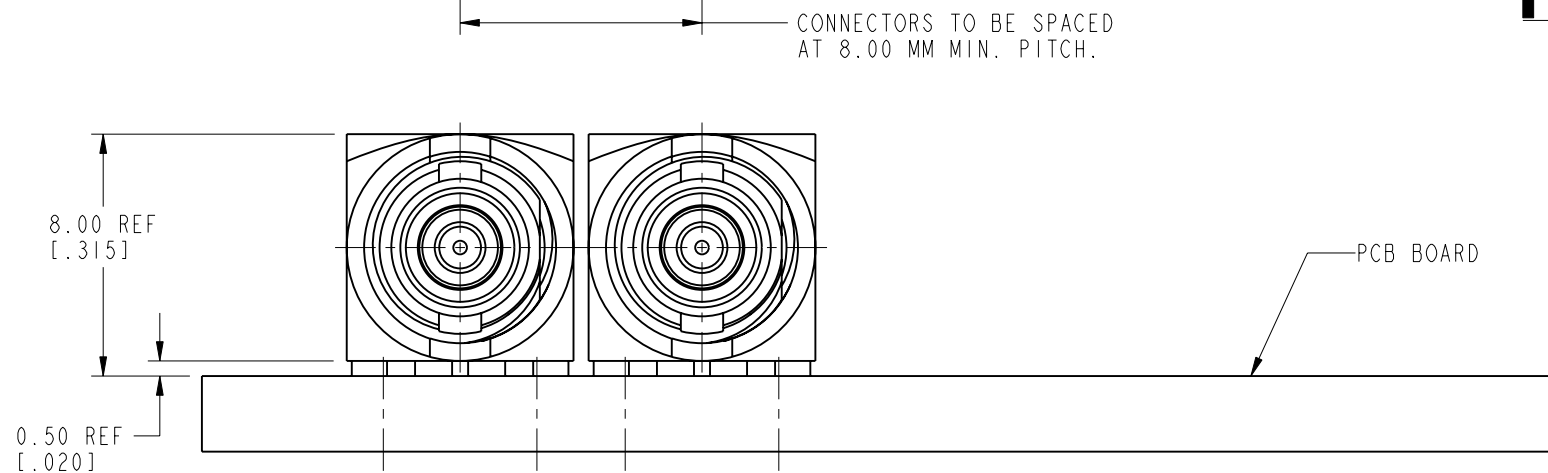
THIRD ANGLE PROJ.

REVISIONS

REV	DESCRIPTION	DATE	ECO	APPR
A	RELEASE TO MFG	03-Mar-16	51040	MJD



# RECOMMENDED PCB MOUNTING HOLES



## CUSTOMER OUTLINE DRAWING

ALL OTHER SHEETS ARE FOR INTERNAL USE ONLY

UNLESS OTHERWISE SPECIFIED, DIMENSIONS ARE IN METRIC AND TOLERANCES ARE:  
 <0.5mm ±0.05mm    0.5 - 6mm ±0.1mm    6 - 30mm ±0.2mm    30 - 120mm ±0.3mm    ANGLES ±1°

NOTICE - These drawings, specifications, or other data (1) are, and remain the property of Amphenol corp. (2) must be returned upon request; and (3) are confidential and not to be disclosed to any person other than those to whom they are given by Amphenol Corp. the furnishing of these drawings, specifications, or other data by Amphenol Corp., or to any other person for any purpose is not to be regarded by implication or otherwise in any manner licensing, granting rights to permitting such holder or any other person to manufacture, use or sell any product, process or design, patented or otherwise, that may in any way be related to or disclosed by said drawings, specifications, or other data.

MATERIAL	DRAWN M. ZHANG	DATE 03-Mar-16
REFERENCE EAR # 4028	ENGINEER KARTHIK R	DATE 19-Feb-16
CONFIGURATION LEVEL: In Work	APPROVED S. HSIEH	DATE 03-Mar-16
FINISH	CAD FILE	

TITLE HD BNC RA BHD JACK PCB MOUNT
SCALE: 4.0:1.0    SHEET 6 OF 6
DWG SIZE B
REV A

Amphenol RF www.amphenolrf.com
DRAWING NO. 34-1030-12G
ITEM NO. 34-1030-12G
PART NO. 34-1030-12G