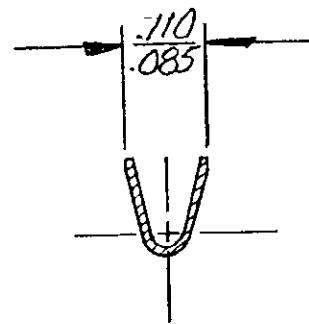
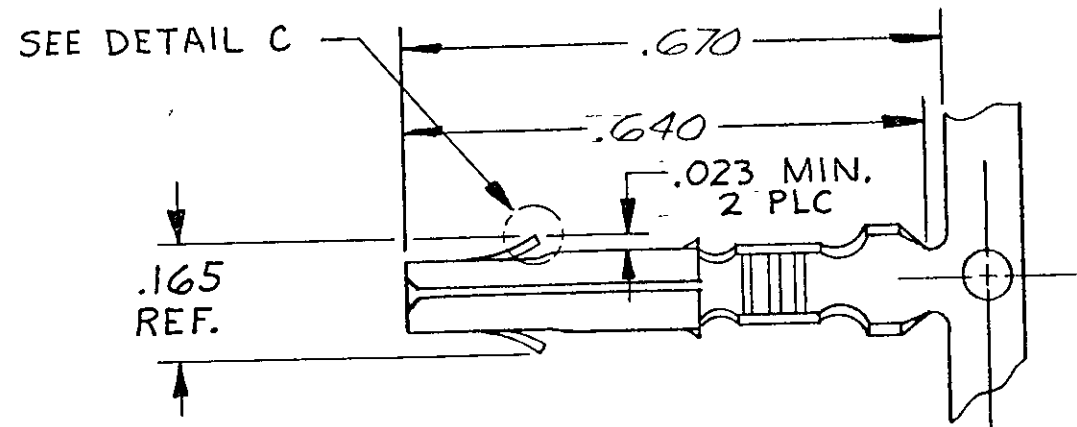


DRAWING MADE IN THIRD ANGLE PROJECTION

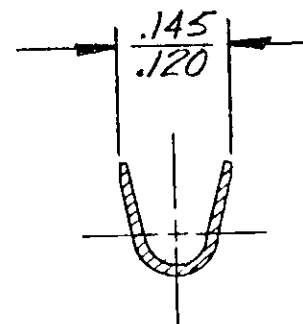
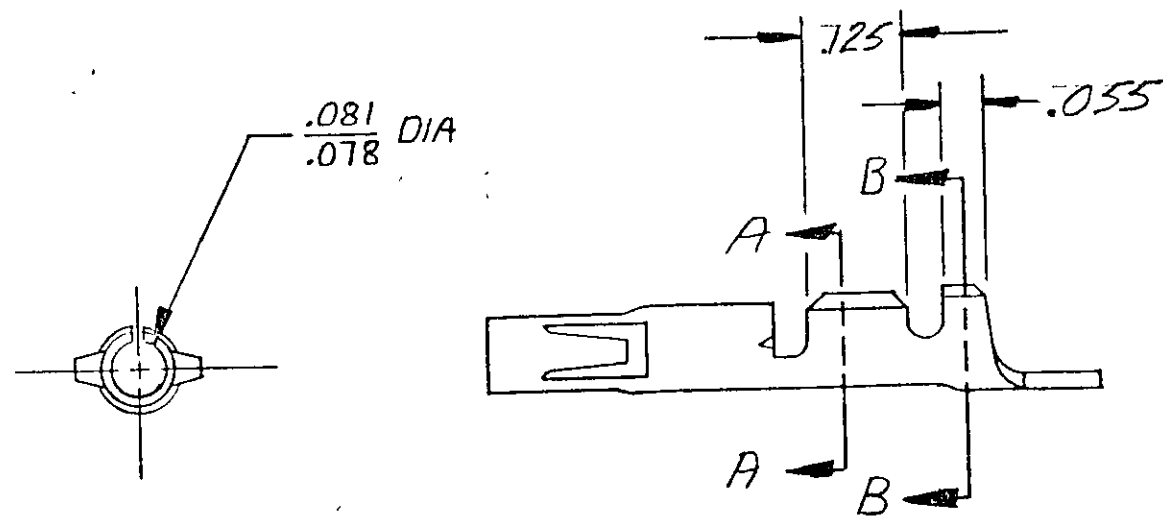
© COPYRIGHT 1973 BY AMP INCORPORATED, HARRISBURG, PA.
 ALL INTERNATIONAL RIGHTS RESERVED. AMP INCORPORATED PRODUCTS
 COVERED BY U. S. AND FOREIGN PATENTS AND/OR PATENTS PENDING.

1 LOC CM DIST 53

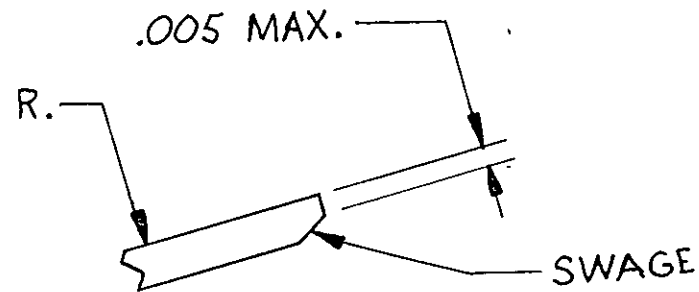
P		F		REVISIONS		DATE	APPROVED
ZONE	LTR	DESCRIPTION					
✓	✓	E		REDWN W/O CHANGE	M-5090	5-3-78	JW/DH.
✓		E		RESTORED		4/3/85	BKD/RS
✓		F		OBSOLETE -7	CM-473	4-15-86	JW/RS
✓		G		OBSOLETE -2 PER ECN	CM-761	4/28/87	PKC TB
		H		REV PER EC	0730-3607-91	1-6-94	RV RS



SECTION A-A



SECTION B-B



DETAIL C

.100 MAX	24-18 AWG			
		BRASS	PRE-TIN	350560-1
INSULATION RANGE	WIRE RANGE	MATL	FINISH	PART NO

UNLESS OTHERWISE SPECIFIED DIMENSIONS ARE IN INCHES. TOLERANCES ON: DECIMALS ± .015 ANGLES ± 1°	CONTRACT NO	AMP INCORPORATED Harrisburg, Pa	
	DR <i>J. Williams</i> 5-3-78		
MATERIAL	CHK <i>D.S. Heide</i> 11/16/78	NAME	
SEE TABLE	APPD <i>A.F. TRAVIS</i> 11/12	SOCKET, MATE-N-LOK,™ DUAL LANCE	
FINISH	DSGN APPD	SIZE	DRAWING NO
SEE TABLE	OTHER APPD	B	00779
		SCALE	350560
			SHEET 1 OF 1

CUSTOMER DRAWING