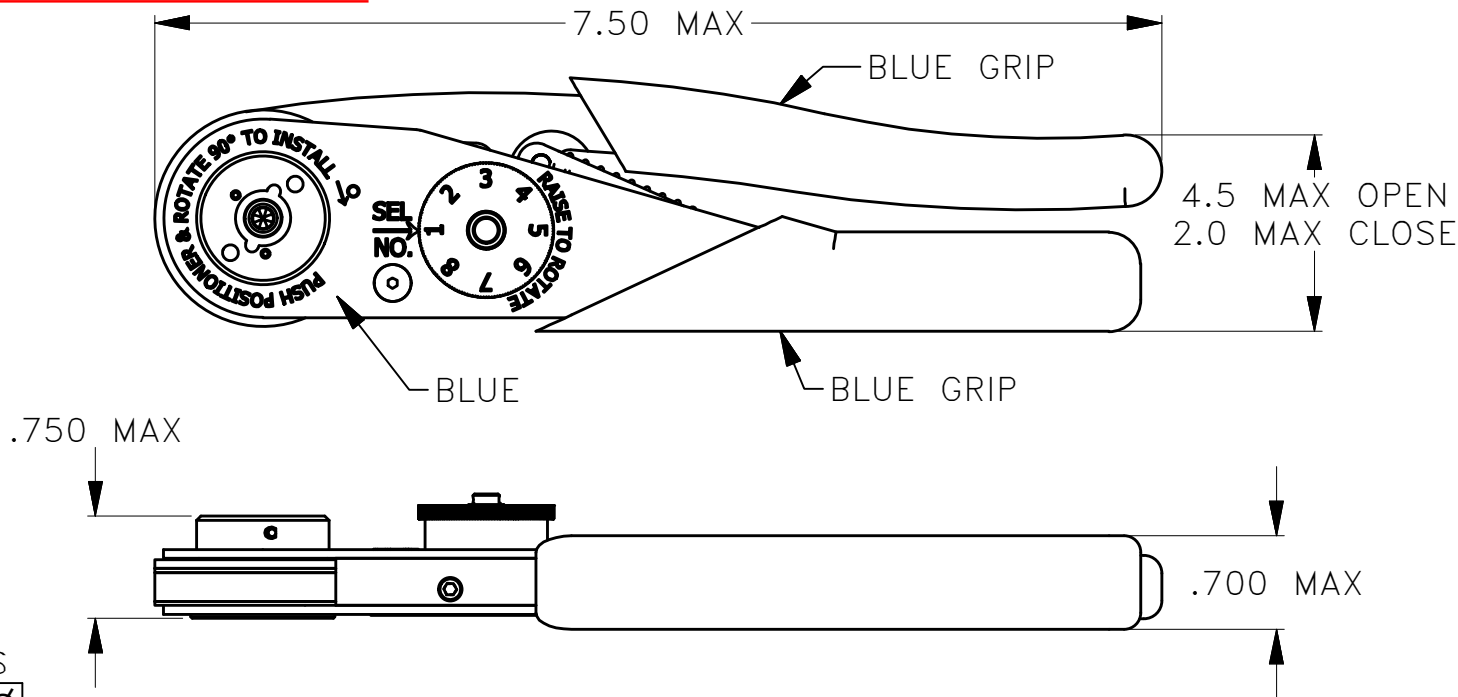


UNCONTROLLED DOCUMENT WILL NOT BE UPDATED

REVISIONS				
REV SYM	ECO NUMBER	DESCRIPTION	BY DATE	APP'D DATE
A		INITIAL RELEASE	MMK 3/20/12	



GAGING LIMITS OF INDENTERS

SEL NO	GO Ø ±.0001	NOGO Ø ±.0001
1	.0130	.0180
2	.0160	.0210
3	.0190	.0240
4	.0220	.0270
5	.0260	.0310
6	.0300	.0350
7	.0340	.0390
8	.0390	.0440

NOTES:

1. THIS IS AN ICAD DRAWING DO NOT CHANGE MANUALLY.
2. USE ASTRO GAGE P/N 615716 AT SELECTOR SETTING #8.

THESE DRAWINGS, SPECIFICATIONS OR OTHER DATA ARE AND REMAIN, THE PROPERTY OF ASTRO TOOL CORP. AND MUST BE RETURNED UPON REQUEST. THEY CONTAIN INFORMATION OWNED AND/OR DEVELOPED BY ASTRO AT ITS OWN PRIVATE EXPENSE AND MAY NOT BE USED, DUPLICATED OR DISCLOSED TO OTHERS, IN WHOLE OR IN PART FOR DESIGN, MANUFACTURE, OR PROCUREMENT WITHOUT THE WRITTEN PERMISSION OF ASTRO TOOL CORP. EACH AND EVERY TIME.

CREATED FROM AN INVENTOR MODEL.
CHANGES MUST BE REFLECTED IN THE 3D PART

DO NOT SCALE DRAWING

MATERIAL	ITEM	PART NO.	QTY.	DESCRIPTION/REMARKS
N/A	DRN. M.KANETOMI	DATE 3/20/12		CAGE 58164
	CHK'D.	DATE		
HEAT TREAT	APP'D.	DATE		TITLE
N/A	APP'D.	DATE		ENVELOPE DRAWING: 615717 CRIMPT TOOL (M22520/2-01)
FINISH	TOLERANCE: UNLESS OTHERWISE SPECIFIED FRACTIONS ± 1/32 ANGLES ± 1° DECIMAL INCHES: .X ± .030 .XX ± .010 .XXX ± .005 .XXXX ± .0005 REMOVE BURRS AND BREAK SHARP EDGES .005-.015		WHERE USED:	
N/A	SIZE A	SCALE .75:1	CAD P/N 615717_ENV	SHEET OF 1 1
	POSTING	P/N 615717-ENV	REV. A	

