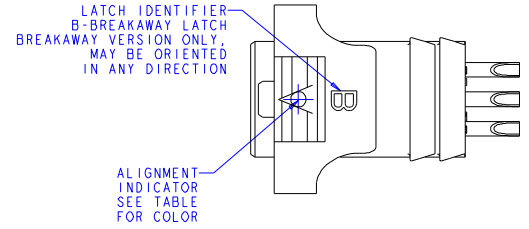
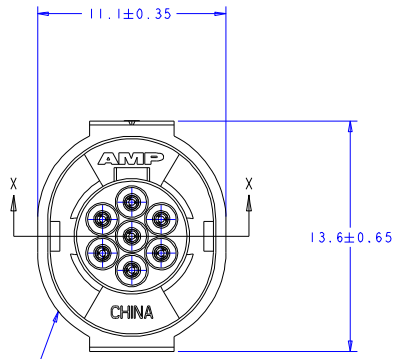


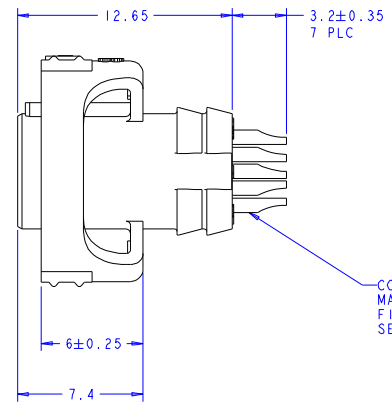
REV	DESCRIPTION	DATE	BY	APP
8	REVISED	13MAY03	BH	KD
9	ADDED 'B', A REF, 30° WAS 10°	5-28-03	GD	KD
10	ADDED P/NS: 03, 04, 06, 08, 11--0, 11--2 AND NOTE	4-14-04		



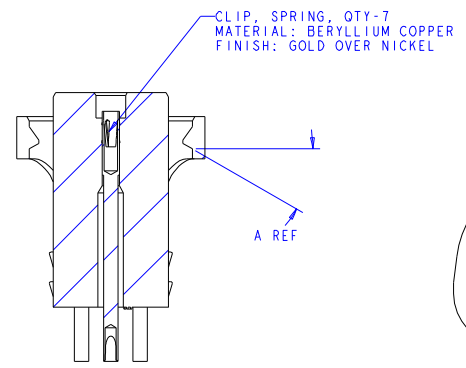
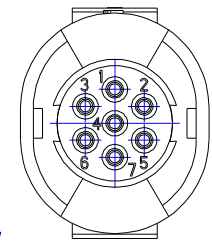
THIS PRODUCT HAS NOT COMPLETED VALIDATION TESTING



HOUSING, QTY-1
 MATERIAL: THERMOPLASTIC, COLOR-SEE TABLE

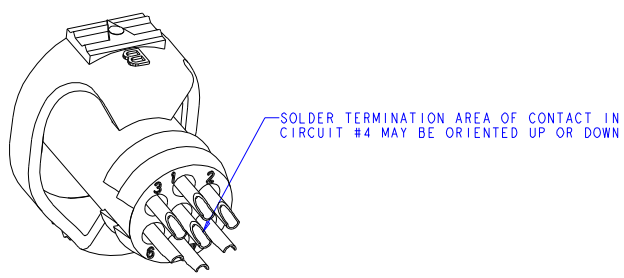


CONTACT, SOCKET, SOLDER CUP, QTY-7
 MATERIAL: BRASS
 FINISH: TIN OVER NICKEL
 SEE VIEW Y FOR CONTACT ORIENTATION



CLIP, SPRING, QTY-7
 MATERIAL: BERYLLIUM COPPER
 FINISH: GOLD OVER NICKEL

SECTION X-X



SOLDER TERMINATION AREA OF CONTACT IN CIRCUIT #4 MAY BE ORIENTED UP OR DOWN

VIEW Y

△ PRELIMINARY PART NUMBER

HOUSING COLOR	INDICATOR COLOR	CONTACT CIRCUITS	LATCH	A REF	PART NUMBER
WHITE	WHITE	1, 7	BREAKAWAY	30°	△ 1-1445642-2
BLACK	WHITE	1, 7	POSITIVE	0°	△ 1-1445642-1
WHITE	WHITE	2, 3, 7	BREAKAWAY	30°	△ 1-1445642-0
BLACK	WHITE	2, 3, 7	POSITIVE	0°	△ 1445642-09
WHITE	WHITE	2, 3, 5, 6	BREAKAWAY	30°	△ 1445642-08
BLACK	WHITE	2, 3, 5, 6	POSITIVE	0°	△ 1445642-07
WHITE	WHITE	2, 3, 4, 5, 6	BREAKAWAY	30°	△ 1445642-06
BLACK	WHITE	2, 3, 4, 5, 6	POSITIVE	0°	△ 1445642-05
WHITE	WHITE	1, 2, 3, 5, 6, 7	BREAKAWAY	30°	△ 1445642-04
BLACK	WHITE	1, 2, 3, 5, 6, 7	POSITIVE	0°	△ 1445642-03
WHITE	WHITE	ALL	BREAKAWAY	30°	△ 1445642-02
BLACK	WHITE	ALL	POSITIVE	0°	1445642-01

DIMENSIONS: mm		DATE: 18JUN2001		BY: SHANE WELSH	
DRAWN BY: SHANE WELSH		DATE: 18JUN2001		BY: SHANE WELSH	
CHECKED BY: SHANE WELSH		DATE: 18JUN2001		BY: SHANE WELSH	
APPROVED BY: SHANE WELSH		DATE: 18JUN2001		BY: SHANE WELSH	
TITLE: ASSEMBLY, PLUG, SOCKET, SOLDER CUP, MICRO CPC		PART NUMBER: 1445642		SCALE: 1:1	
MATERIAL: THERMOPLASTIC		FINISH: TIN OVER NICKEL		CUSTOMER DRAWING	