

5

4

3

2

1

D

C

B

A



Description: HI-Density Crimp 15 Pin Socket
 Part No: 40-9415HDS
 Application: 94 Series D-Sub Connector
 Crimp Tool: N/A
 Impedance: N/A
 Frequency Range: N/A
 Material: Shell Steel, Tin plated
 Insulator PBT+Fiber-grass, UL94-V0
 RoHS Compliance: Yes
 Technical Detail: N/A

受控 CONTROLLED DOCUMENT

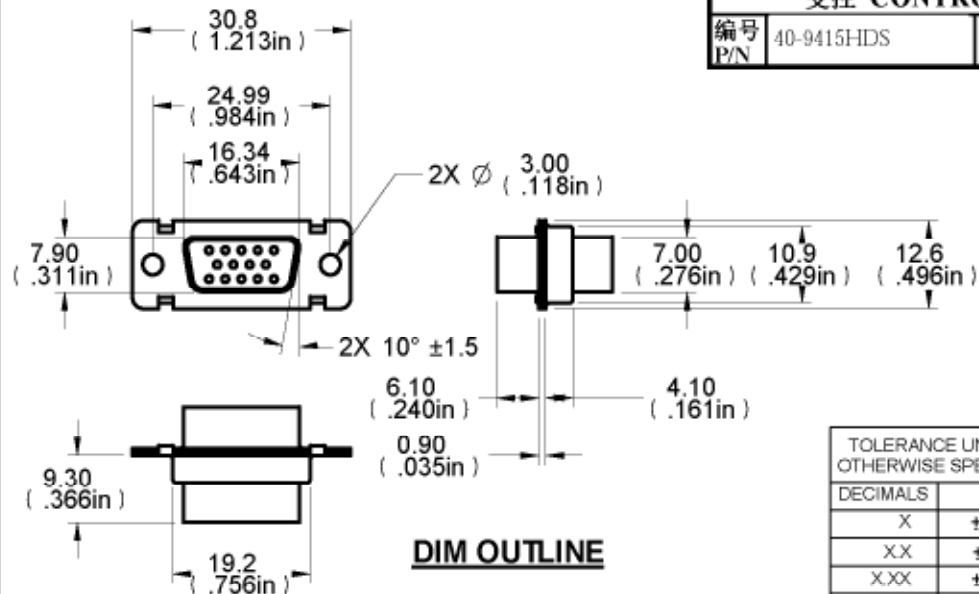
编号 P/N	40-9415HDS	版本 Rev	01	日期 Rel'd Date	DEC 17, 09
-----------	------------	-----------	----	------------------	------------

DRAWING NO.
40-9415HDS-CUST

REVISIONS

01	OFFICIAL RELEASE			
	11-26-09	Y	U	H

Betty 10/31/11
10/31/11
10/31/11



CUSTOMER COPY



TOLERANCE UNLESS OTHERWISE SPECIFIED	DRAWN BY	DATE
DECIMALS	BETTY.YU	11-26-09
X	CHECKED BY	DATE
+ 0.5	BETTY.YU	11-26-09
XX	APPROVED BY	DATE
+ 0.3	THOMAS	11-26-09
X.XX	U/M	mm
+ 0.2		
ANGLES		
+ 0.5°		

TITLE
HI-DENSITY CRIMP 15 PIN SOCKET

SHEET 1 OF 1
DRAWING NO. 40-9415HDS-CUST
SIZE A

5

4

3

2

1