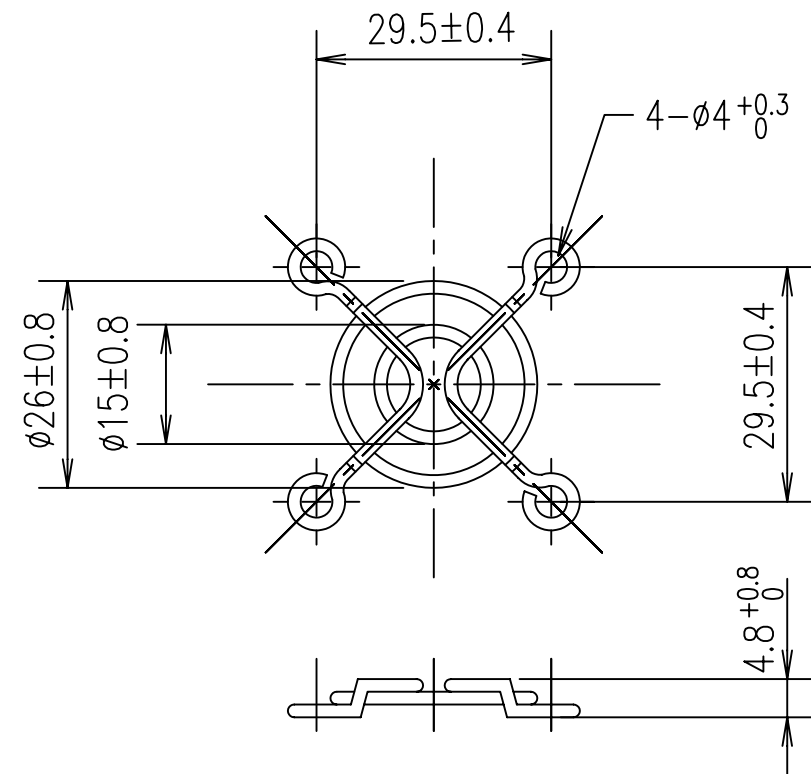


ITEM	PART NO.	DESCRIPTION	Q'TY	REV	DATE	DESCRIPTION	APPROVAL	REF.
1	KM36	36X36 FAN GUARD, 29.5X29.5, G.T. S30-2B4		0	08-DEC-08	ORIGINAL RELEASE	<i>MM</i>	
2								
3								
4								
5								



NOTES:

1. MATERIAL: SAE C1008 (OR EQUIVALENT) BRIGHT BASIC WIRE.
2. FINISH: BRIGHT NICKEL CHROME PLATING.
3. WELD JOINTS TO WITHSTAND 88 LBS PULL FORCE.
4. (1) RINGS ARE ± 1.6 MM.
(2) RIBS ARE ± 1.6 MM.
5. GENERAL TOLERANCE UNLESS NOTED: ± 0.5 MM.

UNLESS NOTED: TOLERANCES SHALL BE .X = ± 0.300 .XX = ± 0.150 .XXX = ± 0.075 ANGULAR = $\pm 2'$ THIS DRAWING IS THE PROPERTY OF SANYO DENKI AMERICA, INC. AND SHALL BE DEEMED AS PROPRIETARY INFORMATION. USE OF ANY INFORMATION CONTAINED HEREIN SHALL BE PROHIBITED WITHOUT WRITTEN PERMISSION OF SANYO AMERICA, INC.	REMARKS			SHOWN Q'TY	OPPOSITE Q'TY
	THIRD ANGLE	SCALE	MATERIAL	APPROVED BY: <i>MM</i>	DRAWN BY: <i>BEV</i>
	METRIC			DATE: 08-DEC-08	DATE: 08-DEC-08
	MODEL	NAME 36X36MM FAN FINGER GUARD			
SANYO DENKI AMERICA, INC. TORRANCE, CALIFORNIA, U.S.A.			DRAWING NO. KM36	REVISED 0	