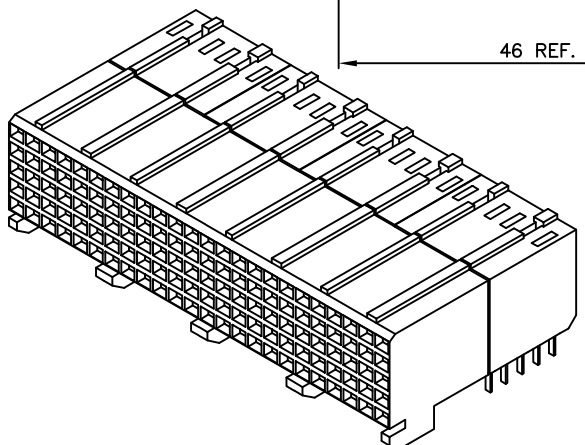
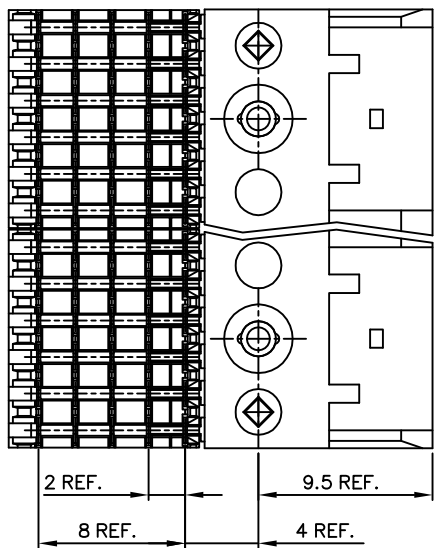
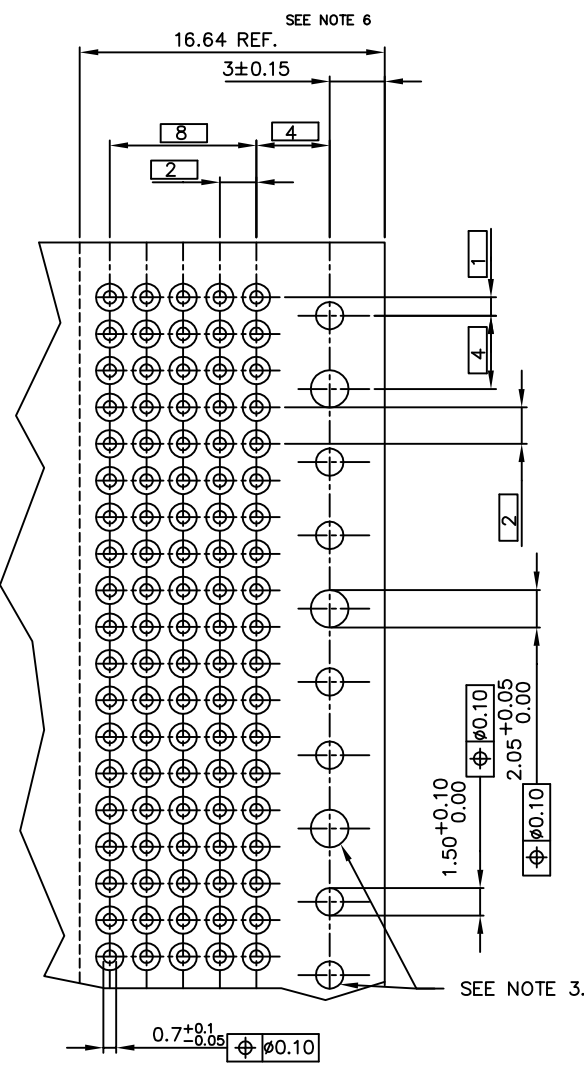
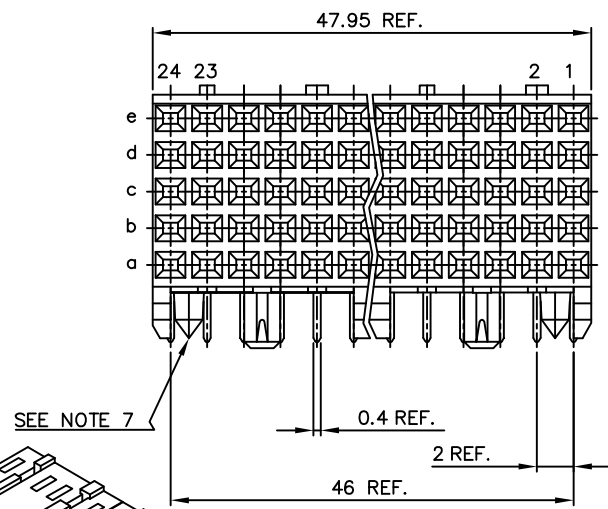
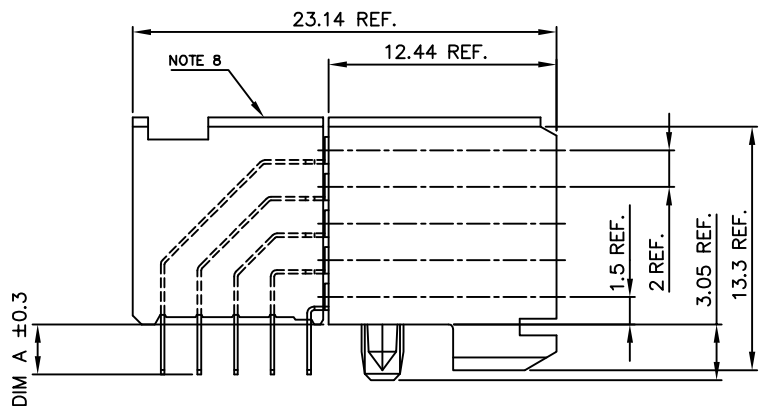


PLATING CONTACT AREA:	
DASH NR:	PERFORMANCE LEVEL
-1YY/1YYLF	TELCORDIA CO
-2YY/2YYLF	CUSTOMER SPECIAL
-3YY/3YYLF	CUSTOMER SPECIAL

PC BOARD VERSIONS			
PRODUCT NR:	PCB THICKNESS	DIM A	LOADING INFO.
85865-X02/X02LF	1.6	2.90	FULL LOADED
85865-X12/X12LF	2.4	3.53	FULL LOADED



- NOTES:
- BODY MAT'L: LIQUID CRYSTAL POLYMER 30% GLASS FLAME RETARDANT ACC. UL 94-V0
 - TERMINAL MATERIAL: PHOSPHOR BRONZE.
 - INDICATED HOLES ARE UNPLATED.
 - FOR PLATING SPEC, REFER TO DRAWING 10097866.
 - PRODUCT MARKING: PART NUMBER & BATCH ID.
 - SET BACK FOR TAIL BLOCK
 - DIAMOND LOCATION PEG ARE ONLY EXISTED ON THE BOTH SIDES OF PRODUCT.
 - TOP SURFACE OF PRESS BLOCK MAY EXTEND UP TO 0.4MM HIGHER THAN HOUSING. THIS MAY AFFECT THE TAIL LENGTH BEFORE APPLICATION TO A BOARD.
 - THIS PRODUCT MEETS EUROPEAN UNION DIRECTIVES AND OTHER COUNTRY REGULATIONS AS DESCRIBED IN GS-22-008.
 - THE HOUSING WILL WITHSTAND EXPOSURE TO 260DEGREE PEAK TEMPERATURE FOR 10 SECONDS IN A WAVE SOLDER APPLICATION.

RECOMMENDED HOLE PATTERN, COMPONENT SIDE.

All rights reserved. Reproduction or issue to third parties in any form without written authority from the proprietor. Property of FCI B.V. © FCI B.V.



PC BOARD THICKNESS \bar{n} 0.2 (SEE TABLE)

mat'l. code		tolerances unless otherwise specified		CUSTOMER COPY		FCI ELECTRONICS	
SEE NOTES				projection		www.falconconnect.com	
H	0604-0043	Clu	040623	linear		title	
J	0604-0104	Clu	041223			5 ROW R.A. S.T.B. SIGNAL RECEPT. 48mm MOD. P.P.	
K	0607-0189	Cent	05/15/07	angles		product family METRAL (tm) code	
L	0608-0171	TER	8/26/08	dr	R. VISSCHERS	941005	size
M	0609-0088	Cent	03/03/08	eng	E. FEIJEN	941006	dwg no
				chr	E. FEIJEN	941003	scale
G	0604-0036	Clu	040603	app	E. FEIJEN	941003	5:1
sheet	revision	M		A2		85865	sheet
index	sheet	1					1 of 1