

RAM HOLE PATTERN
(CONNECTOR SIDE)

NOTES:

1. MATERIALS: HOUSING - LIQUID CRYSTAL POLYMER (LCP), GLASS-FILLED, UL94V-0
TERMINALS - HIGH PERFORMANCE COPPER ALLOY
2. FINISH: 30µIN SELECTIVE GOLD IN CONTACT AREA, SELECTIVE TIN
ON PCB TAILS, NICKEL OVERALL.
3. REFER TO MOLEX PRODUCT SPECIFICATION PS-170540-999 FOR PERFORMANCE
SPECIFICATIONS AND ADDITIONAL PCB INFORMATION.
4. EACH SIGNAL WAFER CONTAINS 2 COLUMNS OF TERMINALS.
5. PRODUCT IS PACKAGED PER PK-70873-762.
6. THIS PART CONFORMS TO CLASS B REQUIREMENTS OF COSMETIC SPEC PS-45499-002.
7. REFER TO MOLEX SALES DRAWING SD-170530-002 FOR THE MATING RECEPTACLES.
8. REFER TO MOLEX PCB ROUTING GUIDE AS-76060-990 FOR ANTI PAD AND ROUTING
RECOMMENDATIONS.
9. GROUND PATHS ARE NOT DISCRETE CIRCUITS WITHIN CONNECTOR DUE TO PRESENCE OF PLUS CLIP.
10. P/N 170510-9107 SHOWN ON DRAWING. KEYING FEATURES WILL CHANGE WITH COLUMN SIZE.
11. CONNECTORS SUPPLIED WITH A #2-32 AB SELF-TAPPING SCREW MOLEX P/N 73726-0000.
MAXIMUM BOARD THICKNESS FOR THIS SCREW IS 4.0mm.
12. GUIDE RIGHT RAM MATES WITH A GUIDE LEFT DAUGHTERCARD.
13. MINIMUM BOARD THICKNESS IS 1.00mm FOR COMPLIANT PIN FUNCTIONALITY.

PROPOSAL EC NO: UCP2013-4032 DRW: MCARRANZA 2013/03/14 CHKD: APPR: MCARRANZA 2013/03/25	QUALITY SYMBOLS ▽=0 ▽=0	GENERAL TOLERANCES (UNLESS SPECIFIED)		DIMENSION STYLE MM ONLY	SCALE 3:1	DESIGN UNITS METRIC	THIRD ANGLE PROJECTION
		4 PLACES ± --- ± --- 3 PLACES ± --- ± --- 2 PLACES ± 0.13 ± --- 1 PLACE ± 0.25 ± --- ANGULAR ± 1/2°	mm INCH DRAWN BY DATE MCARRANZA 2013/03/14 CHECKED BY DATE	MATERIAL NO. SEE SHEET 2	DATE 2013/03/25	TITLE IMPACT 3 PAIR RAM 85-OHM GUIDE RIGHT SIGNAL MODULE SALES DWG	DOCUMENT NO. MOLEX INCORPORATED
DRAFT WHERE APPLICABLE MUST REMAIN WITHIN DIMENSIONS		THIS DRAWING CONTAINS INFORMATION THAT IS PROPRIETARY TO MOLEX INCORPORATED AND SHOULD NOT BE USED WITHOUT WRITTEN PERMISSION					

170510-9*0*

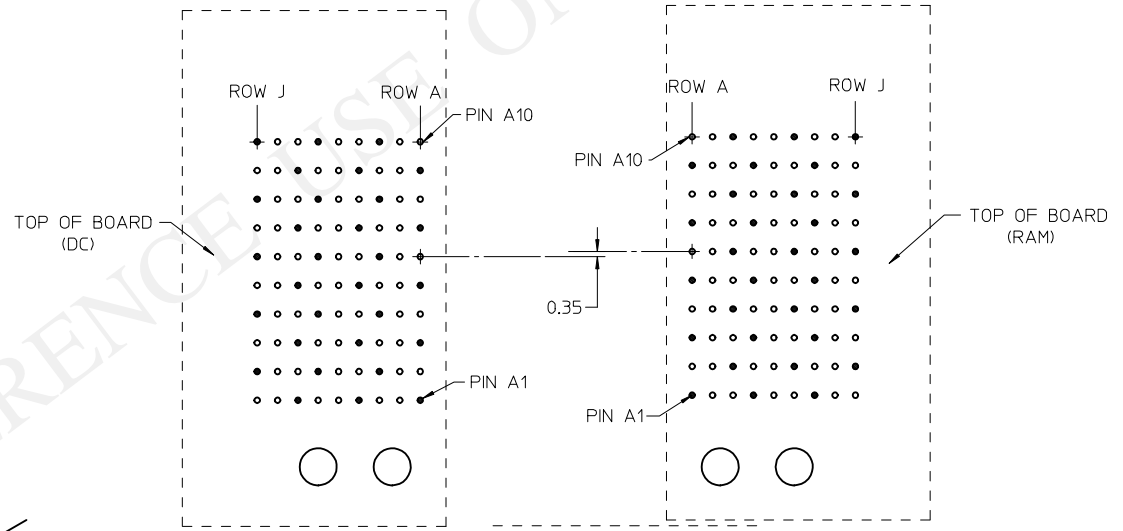
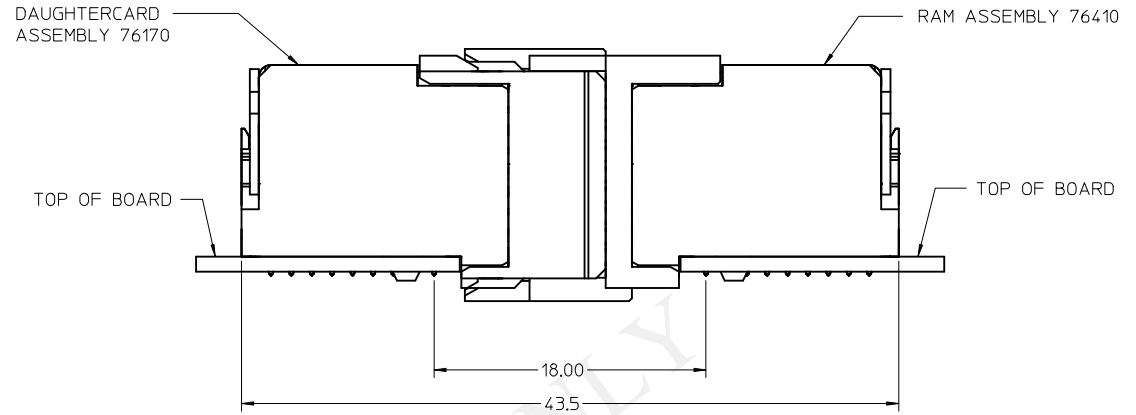
MODULE & TAIL PLATING TYPE
 9 = RIGHT GUIDED LEAD-FREE W/ ENDWALL

OF COLUMNS
 1 = 10 COL
 8 = 8 COL

PIN LENGTH (P)
 7 = 4.90 (0.39 PTH)
 8 = 5.50 (0.39 PTH)

POLARIZATION KEY ORIENTATION
 0 = NO KEY

COPLANAR APPLICATION



COPLANAR MATED SIGNAL PATHS



MATERIAL NUMBER	# OF COLUMNS	# OF DIFF PAIR	DIM 'A' MAX	DIM 'B'	PTHØ
76410-*8**	8	24	22.80	13.30	0.39±0.05
76410-*1**	10	30	26.60	17.10	0.39±0.05

SEE SHEET 1 EC NO: UCP2013-4032 DRWN: MCARRANZA 2013/03/14 CHKD: MCARRANZA APPR: MCARRANZA 2013/03/25	QUALITY SYMBOLS	GENERAL TOLERANCES (UNLESS SPECIFIED) mm INCH 4 PLACES ± --- ± --- 3 PLACES ± --- ± --- 2 PLACES ± 0.13 ± --- 1 PLACE ± 0.25 ± --- ANGULAR ± 1/2°	DIMENSION STYLE MM ONLY	SCALE 4:1	DESIGN UNITS METRIC	THIRD ANGLE PROJECTION
	▽=0 ▽=0		DRAWN BY DATE MCARRANZA 2013/03/14 CHECKED BY DATE	TITLE IMPACT 3 PAIR RAM 85-OHM GUIDE RIGHT SIGNAL MODULE SALES DWG		
	DRAFT WHERE APPLICABLE MUST REMAIN WITHIN DIMENSIONS	APPROVED BY DATE MCARRANZA 2013/03/25 MATERIAL NO. SEE CHART	MOLEX INCORPORATED DOCUMENT NO. SD-170510-0004	SHEET NO. 2 OF 2		
	THIS DRAWING CONTAINS INFORMATION THAT IS PROPRIETARY TO MOLEX INCORPORATED AND SHOULD NOT BE USED WITHOUT WRITTEN PERMISSION					

MATERIAL NUMBER	# OF COLUMNS	# OF DIFF PAIR	DIM "A" MAX	DIM "B"	PTH ϕ
76410- $\ast 8 \ast \ast$	8	24	22.80	13.30	0.46+0.05
76410- $\ast 1 \ast \ast$	10	30	26.60	17.10	0.46+0.05
76410- $\ast 6 \ast \ast$	16	48	38.00	28.50	0.46+0.05
76410- $\ast 8 \ast \ast$	8	24	22.80	13.30	0.39+0.05
76410- $\ast 1 \ast \ast$	10	30	26.60	17.10	0.39+0.05
76410- $\ast 6 \ast \ast$	16	48	38.00	28.50	0.39+0.05

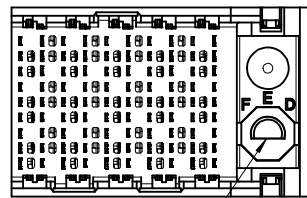
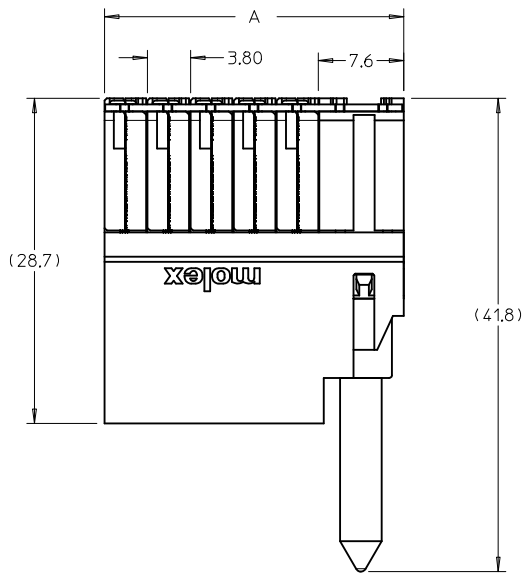
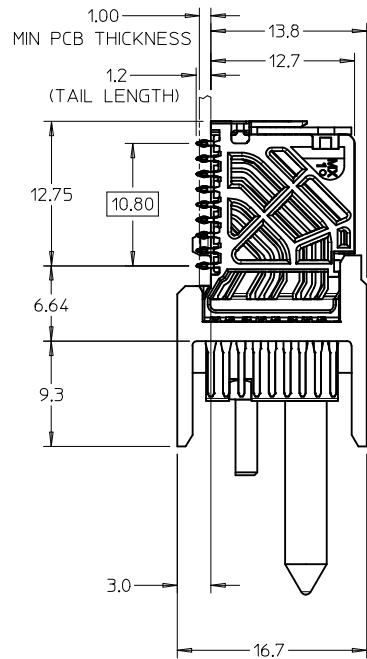
76410- $\ast \ast \ast \ast$

MODULE & TAIL PLATING TYPE
 5 = RIGHT GUIDED LEAD-FREE
 9 = RIGHT GUIDED LEAD-FREE W/ ENDWALL

PIN LENGTH (P)
 4 = 4.90 (0.46 PTH)
 5 = 5.50 (0.46 PTH)
 7 = 4.90 (0.39 PTH)
 8 = 5.50 (0.39 PTH)

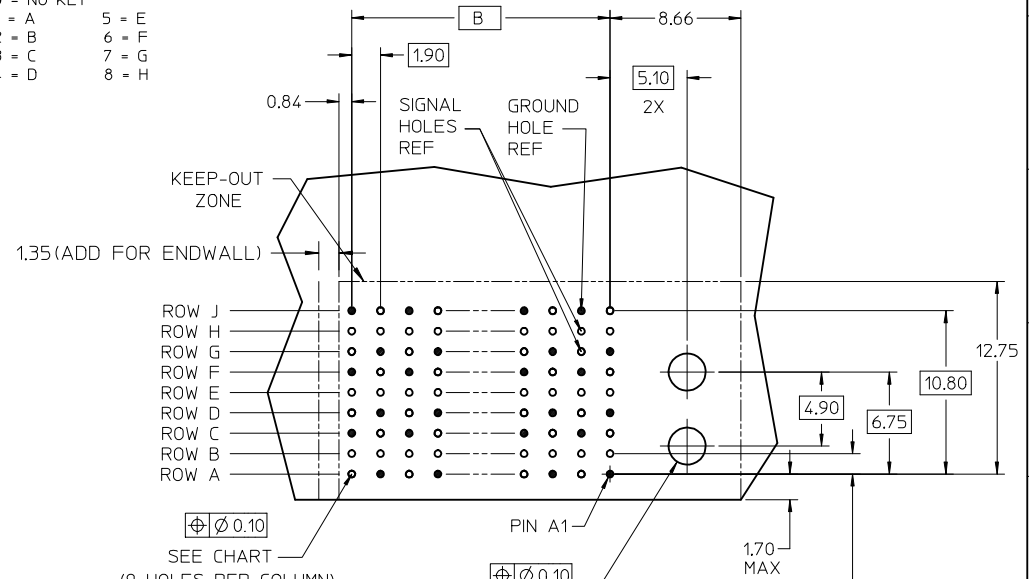
OF COLUMNS
 1 = 10 COL
 6 = 16 COL
 8 = 8 COL

POLARIZATION KEY ORIENTATION
 0 = NO KEY
 1 = A 5 = E
 2 = B 6 = F
 3 = C 7 = G
 4 = D 8 = H

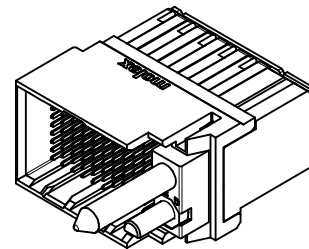


KEY SHOWN
IN POSITION A

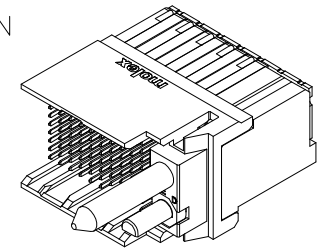
- NOTES:
- MATERIALS: HOUSING - LIQUID CRYSTAL POLYMER (LCP), GLASS-FILLED, UL94V-0
TERMINALS - HIGH PERFORMANCE COPPER ALLOY
 - FINISH: 30 μ IN SELECTIVE GOLD IN CONTACT AREA, SELECTIVE TIN ON PCB TAILS, NICKEL OVERALL.
 - REFER TO MOLEX PRODUCT SPECIFICATION PS-76060-999 FOR PERFORMANCE SPECIFICATIONS AND ADDITIONAL PCB INFORMATION.
 - EACH SIGNAL WAFER CONTAINS 2 COLUMNS OF TERMINALS.
 - PRODUCT IS PACKAGED PER PK-70873-762.
 - THIS PART CONFORMS TO CLASS B REQUIREMENTS OF COSMETIC SPEC PS-45499-002.
 - REFER TO MOLEX SALES DRAWING SD-76170-002 FOR THE MATING RECEPTACLES.
 - REFER TO MOLEX PCB ROUTING GUIDE AS-76060-990 FOR ANTIPAD AND ROUTING RECOMMENDATIONS.
 - CONNECTORS SUPPLIED WITH A 2-56 UNC-2A SCREW.
 - GUIDE RIGHT RAM MATES WITH A GUIDE LEFT DAUGHTERCARD.
 - OPEN END VERSION SHOWN FOR CLARITY.



RAM HOLE PATTERN
(CONNECTOR SIDE)



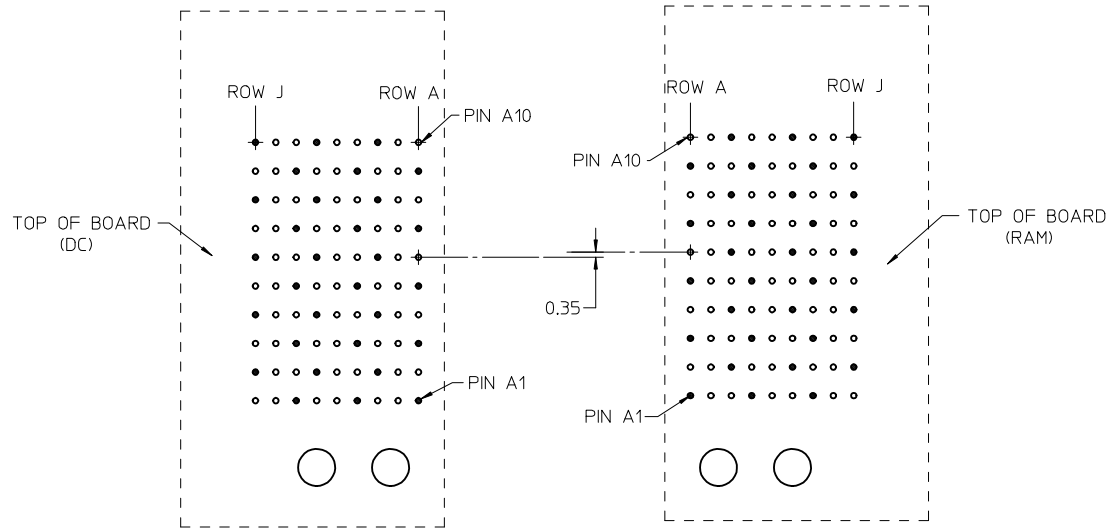
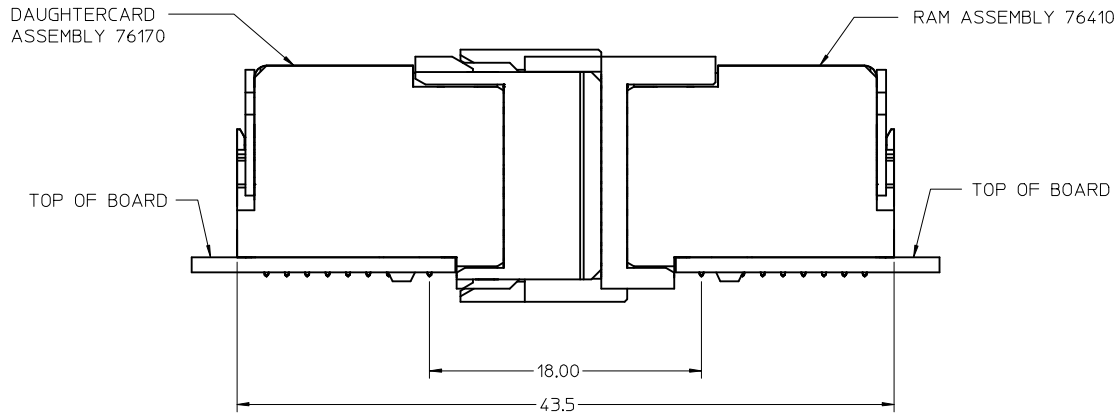
ENDWALL OPTION



OPEN END OPTION

REV	DESCRIPTION	QUALITY SYMBOLS	GENERAL TOLERANCES (UNLESS SPECIFIED)		DIMENSION STYLE		SCALE	DESIGN UNITS	THIRD ANGLE PROJECTION	
			mm	INCH	MM ONLY	DATE				
D	CONVERT TO LEAD-FREE EC NO: UCP2013-2489 DRW: TIBARRA 2012/12/17 CHKD: TELO 2012/12/18 APPR: MILLER 2012/12/31		4 PLACES	± ---	± ---	DRAWN BY	DATE	3:1	METRIC	IMPACT 3 PAIR RAM GUIDE RIGHT SIGNAL MODULE SALES DWG molex
			3 PLACES	± ---	± ---	JLAURX	2008/10/21			
			2 PLACES	± 0.13	± ---	CHECKED BY	DATE			
			1 PLACE	± 0.25	± ---	JJONI AK	2008/10/21			
			0 PLACE	±	±	APPROVED BY	DATE			
						JLAURX	2008/10/21			
						ANGULAR ±1/2°				
						DRAFT WHERE APPLICABLE MUST REMAIN WITHIN DIMENSIONS				
						MATERIAL NO.				
						SEE TABLE				
						DOCUMENT NO.				
						SD-76410-004				
						SHEET NO.				
						1 OF 2				

COPLANAR APPLICATION



COPLANAR MATED SIGNAL PATHS



SEE SHEET 1 EC NO: UCP2013-2489 DRWNT:IBARRA 2012/12/17 CHKD:TELO 2012/12/18 APPR:SMILLER 2012/12/31	DESCRIPTION REV	QUALITY SYMBOLS	GENERAL TOLERANCES (UNLESS SPECIFIED)	DIMENSION STYLE MM ONLY	SCALE 4:1	DESIGN UNITS METRIC	THIRD ANGLE PROJECTION	
		▽=0	mm INCH	DRAWN BY JLAURX	DATE 2008/10/21	TITLE IMPACT 3 PAIR RAM GUIDE RIGHT SIGNAL MODULE SALES DWG molex DOCUMENT NO. SD-76410-004 SHEET NO. 2 OF 2		
		▽=0	4 PLACES ± --- ± ---	CHECKED BY JJONIAK	DATE 2008/10/21			
		▽=0	3 PLACES ± --- ± ---	APPROVED BY JLAURX	DATE 2008/10/21			
		▽=0	2 PLACES ± 0.13 ± ---	MATERIAL NO.	SEE TABLE			
▽=0	1 PLACE ± 0.25 ± ---	SIZE C	THIS DRAWING CONTAINS INFORMATION THAT IS PROPRIETARY TO MOLEX INCORPORATED AND SHOULD NOT BE USED WITHOUT WRITTEN PERMISSION					
			0 PLACE ± ±					
			ANGULAR ±1/2°					
			DRAFT WHERE APPLICABLE MUST REMAIN WITHIN DIMENSIONS					