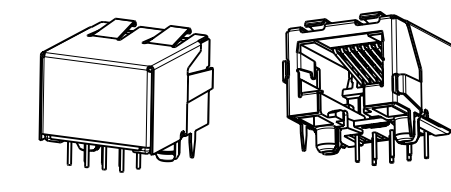
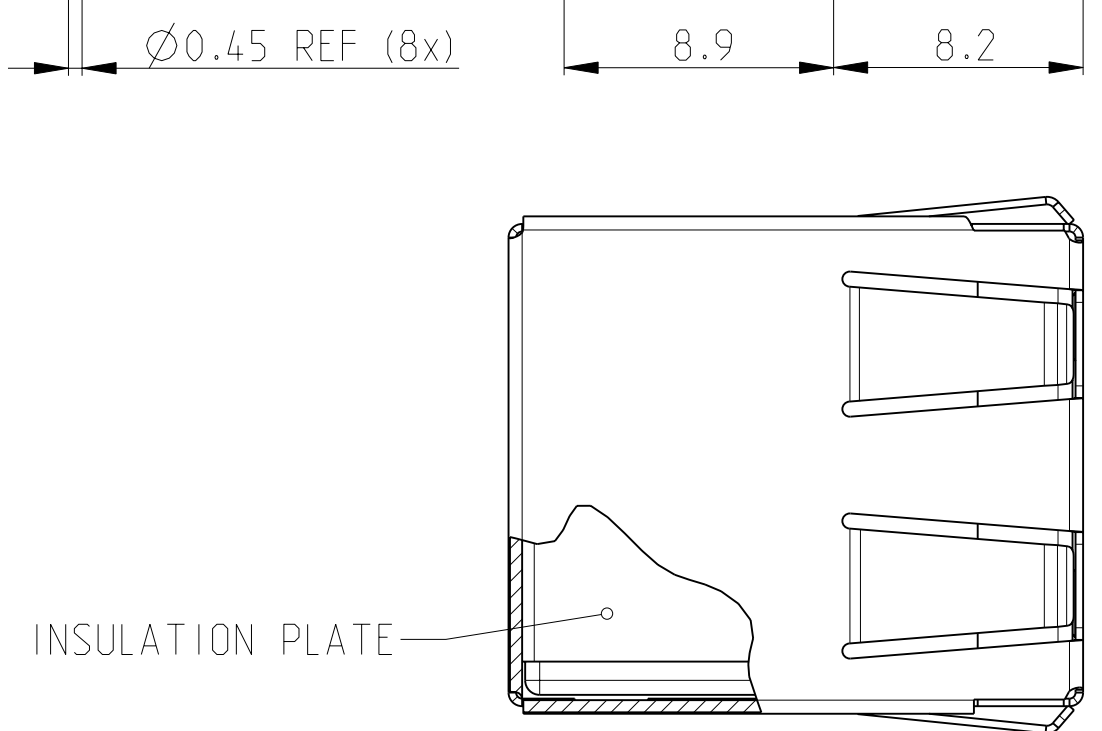
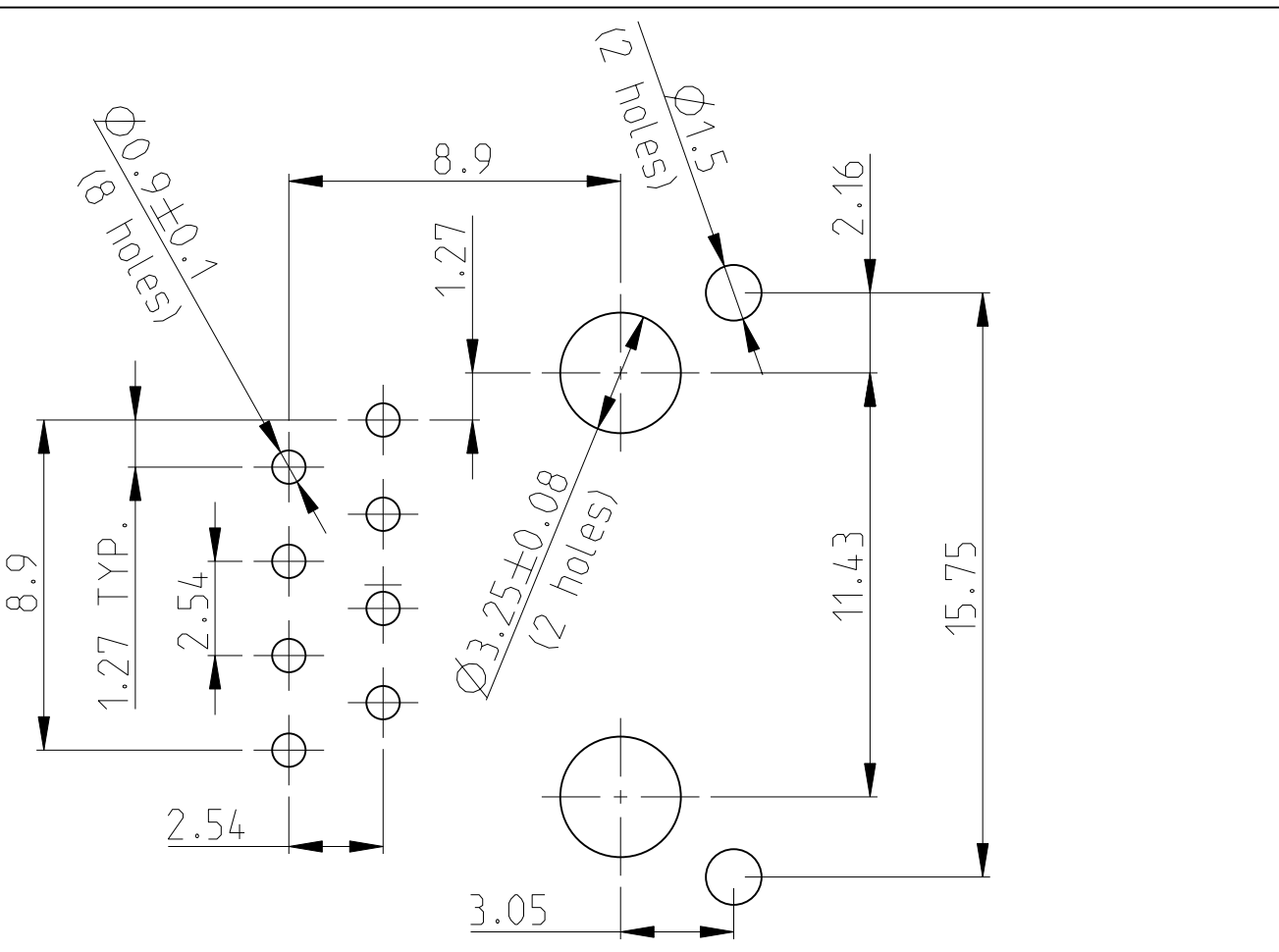
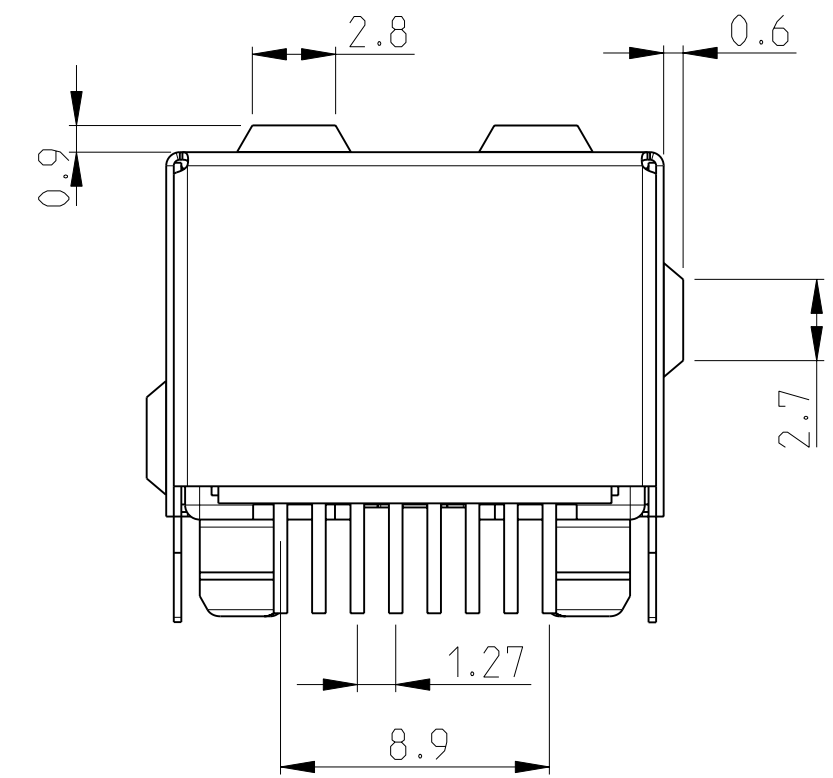
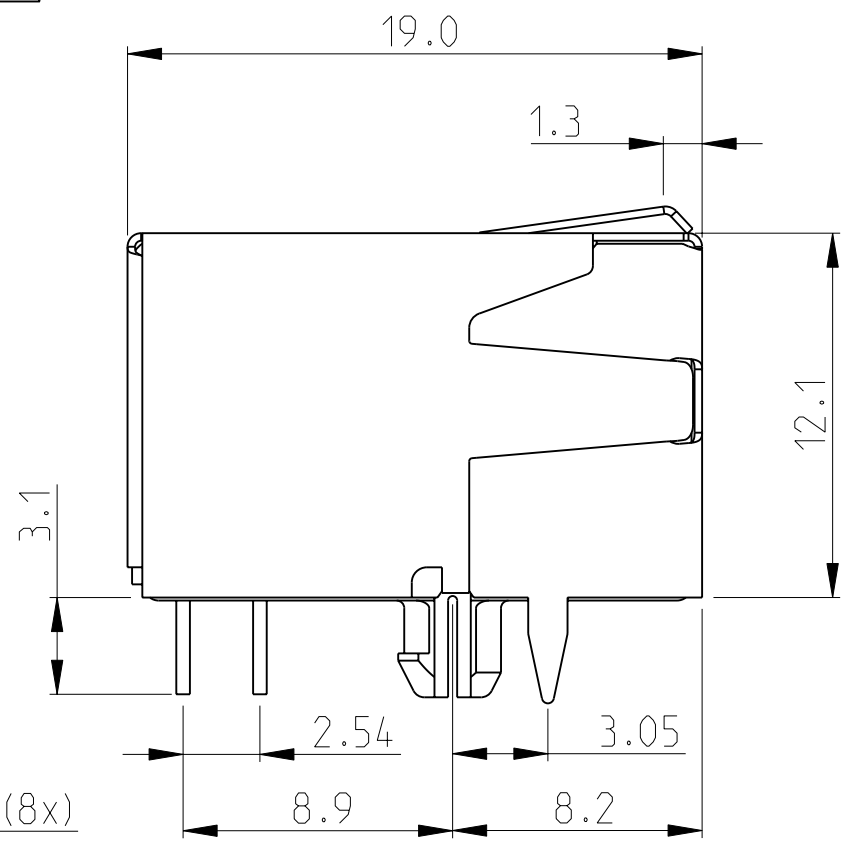
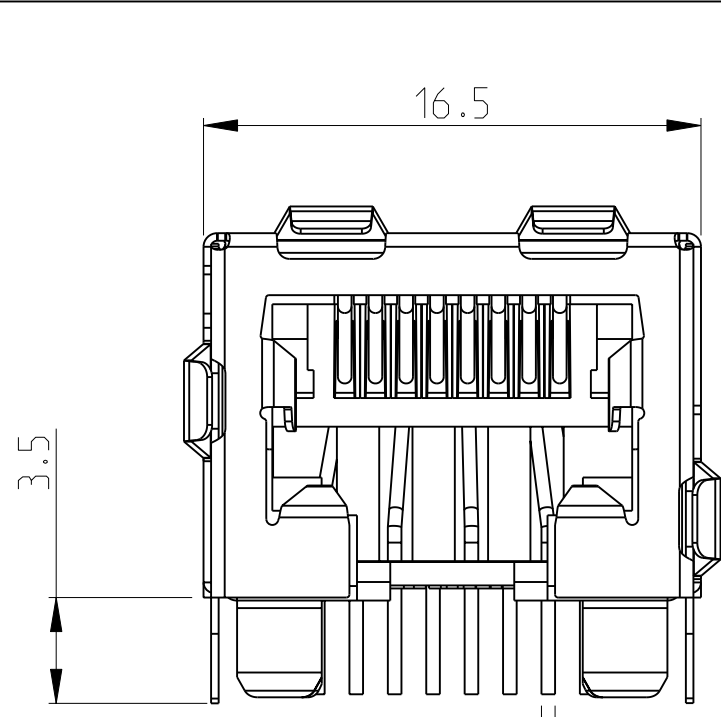
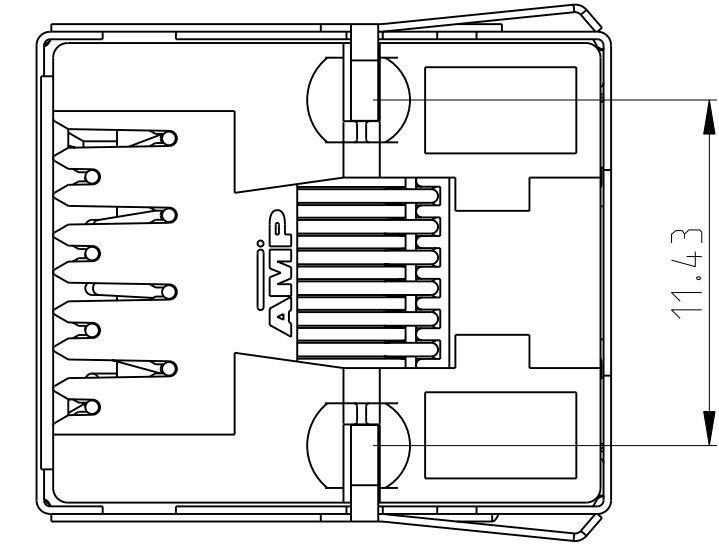
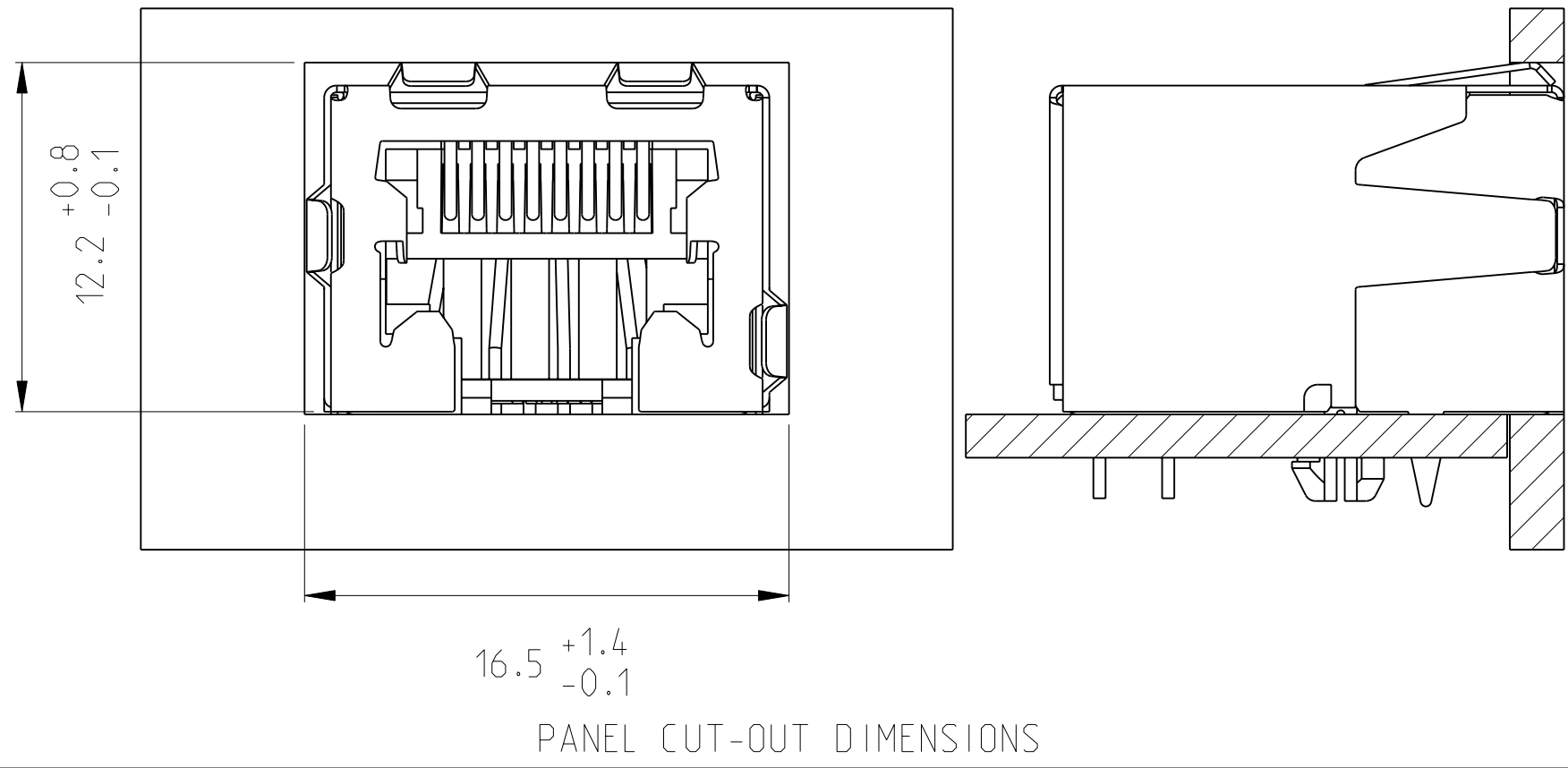


THIS DRAWING IS UNPUBLISHED. RELEASED FOR PUBLICATION 2000  
 © COPYRIGHT 2000 ALL RIGHTS RESERVED.

LOC	DIST	REVISIONS					
		P	LTR	DESCRIPTION	DATE	DWN	APVD
IR	-	J		ECR-10-020218	21JUN2011	PS	RRP
		K		SHIELD RAW MATERIAL CHANGE TO BRASS	08MAR2012	PS	RRP



SCALE: 1:1

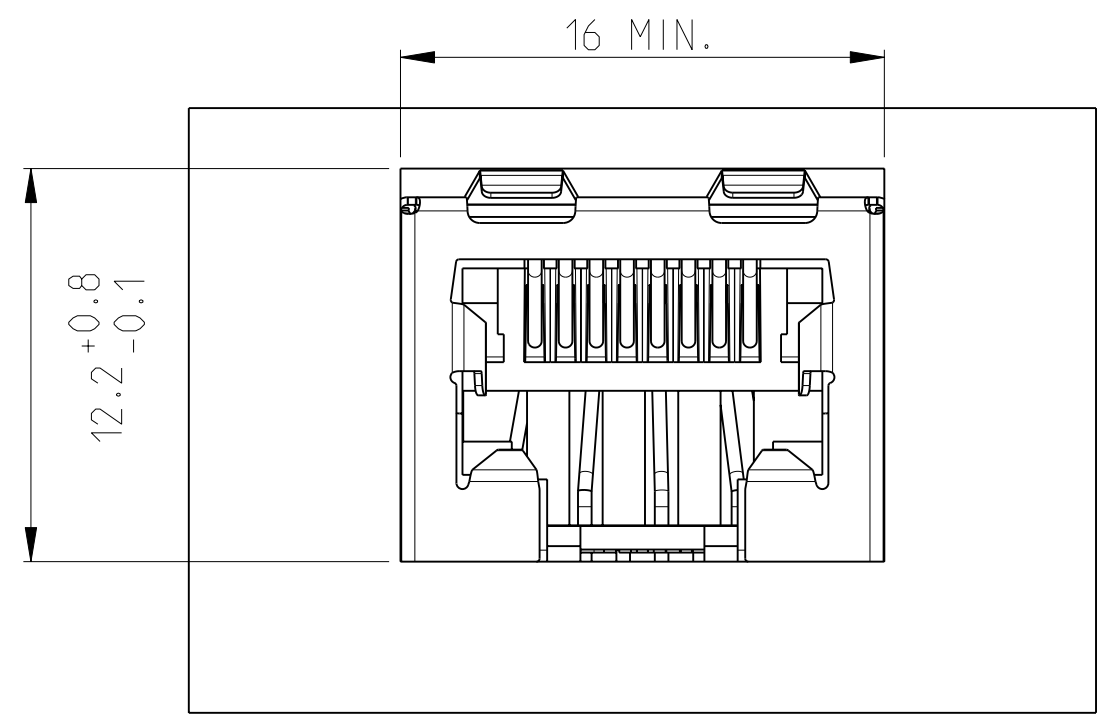
PACKAGED 190 PIECES IN A TRAY	8 POS. 8 CONT.	OVERALL: Ni 1.27 µm MIN. ALL OVER THE CONTACTS  SOLDER ZONE: Sn 2.5 µm MIN. ON THE SOLDER ZONE OF THE CONTACT  MATING ZONE: PLATING CONFIRMS TO PRODUCT REQUIREMENTS AS PER SPECIFICATION 108-19064	HOUSING: PBT UL 94 V-0 BLACK  CONTACTS: PHOSPHOR BRONZE  SHIELD: BRASS PRE-PLATED (BRIGHT TIN)	2-338556-1
PACKAGING	REMARKS	DESCRIPTION	MATERIAL	P/N

PRINTED CIRCUIT BOARD LAYOUT.  
 (VIEW SHOWN IS CIRCUIT (NONCOMPONENT) SIDE OF BOARD)  
 PRINTED CIRCUIT BOARD THICKNESS: 1.6 mm NOMINAL.  
 TOLERANCE UNLESS OTHERWISE SPECIFIED: ±0.05mm.

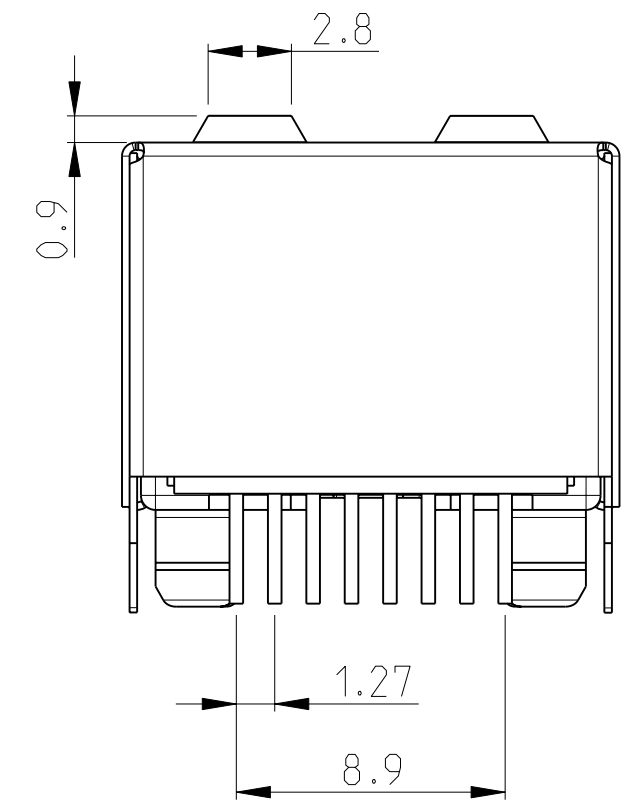
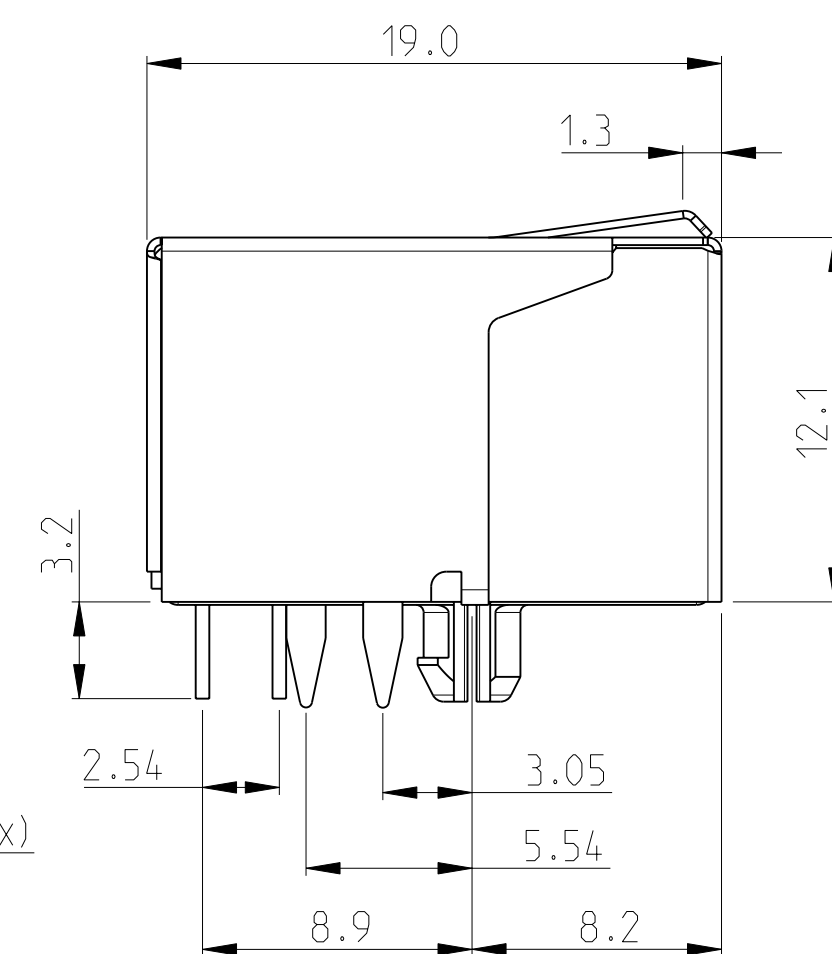
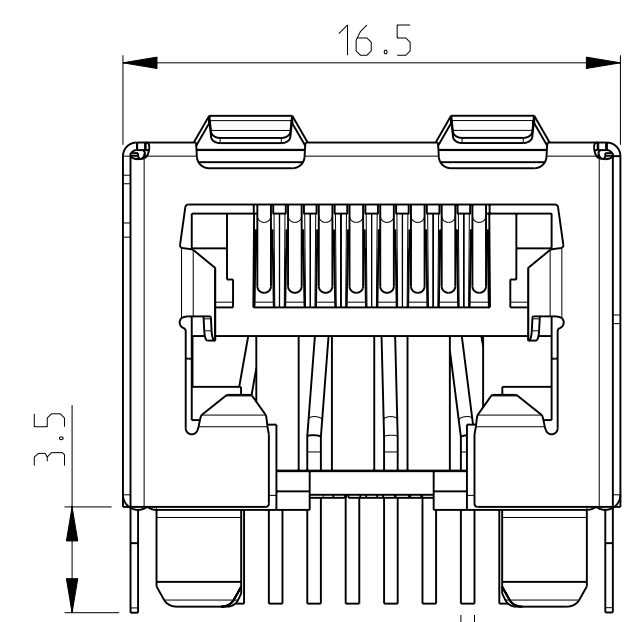
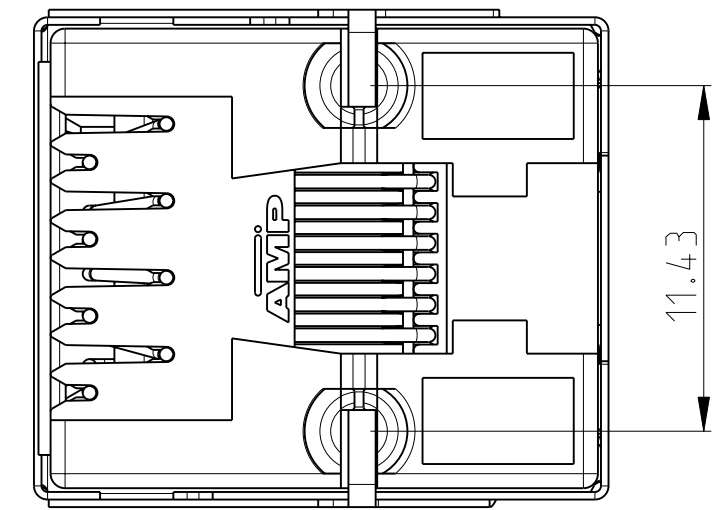
THIS DRAWING IS A CONTROLLED DOCUMENT.		DWN E.v.EIJK	TE Connectivity				
DIMENSIONS: mm		CHK M.v.ESSSEN				NAME 8 pos. Modular Jack Side Entry fully shielded with insulation plate	
TOLERANCES UNLESS OTHERWISE SPECIFIED:		APVD R.SMEETS				PRODUCT SPEC 108-19064	
0 PLC ±0.15 1 PLC ±0.15 2 PLC ±0.15 3 PLC ±0.15 4 PLC ±0.15		APPLICATION SPEC 114-19019				APPLIC. SPEC	
MATERIAL		FINISH #0°30'	WEIGHT	SIZE A2	CAGE CODE 00779	DRAWING NO. 338556	RESTRICTED TO
CUSTOMER DRAWING			SCALE 4:1	SHEET 1	OF 2	REV K	

THIS DRAWING IS UNPUBLISHED. RELEASED FOR PUBLICATION 2000  
 © COPYRIGHT 2000 ALL RIGHTS RESERVED.

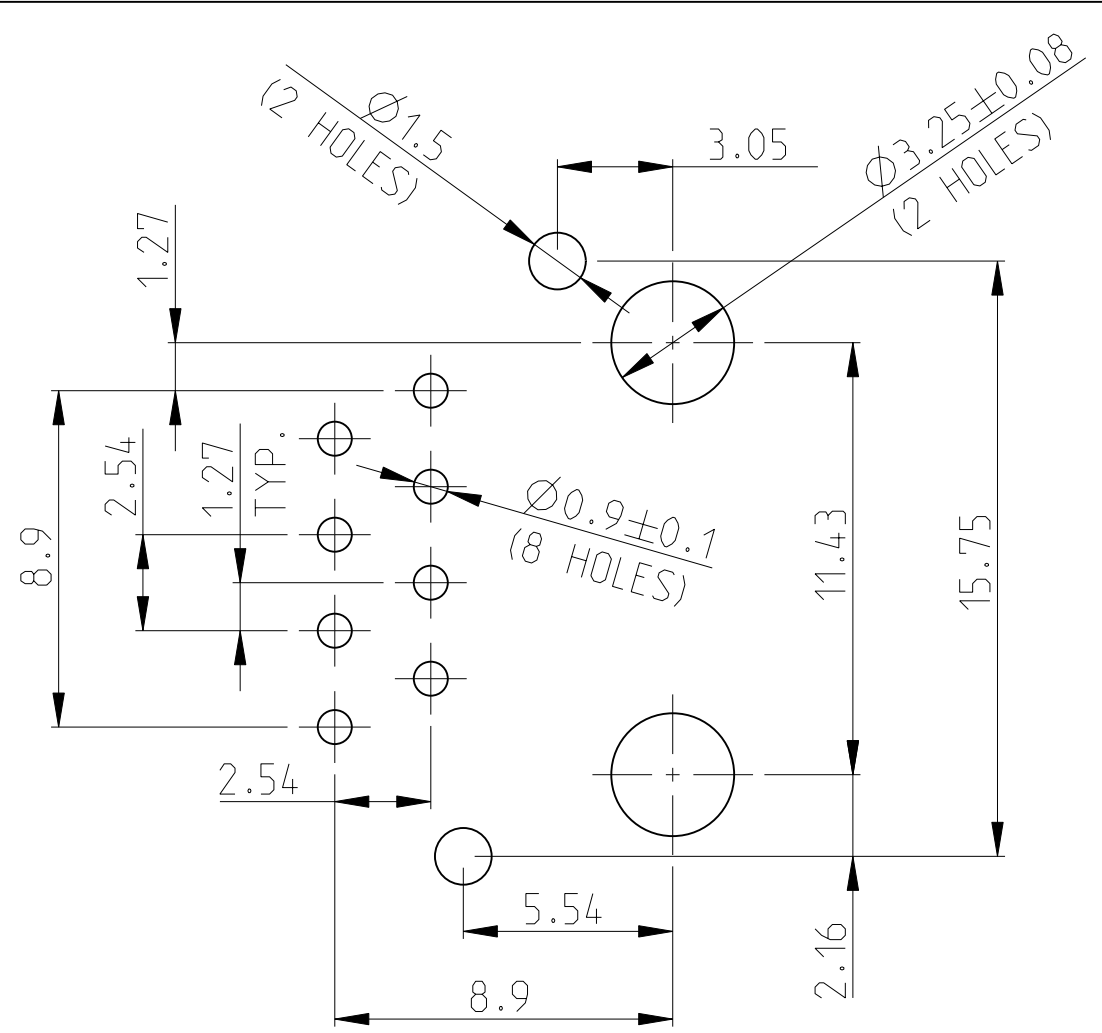
LOC	DIST	REVISIONS			
P	LTR	DESCRIPTION	DATE	DWN	APVD
IR	-	SEE SHEET 1	-	-	-



PANEL CUT-OUT DIMENSIONS

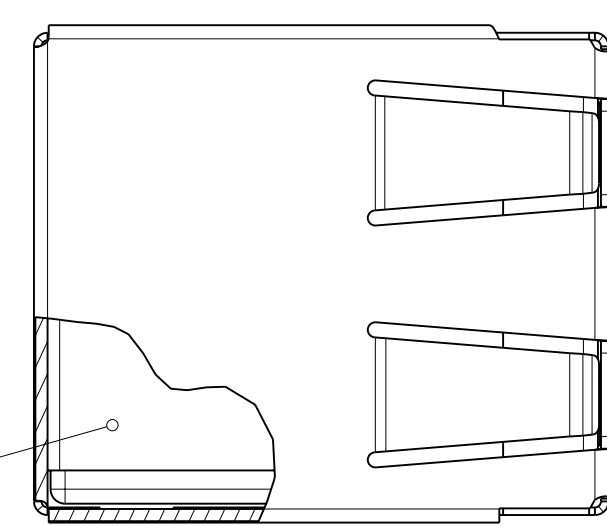


Ø0.45 REF (8x)



PRINTED CIRCUIT BOARD LAYOUT.

(VIEW SHOWN IS CIRCUIT (NONCOMPONENT) SIDE OF BOARD.)  
 PRINTED CIRCUIT BOARD THICKNESS: 1.6 mm NOMINAL.  
 TOLERANCE UNLESS OTHERWISE SPECIFIED: ± 0.15 mm.



INSULATION PLATE

PACKAGED 190 PIECES IN A TRAY	8 POS. 8 CONT.	OVERALL: Ni 1.27 µm MIN. ALL OVER THE CONTACTS  SOLDER ZONE: Sn 2.5 µm MIN. ON THE SOLDER ZONE OF THE CONTACT  MATING ZONE: PLATING CONFIRMS TO PRODUCT REQUIREMENTS AS PER SPECIFICATION 108-19064	HOUSING: PBT UL 94V-0 BLACK  CONTACTS: PHOSPHOR BRONZE  SHIELD: BRASS PRE-PLATED BRIGHT TIN	3-338556-1
PACKAGING	REMARKS	DESCRIPTION	MATERIAL	P/N
THIS DRAWING IS A CONTROLLED DOCUMENT.		DWN E.v.EIJK	TE Connectivity 8 pos. Modular Jack Side Entry fully shielded with insulation plate	
DIMENSIONS: mm		CHK M.v.ESSSEN		
TOLERANCES UNLESS OTHERWISE SPECIFIED:		APVD R.SMEETS		
0 PLC ±0.15 1 PLC ±0.15 2 PLC ±0.15 3 PLC ±0.15 4 PLC ±0.15 ANGLES ±0.30° FINISH		PRODUCT SPEC 108-19064 APPLICATION SPEC 114-19019 WEIGHT -		
MATERIAL	-	CUSTOMER DRAWING	SIZE A2	CAGE CODE 00779
		SCALE 4:1	DRAWING NO C-338556	RESTRICTED TO -
		SHEET 2	OF 2	REV K