



PRODUCT DATASHEET

Leila series

last update 4/6/2012

DETAILS

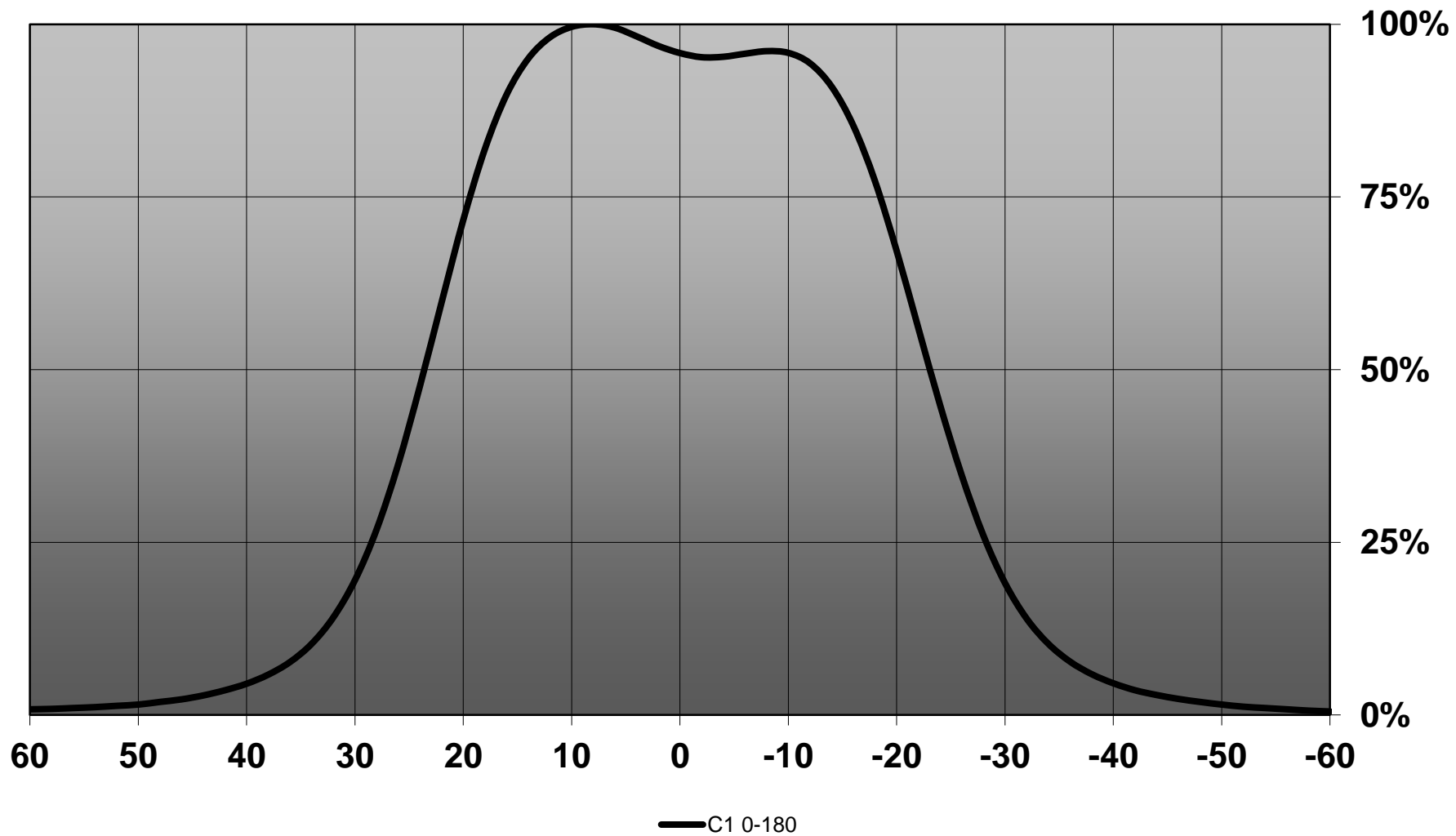
Product Number	CA12667_LXB2-W
Family	Leila
Type	Assembly
Color	black
Diameter	21,6 mm
Height	14,6 mm
Style	round
Optic Material	PMMA
Holder Material	
Fastening	tape
Status	production ready
ROHS Compliant	Yes
Date Updated	4/06/2012



OPTICAL PROPERTIES

LED	Viewing Angle	Light Beam	Efficiency	cd/lm	Connector
XB-D	41 deg	Wide	81 %	1.630	-
XB-H	47 deg	Wide	85 %	1.400	-

Relative intensity of CA12667_LXB2-W_(XB-H)

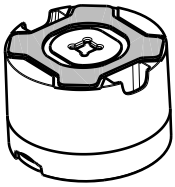


D

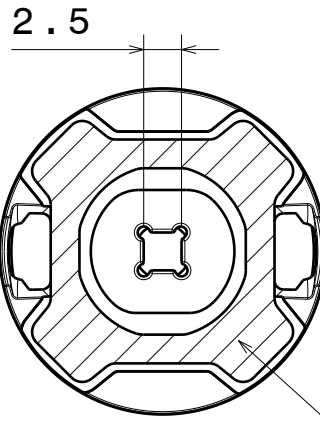
C

B

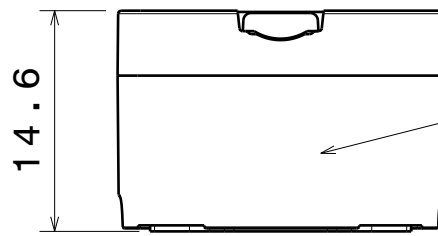
A



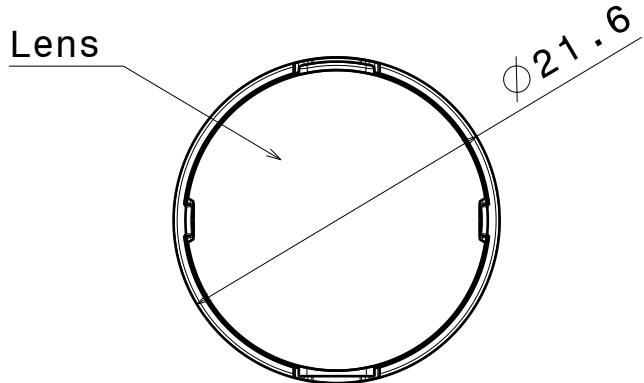
Isometric view
Scale: 1:1



Tape



Holder



Lens

Materials:
Lens PMMA
Holder PC, Black
Tape PU foam with PSA

Tolerances for dimensions:
0-20mm tolerance value $\pm 0.1\text{mm}$
21-45mm tolerance value $\pm 0.2\text{mm}$
46-90mm tolerance value $\pm 0.3\text{mm}$
91-100mm tolerance value $\pm 0.4\text{mm}$
101-mm tolerance value $\pm 0.5\text{mm}$

This drawing is our property.
It can't be reproduced
or communicated without
our written agreement.



Ledil Oy
Salorankatu 10
FIN 24240 SALO
Finland

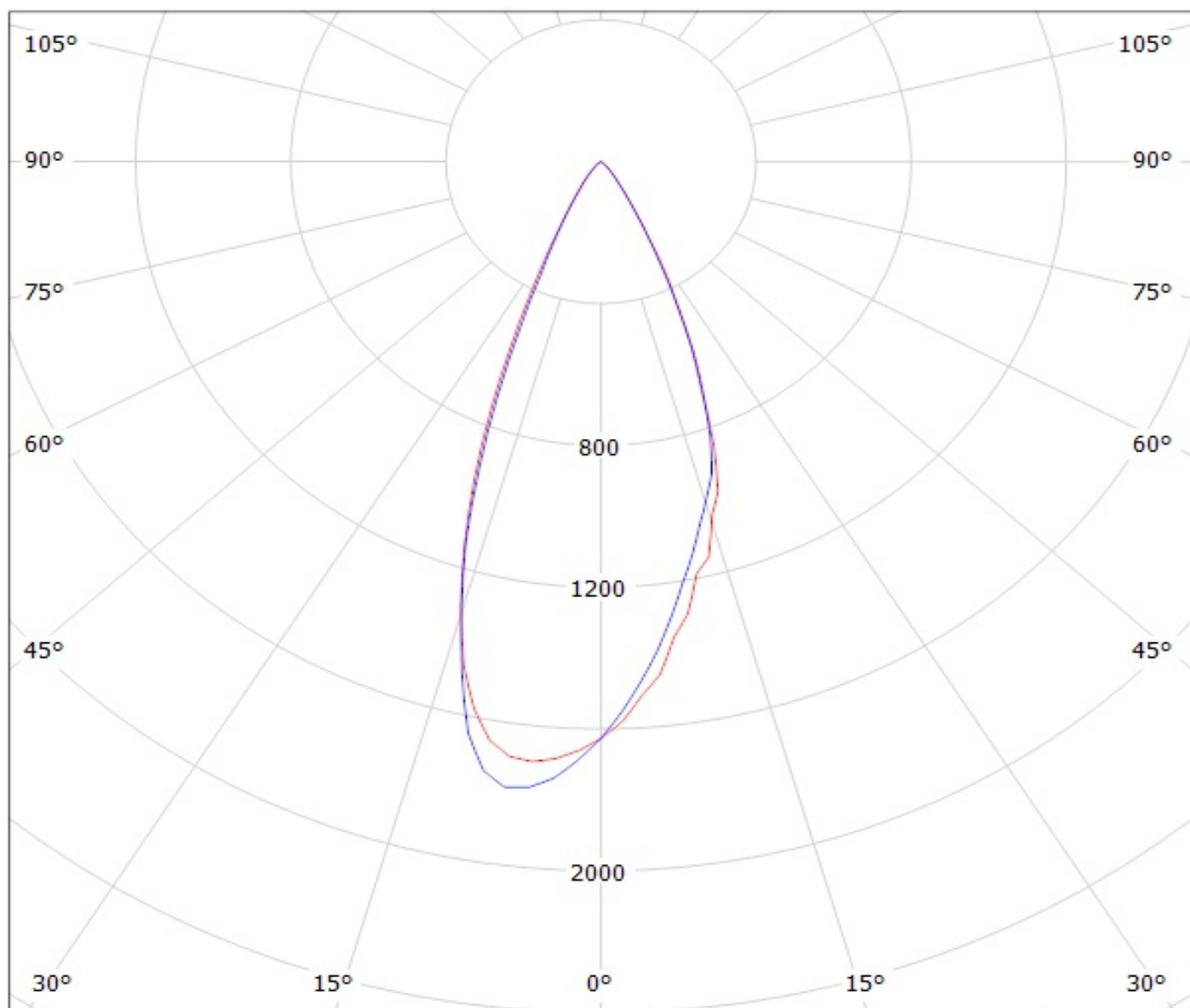
DRAWING TITLE
Datasheet LXB2 Tape Assy

DRAWN BY pv	DATE 11.04.2012
CHECKED BY sn	DATE 19.01.2012
DESIGNED BY pv	DATE 19.01.2012

SIZE A4	DRAWING NUMBER -	REV 1
SCALE 2:1	WEIGHT (g)	SHEET 1/1

A

Luminaire: Ledil Oy CA12667_LXB2-W (Cree XB-D 84lm @ 250mA) LOR=81%
Lamps: 1 x Cree XB-D 84lm @ 250mA



cd/klm

— C0 - C180

— C90 - C270

NOTE: The typical divergence will be changed by different color, chip size and chip position tolerance. The typical total divergence is the full angle measured where the luminous intensity is half of the peak value.