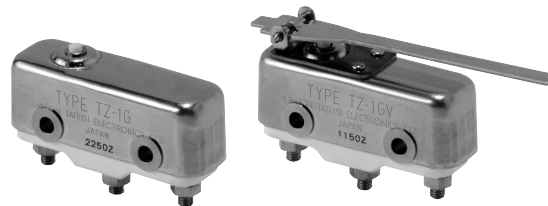


# High-temperature Basic Switch TZ

## Stable Operation at an Ambient Temperature of 400°C

- Incorporates a ceramic insulator, cobalt-alloy spring, and special-alloy contact, thus ensuring high contact reliability at high ambient temperature.
- Smoothly operates at an ambient temperature of 400°C.



## Ordering Information

Actuator		Model
Pin plunger		TZ-1G
Hinge lever		TZ-1GV
Short hinge roller lever		TZ-1GV22
Hinge roller lever		TZ-1GV2

**Note:** The levers and rollers are made of stainless steel.

## Model Number Legend

TZ - 1 G □  
1 2 3

**1. Ratings**

1: 1 A, 250 VAC

**2. Contact Gap**

G: 0.5 mm

**3. Actuator**

- None: Pin plunger
- V: Hinge lever
- V2: Hinge roller lever
- V22: Short hinge roller lever

# Specifications

## ■ Characteristics

Operating speed		0.05 mm to 1 m/s (See note 1)
Operating frequency	Mechanical	60 operations/min
	Electrical	20 operations/min
Contact resistance		100 mΩ max. (initial value)
Insulation resistance		100 MΩ min. (at 500 VDC)
Dielectric strength		1,000 VAC, 50/60 Hz for 1 min between terminals of same polarity 1,500 VAC, 50/60 Hz for 1 min between current-carrying metal parts and ground and between each terminal and non-current-carrying metal parts
Vibration resistance	Malfunction	10 to 55 Hz, 1.5-mm double amplitude (See note 2)
Shock resistance	Destruction	500 m/s <sup>2</sup> max.
	Malfunction	300 m/s <sup>2</sup> max. (See notes 1 and 2)
Degree of protection		IP00
Degree of protection against electric shock		Class I
Ambient operating temperature		-65°C to 400°C (with no icing)
Ambient operating humidity		35% to 85%RH
Service life	Mechanical	100,000 operations min.
	Electrical	50,000 operations min.
Weight		Approx. 45 to 54 g

Note: 1. The values are for pin plunger models

2. Malfunction: 1 ms max.

## ■ Ratings

Rated voltage (V)	Non-inductive load (A)				Inductive load (A)			
	Resistive load		Lamp load		Inductive load		Motor load	
	NC	NO	NC	NO	NC	NO	NC	NO
125 VAC	1		0.9	0.45	1		1.5	0.75
250 VAC	1		0.45	0.3	1		0.45	0.3
8 VDC	1		0.9	0.45	1		1.5	1.5
14 VDC	1		0.9	0.45	1		1.5	1.5
30 VDC	1		0.9	0.45	1		1.5	1.5
125 VDC	0.4		0.05	0.05	0.4		0.05	0.05

Note: 1. The above values are for steady-state current.

2. Inductive load has a power factor of 0.4 min. (AC) and a time constant of 7 ms max. (DC).

3. Lamp load has an inrush current of 10 times the steady-state current.

4. Motor load has an inrush current of 6 times the steady-state current.

5. The ratings values apply under the following test conditions:

(1) Ambient temperature: 20±2°C

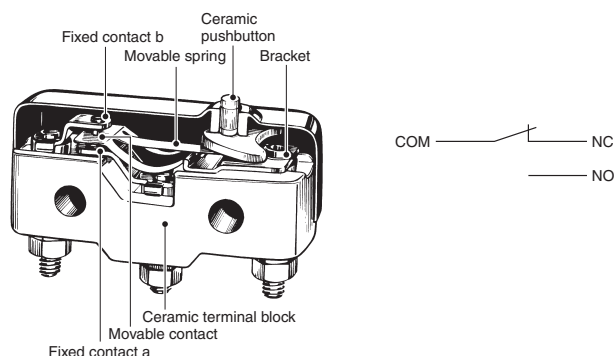
(2) Ambient humidity: 65±5%RH

(3) Operating frequency: 20 operations/min

## ■ Contact Specifications

Contact	Shape	Rivet
	Material	Platinum alloy
	Gap (standard value)	0.5 mm
Inrush current	NC	9 A max.
	NO	4.5 A max.

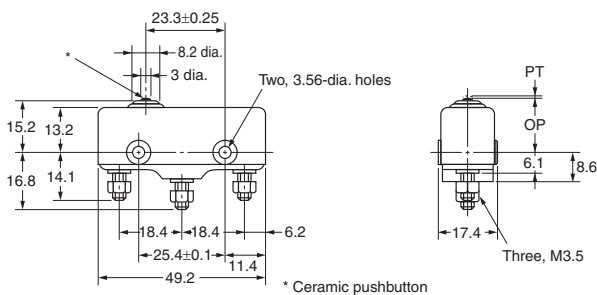
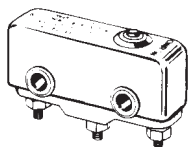
## ■ Structure/Contact Form



# Dimensions

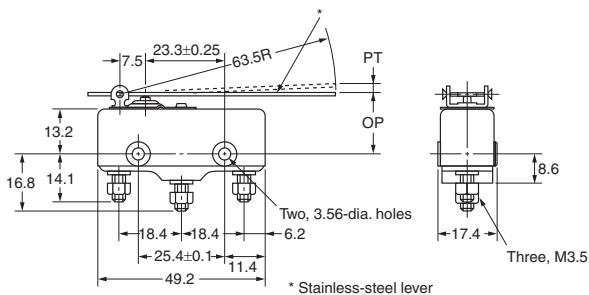
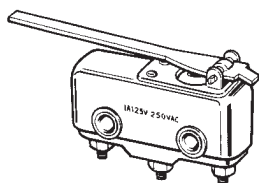
Note: Unless otherwise specified, all units are in millimeters and a tolerance of ± 0.4 mm applies to all dimensions.

## Pin Plunger TZ-1G



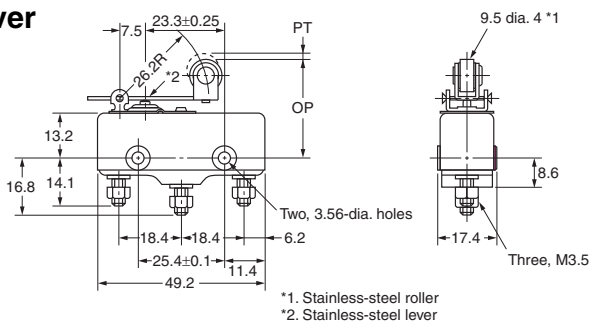
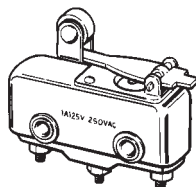
Operating force	OF max.	500 gf
Release force	RF min.	114 gf
Pretravel	PT max.	0.4 mm
Over travel	OT min.	0.13 mm
Movement Differential	MD max.	0.15 mm
Operating Position	OP	15.9±0.6 mm

## Hinge Lever TZ-1GV



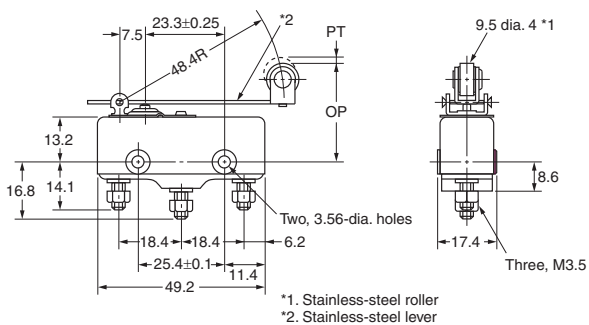
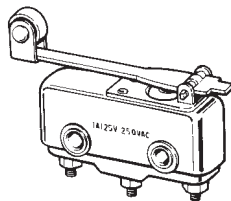
OF max.	100 gf
RF min.	14 gf
PT max.	3.5 mm
OT min.	4.6 mm
MD max.	1.3 mm
OP	18±1.2 mm

## Short Hinge Roller Lever TZ-1GV22



OF max.	240 gf
RF min.	35 gf
PT max.	1.5 mm
OT min.	1.9 mm
MD max.	0.6 mm
OP	28.6±1.2 mm

## Hinge Roller Lever TZ-1GV2



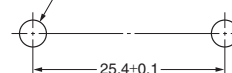
OF max.	130 gf
RF min.	20 gf
PT max.	2.6 mm
OT min.	3.5 mm
MD max.	1 mm
OP	28.6±1.2 mm

## ■ Mounting

- Be sure to turn OFF the power supply to the Switch before mounting, dismounting, wiring, or working on the Switch for maintenance.
- Use M3.5 stainless-steel mounting screws with plane washers or spring washers to securely mount the Switch. Tighten the screws to a torque of 0.69 to 0.98 N·m.

## ■ Mounting Holes

Two, 3.56-dia. mounting holes or M3.5 screw holes



# Safety Precautions

Be sure to read the precautions and information common to all Snap Action and Detection Switches, contained in the Technical User's Guide, "Snap Action Switches, Technical Information" for correct use.

## Precautions for Safe Use Handling

The Switch has a ceramic casing. Do not drop the Switch from a height of 30 cm or more. Doing so will break the casing.

- Connect nickel-plated solderless terminals to the TZ. Each terminal must be secured on the TZ with M3.5 nut.
- Make sure that the ceramic case is free of metal powder or other impurities.

## Operation

- Do not modify the Actuator and change the operating position.
- Make sure that the switching speed is not extremely slow or do not use the Switch so that the pushbutton will be set to a position between the FP and OP.
- Make sure that the pin plunger and the switching stroke are on the same vertical line.
- Make sure that the switching frequency or speed is within the specified range.

1. If the switching speed is extremely slow, the contact may not be switched smoothly, which may result in a contact failure or contact welding.
2. If the switching speed is extremely fast, switching shock may damage the Switch soon. If the switching frequency is too high, the contact may not catch up with the speed.

The rated permissible switching speed and frequency indicate the switching reliability of the Switch.

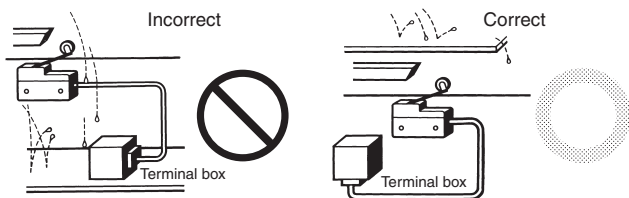
The life of a Switch is determined at the specified switching speed. The life varies with the switching speed and frequency even when they are within the permissible ranges. In order to determine the life of a Switch model to be applied to a particular use, it is best to conduct an appropriate durability test on some samples of the model under actual conditions.

- Make sure that the actuator travel does not exceed the permissible OT position. The operating stroke must be set to 70% to 100% of the rated OT.

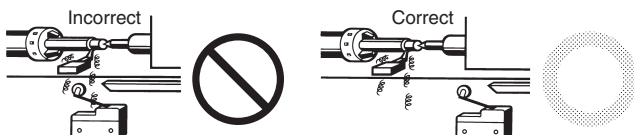
## Precautions for Correct Use

### Mounting Location

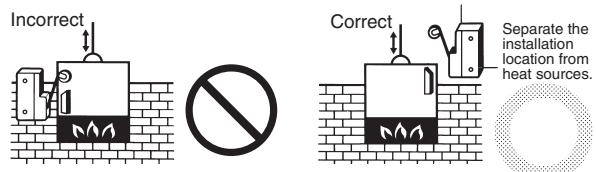
- Do not use the switch alone in atmospheres such as flammable or explosive gases. Arcing and heat generation associated with switching may cause fires or explosions.
- Switches are generally not constructed with resistance against water. Use a protective cover to prevent direct spraying if the switch is used in locations subject to splashing or spurting oil or water, dust adhering.



- Install the switch in a location that is not directly subject to debris and dust from cutting. The actuator and the switch body must be protected from accumulated cutting debris and dirt.



- Do not use the switch in locations subject to hot water (greater than 60°C) or in water vapor.
- Do not use the switch outside the specified temperature and atmospheric conditions. The permissible ambient temperature depends on the model. (Refer to the specifications in this catalog.) Sudden thermal changes may cause thermal shock to distort the switch and result in faults.



- Mount a cover if the switch is to be installed in a location where worker inattention could result in incorrect operation or accidents.



- Subjecting the switch to continuous vibration or shock may result in contact failure or faulty operation due to abrasion powder and in reduced durability. Excessive vibration or shock will cause the contacts to operate malfunction or become damaged. Mount the switch in a location that is not subject to vibration or shock and in a direction that does not subject the switch to resonance.
- If silver contacts are used with relatively low frequency for a long time or are used with microloads, the sulfide coating produced on the contact surface will not be broken down and contact faults will result. Use a microload switch that uses gold contacts.
- Do not use the switch in atmospheres with high humidity or heat or in harmful gases, such as sulfide gas (H<sub>2</sub>S, SO<sub>2</sub>), ammonia gas (NH<sub>3</sub>), nitric acid gas (HNO<sub>3</sub>), or chlorine gas (Cl<sub>2</sub>). Doing so may impair functionality, such as with damage due to contacting faults or corrosion.
- The switch includes contacts. If the switch is used in an atmosphere with silicon gas, arc energy may cause silicon oxide (SiO<sub>2</sub>) to accumulate on the contacts and result in contact failure. If there is silicon oil, silicon filling, silicon wiring, or other silicon products in the vicinity of the switch, use a contact protection circuit to limit arcing and remove the source of the silicon gas.

A large grid of 20 columns and 30 rows of small squares, intended for writing notes. The grid is composed of thin lines forming a uniform pattern of squares across the page.

All sales are subject to Omron Electronic Components LLC standard terms and conditions of sale, which can be found at [http://www.components.omron.com/components/web/webfiles.nsf/sales\\_terms.html](http://www.components.omron.com/components/web/webfiles.nsf/sales_terms.html)

**ALL DIMENSIONS SHOWN ARE IN MILLIMETERS.**

To convert millimeters into inches, multiply by 0.03937. To convert grams into ounces, multiply by 0.03527.

---

**OMRON**<sup>®</sup>

**OMRON ELECTRONIC  
COMPONENTS LLC**

55 E. Commerce Drive, Suite B  
Schaumburg, IL 60173

**847-882-2288**

**OMRON ON-LINE**

Global - <http://www.omron.com>

USA - <http://www.components.omron.com>