

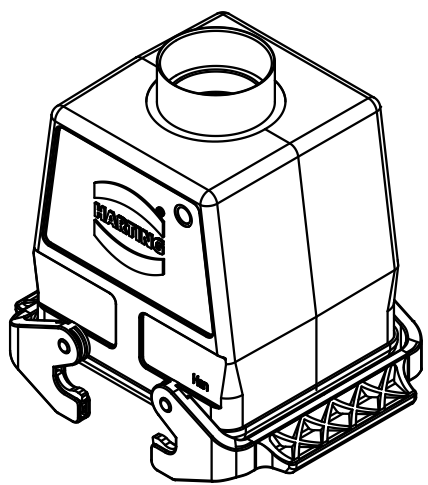
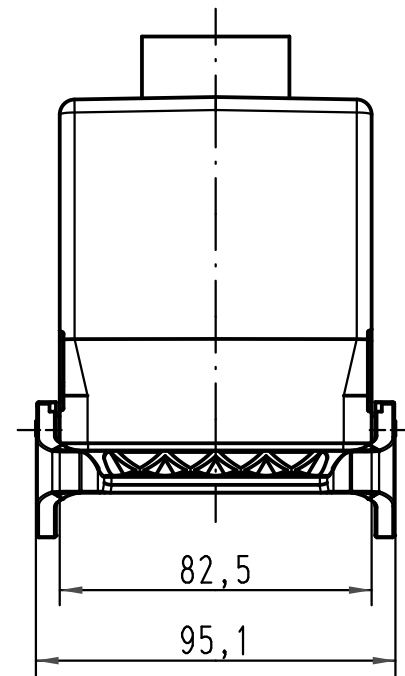
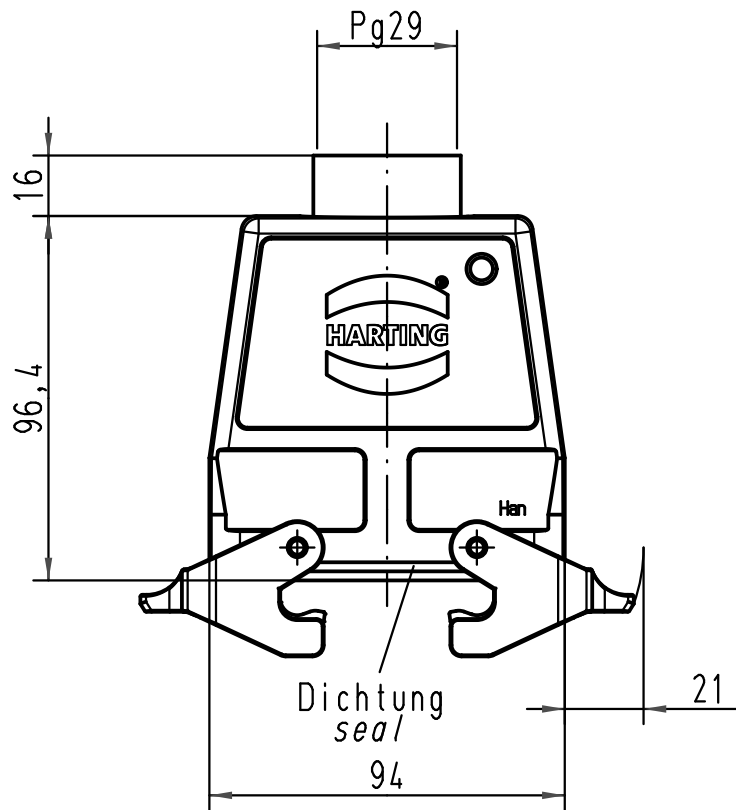
1 2 3 4 5 6

A

B

C

D



| | | | | | | | |
|---|------|-------------------|---|---------------|---|--|--------------------------|
| All Dimensions in mm Original Size DIN A 4 | | Techn. Character. | | | Nicht tolerierte Maß/Free size tolerances | | |
| | | | Dat. | Name | Maßstab/Scale 1:2 | Han 32B-kg-QB-29 Kupplungsgehäuse hood cable to cable | |
| | | | Detail. | 04.12.09/Rull | | | |
| | | | Insp. | Sch | | | |
| | | | Stand. | | | | |
| A | | | HARTING Electric GmbH & Co. KG D-32339 Espelkamp | | | | TB 09 30 032 0731 |
| Mod. | Dat. | Name | | | | | |
| | | | | | | Blatt/page | |