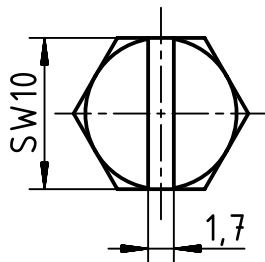
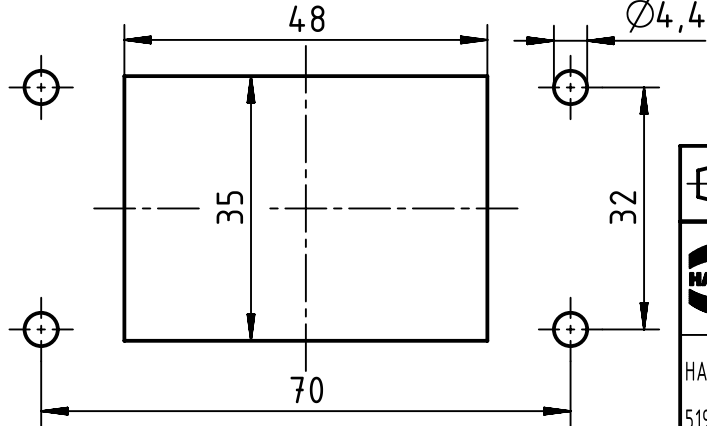


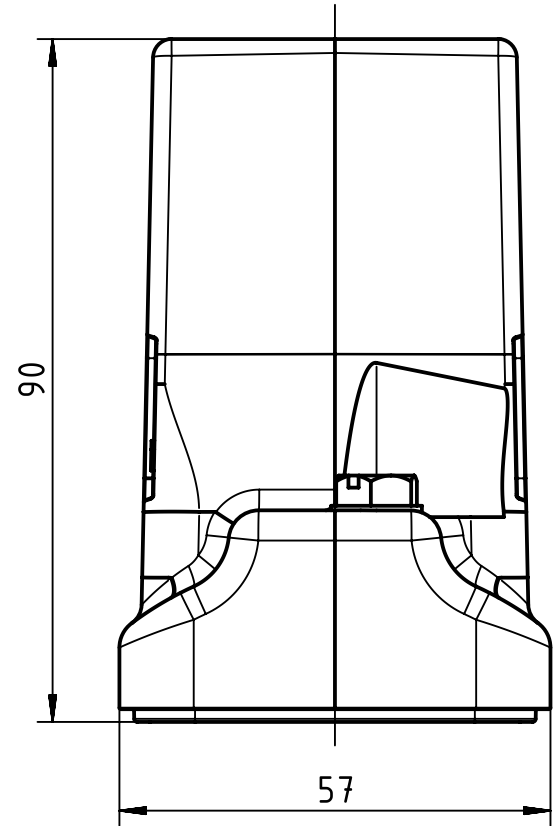
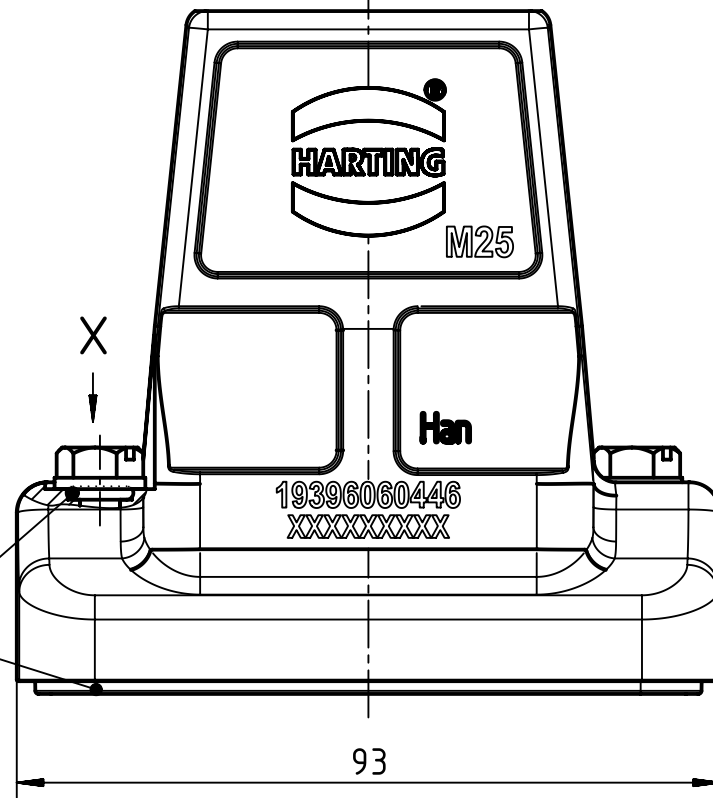
X (2:1)




Panel cut out



M25x1,5



	All Dimensions in mm Original Size DIN A4		Scale 1:1	Free size tol.		Ref.	
	All rights reserved Department EL PD - CN		Created by LONGL	Inspected by WENE	Standardisation TIEMANNA	Sub.	
HARTING (Zhuhai) Manufacturing Co., Ltd. 519085 Zhuhai, China		Title Han 6HP Direct/B-HTE-M25			Date 2017-03-22	State Final Release	
Type TB					Number 19 39 606 0446		Doc-Key / ECM-Nr. 100646316/UGD/002/C 500000117076
Rev. C						Page 1/1	