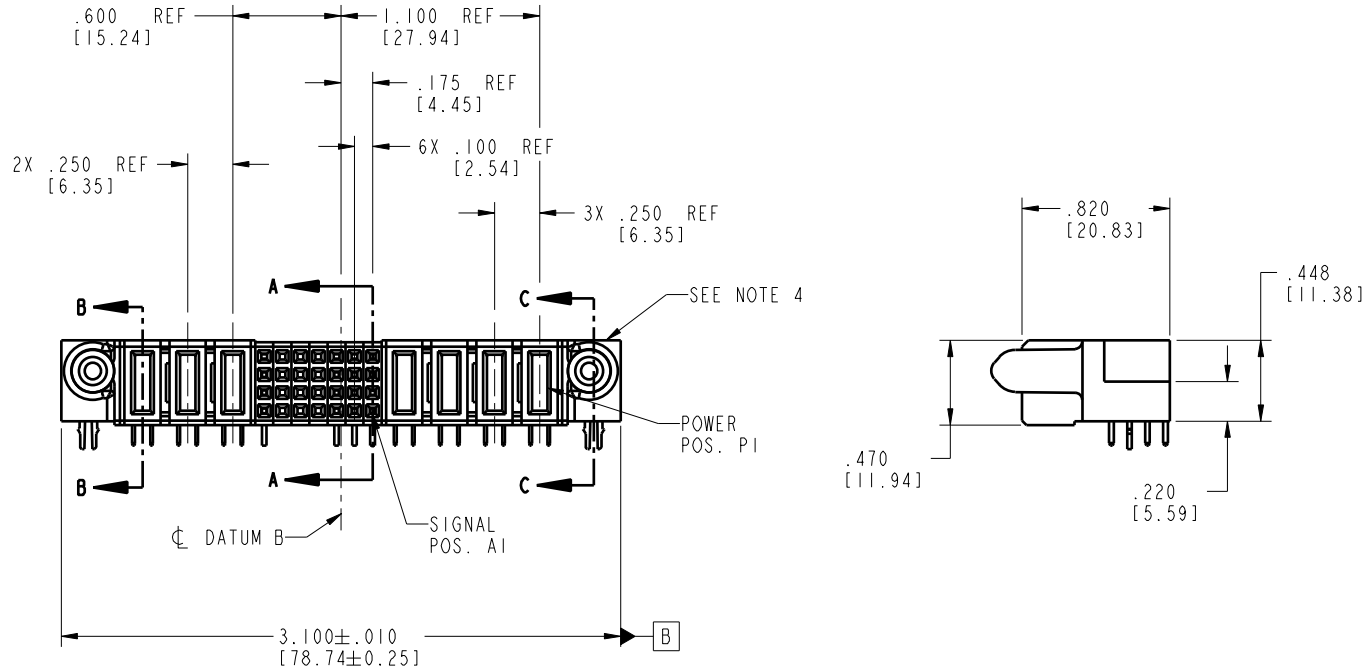


Tous droits strictement réservés. Reproduction ou communication o des liers interdite sous quelque forme que ce soit sans autorisation écrite du propriétaire. Propriété de c FCI. Droits de reproduction FCI.

All rights strictly reserved. Reproduction or issue to third parties in any form whatsoever is not permitted without written authority from the proprietor. Property of FCI. Copyright FCI.

PRODUCT NO.	ROWS	POWER				SIGNAL							POWER				E1					
		E2	P7	P6	P5	7	6	5	4	3	2	1	P4	P3	P2	P1						
51770-025-- NOTE ③	0 C B A		PA	PA	PA	H	X	X	X	H	H	H	H	H	H	H	H	PC	PA	PC	PA	



CODE	DIM "M" MATING LENGTH	CONTACT TYPE
H	N/A [N/A]	SIGNAL
G	N/A [N/A]	SIGNAL
F	N/A [N/A]	SIGNAL
E	N/A [N/A]	SIGNAL
HA	N/A [N/A]	HOLD-DOWN
PA	.042 [1.07]	POWER
PC	.092 [2.34]	POWER
X	OMITTED	OMITTED

mat'l code SEE NOTE 2				tolerances unless otherwise specified		CUSTOMER		<b>A</b> <b>FCI</b> www.fciconnect.com	
lir	ecr no.	dr	date	linear	.XX±.01/0.X±0.3	COPY		projection	title
A	DG06-0040	RYAN	02/09/06		.XXX±.005/0.XX±0.13	INCH/MM			4P + 28S + 3P
				angles	.XXX±.002/0.XXX±0.051	scale			R/A STB RECEPTACLE
				dr	0°±2°	1:1			product family
				engr	RYAN YUAN mm/dlyy				PwrBlade
				chr	SALLY LUO mm/dlyy				code
				opod	BEER FU mm/dlyy				213
					JOSEPH HSIA mm/dlyy				sheet
sheet index	revision	A	A	A	A				1 of 4
	sheet	1	2	3	4				

code code 22526

Pro/E

Tous droits strictement réservés. Reproduction ou communication à des tiers interdite sans quelque forme que ce soit sans autorisation écrite du propriétaire. Propriété de c FCI. Droits de reproduction FCI.

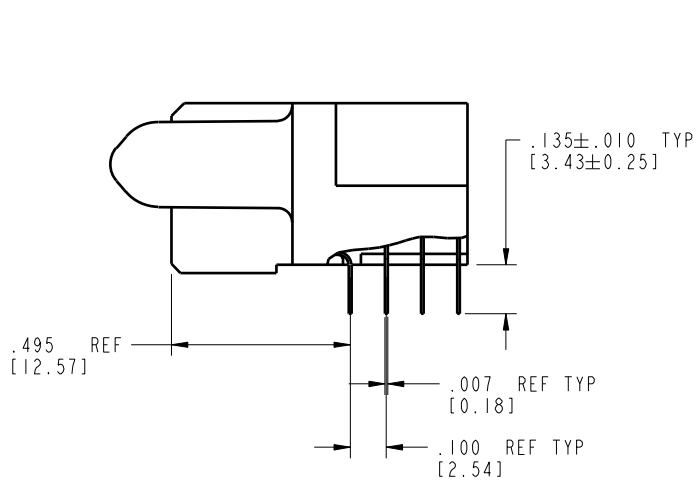
**A** FCI

All rights strictly reserved. Reproduction or issue to third parties in any form whatsoever is not permitted without written authority from the proprietor. Property of FCI. Copyright FCI.

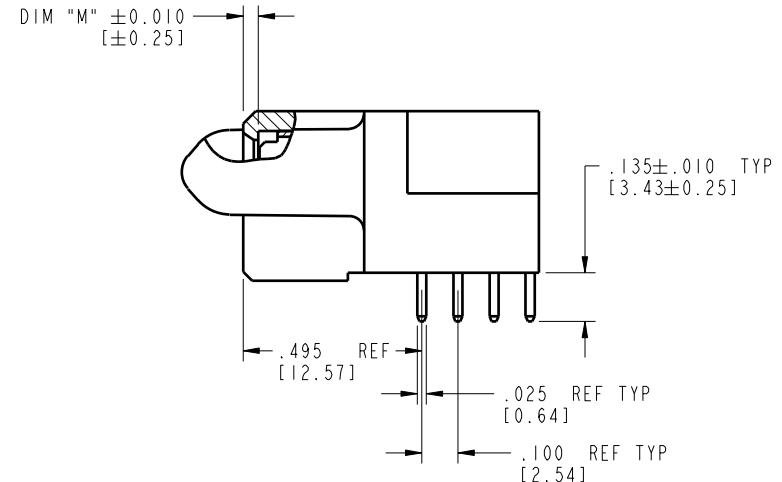
A

B

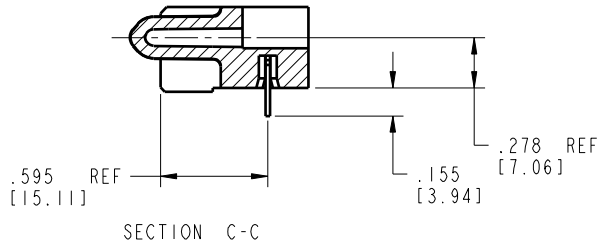
PRODUCT NUMBER  
51770-025--  
NOTE ③



BROKEN-OUT SECTION A-A  
SCALE 2:1



BROKEN-OUT SECTION B-B  
SCALE 2:1



SECTION C-C

mat'l code				SEE NOTE 2	tolerances unless otherwise specified		CUSTOMER		<b>A</b> <b>FCI</b> www.fciconnect.com
lir	ecn no.	dr	date	linear	.XX±.01/0.X±0.3	COPY		projection	
A				angles	.XXX±.005/0.XX±0.13	INCH/MM		title	
				dr	.XXX±.002/0.XXX±0.051	scale		4P + 28S + 3P	
				engr	0° ± 2°	1:1		R/A STB RECEPTACLE	
				chr	RYAN YUAN mm/d/yyyy	product family		PwrBlade	
				appd	SALLY LUO mm/d/yyyy	size		code	
					BEER FU mm/d/yyyy	A		213	
					JOSEPH HSIA mm/d/yyyy	51770-025		sheet	
sheet index	revision sheet							2 of 4	

A

B

1 | 2

3 |

4

1 | 2

3 |

4

Pro/E

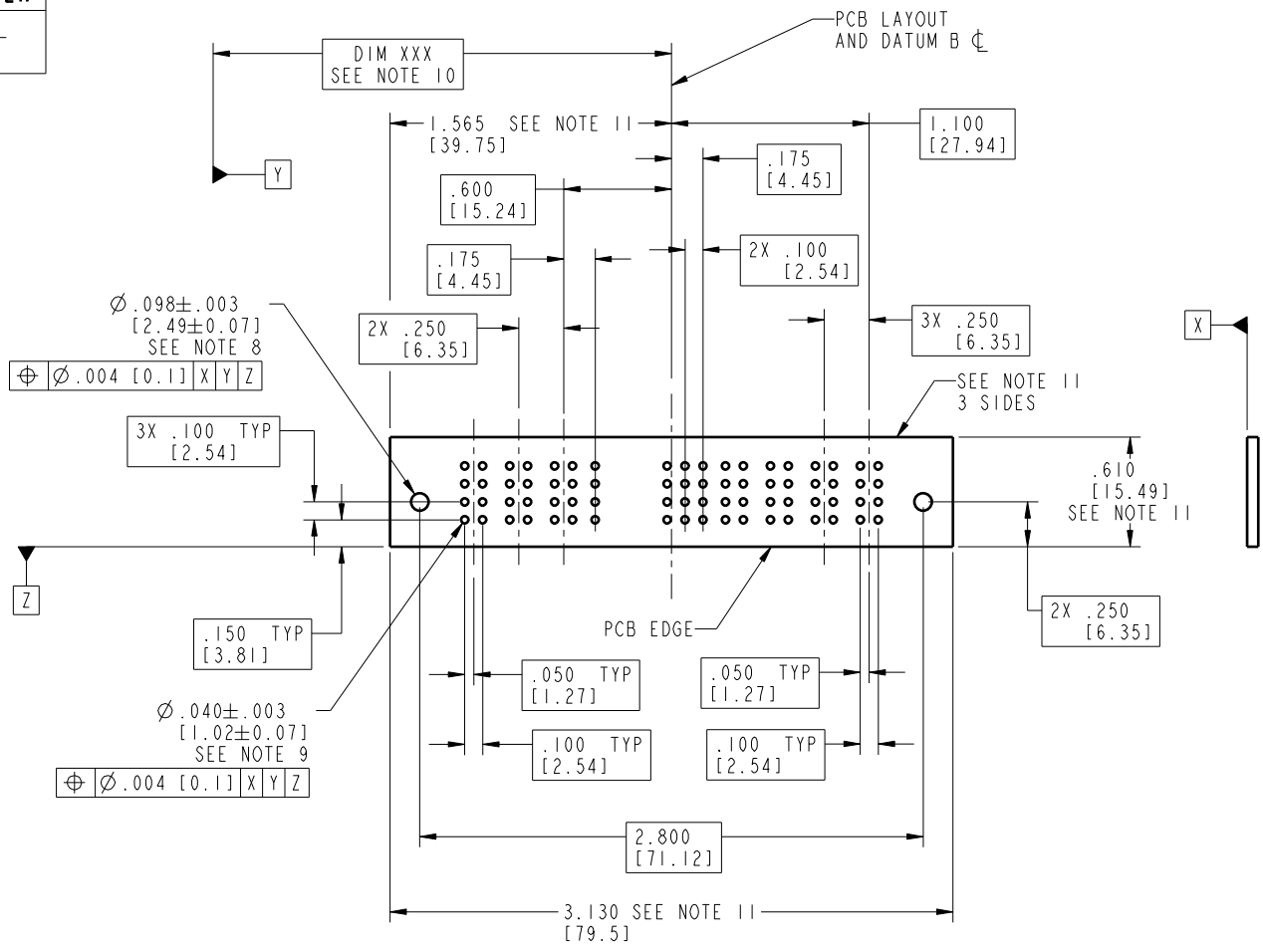
code code 22526

Tous droits strictement réservés. Reproduction ou communication à des tiers interdite sans quelque forme que ce soit sans autorisation écrite du propriétaire. Propriété de c FCI. Droits de reproduction FCI.

All rights strictly reserved. Reproduction or issue to third parties in any form whatsoever is not permitted without written authority from the proprietor. Property of FCI. Copyright FCI.



PRODUCT NUMBER  
51770-025--  
NOTE ③



mat'l code		SEE NOTE 2		tolerances unless otherwise specified		CUSTOMER		 www.fciconnect.com	
itr	ecn no.	dr	date	linear	.XX±.01/0.X±0.3	COPY			
A					.XXX±.005/0.XX±0.13	INCH/MM		title	
				angles	.XXX±.002/0.XXX±0.051	scale		4P + 28S + 3P	
				dr	0° ± 2°	1:1		R/A STB RECEPTACLE	
				engr	RYAN YUAN mm/dlly	product family		PwrBlade	
				chr	SALLY LUO mm/dlly	size		213	
				appd	BEER FU mm/dlly	dwg no		51770-025	
					JOSEPH HSIA mm/dlly	sheet		3 of 4	
sheet index	revision sheet								

code code 22526

Tous droits strictement réservés. Reproduction ou communication o des liers interdite sous quelque forme que ce soit sans autorisation écrite du propriétaire. Propriété de c FCI. Droits de reproduction FCI.



All rights strictly reserved. Reproduction or issue to third parties in any form whatsoever is not permitted without written authority from the proprietor. Property of FCI. Copyright FCI.

1 | 2

3 |

4

**PRODUCT NUMBER**  
51770-025--  
NOTE ③

NOTES:

1. DIMENSIONS AND TOLERANCES ARE IN ACCORDANCE WITH ASME Y14.5M, 1994 UNLESS OTHERWISE SPECIFIED.

CONNECTOR NOTES:

② HOUSING MATERIAL: UL 94 V-0 GLASS FILLED HIGH-TEMP THERMOPLASTIC  
POWER CONTACT MATERIAL: COPPER ALLOY  
SIGNAL PIN MATERIAL: COPPER ALLOY

③ PLATING:  
SEE PRINT 10064183 FOR PLATING SPEC OF 51770-025; 51770-025LF

④ MANUFACTURER'S NAME, P/N, AND DATE CODE TO APPEAR ON THIS SURFACE.

5. PRODUCT SPECIFICATION GS-12-149.  
APPLICATION SPECIFICATION BUS-20-067.

6. PACKAGED IN TRAYS.

PCB NOTES:

7. ALL HOLE DIAMETERS ARE FINISHED HOLE SIZE.

⑧ MOUNTING HOLES, WHERE APPLICABLE, ARE UNPLATED.

⑨  $\varnothing .0453 \pm .0010$  [1.151 ± 0.025] DRILLED HOLES PLATED WITH  
.0003 [0.008] MIN SnPb OVER .001 [0.03]  
TO .003 [0.08] Cu PLATING TO ACHIEVE  
 $\varnothing .040 \pm .003$  [1.02 ± .07] HOLE.

⑩ "DIM XXX" TO BE DETERMINED BY THE CUSTOMER.

⑪ CONNECTOR KEEP-OUT ZONE.

mat'l code		SEE NOTE 2		tolerances unless otherwise specified		CUSTOMER		 www.fciconnect.com	
lir	ecm no.	dr	date	linear	.XX±.01/0.X±0.3	COPY		projection	title
A					.XXX±.005/0.XX±0.13	INCH/MM			4P + 28S + 3P
				angles	.XXX±.002/0.XXX±0.051	scale			R/A STB RECEPTACLE
				dr	0° ± 2°	1:1			
				engr	RYAN YUAN mm/dl/yy	product family		PwrBlade	code
				chr	SALLY LUO mm/dl/yy	size		dwg no	213
				opod	BEER FU mm/dl/yy	A		51770-025	sheet
					JOSEPH HSIA mm/dl/yy				4 of 4
sheet index	revision sheet								

1 | 2

Pro/E

3 |

code code 22526

4