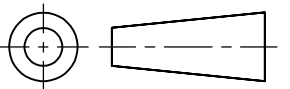


DO NOT SCALE  
DIMENSIONS IN mm

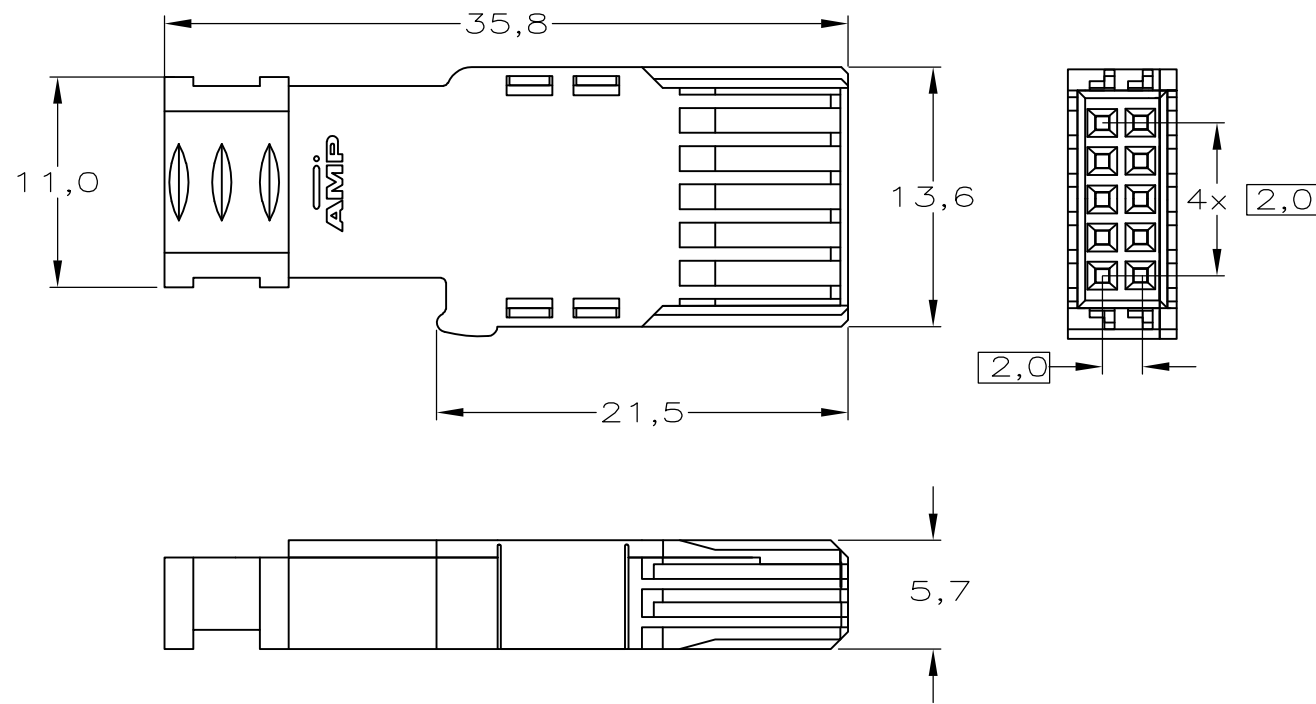
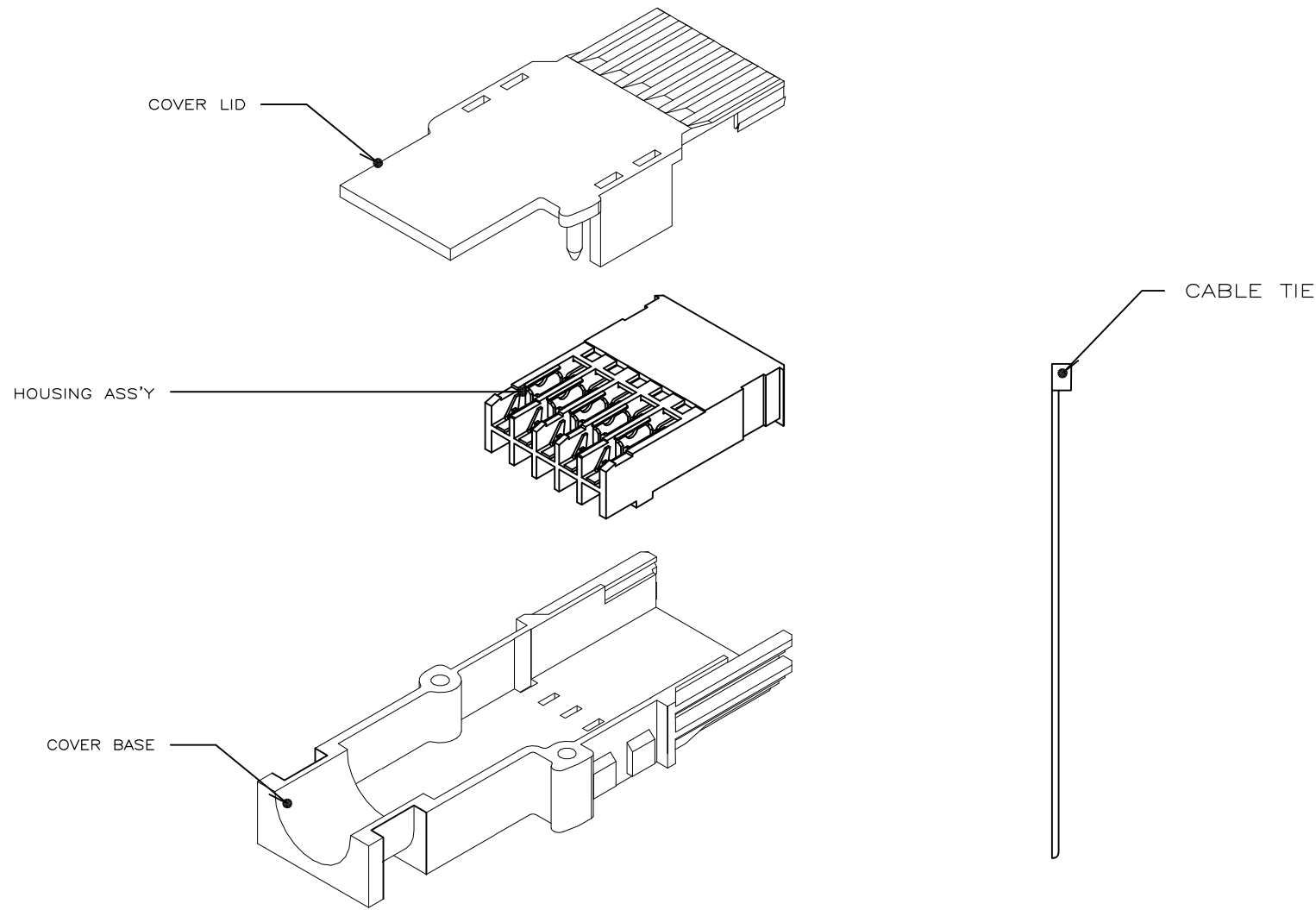
METRIC

THIRD ANGLE  
PROJECTION



NOTES:

- 1 PARTS PACKAGED UNASSEMBLED
- 2 BULKPACKEGE CONSIST OF 50 KITS
- 3 FOR MOUNTING INSTRUCTIONS SEE 114-19039
- 4 SUITABLE FOR 30-26 AWG (0,25-0,40 mm DIA) WITH 1,0 MM DIA MAX INSULATION
- 5 SUITABLE FOR 26-24 AWG (0,40-0,50 mm DIA) WITH 1,0 MM DIA MAX INSULATION
- 6 MATERIAL:  
CONTACT: PHOSPHORBRONZE  
HOUSING: LIQUID CRYSTAL POLYMER  
COVERS: GLASSFILLED POLYESTER (BLACK)
- 7 FINISH CONTACTS:  
0,8µm AU over 1,3µm Ni IN CONTACT AREA  
REMAINDER 2,0µm MAX. TIN OVER 1,3 µm Ni
- 8 MAXIMUM CABLE DIAMETER  
WHEN NOT EXCEEDING COVER LID: 2,6 mm  
OTHERWISE: 4,0 mm
- 9 3D DRAWING DOESN'T SHOW FULL DETAILS



26-24 AWG CABLE CONNECTOR KIT		2	5	1-352167-2	
30-26 AWG CABLE CONNECTOR KIT		2	4	1-352167-1	
DESCRIPTION		NOTES		PARTNUMBER	
-	-	-	-	CUSTOMER DRAWING FOR REFERENCE ONLY WILL NOT BE UPDATED	
-	-	-	-	© COPYRIGHT 1996 BY AMP HOLLAND B.V. ALL INTERNATIONAL RIGHTS RESERVED. AMP PRODUCTS MAY BE COVERED BY U.S. AND FOREIGN AND/OR PATENTS PENDING.	
-	-	-	-	THIS DRAWING IS UNPUBLISHED RELEASED FOR PUBLICATION	
C	ECO-12-014242	SY	AC	11JUL12	
B	EH-0839-01	MVE	MVE	26 JUL'01	
A	EH-1252-00	RB	WH	10-NOV-00	
0	EH-1111-96	DT	KK	26-SEP-96	
LTR.	REVISION RECORD	DR.	CHK.	DATE	
DR.:	D. TRUREN	CHK.:	K. KOCAKOGLU	APP.:	B. MOOIJ
DATE:	26-SEP-96	DATE:	26-SEP-96	DATE:	-
NAME		Z-PACK 2mm HM KIT			
10 POS. LF UNSHIELDED CABLE CONNECTOR		AMP HOLLAND B.V. 's-Hertogenbosch, The Netherlands.			
DWG.No.	C-352167	REV.LTR.	C	SHEET 1 OF 1	
				A3	