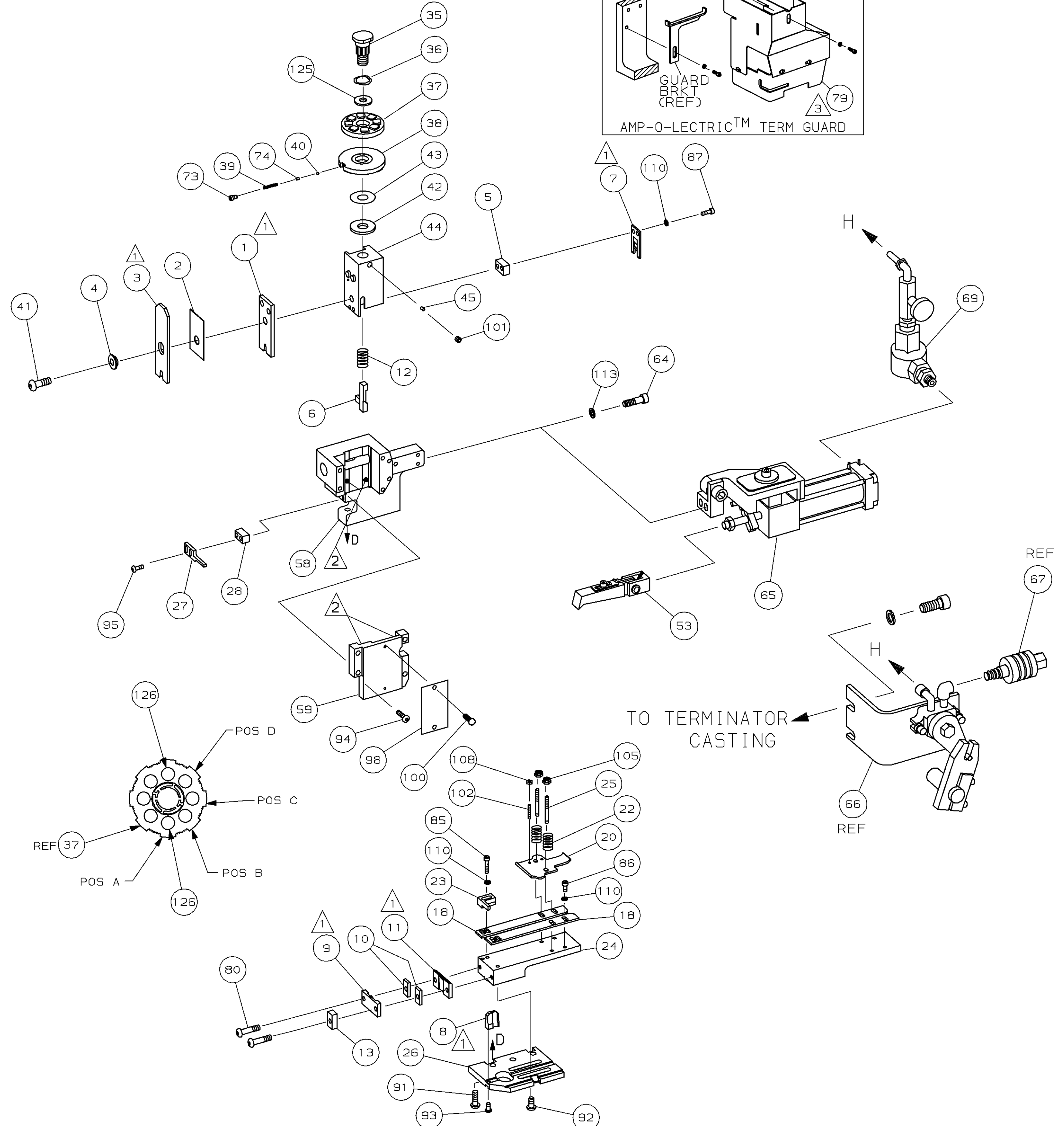
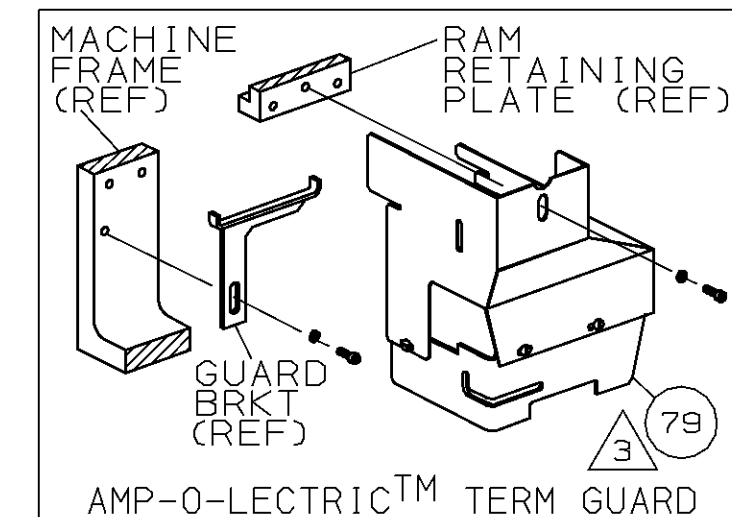


PART NUMBER	REV	FIRST USED
466361-1	H	565435-5



- ① RECOMMENDED SPARE PARTS.
- ② GREASE LIGHTLY.
- ③ GUARD MUST BE IN PLACE WHEN OPERATING APPLICATOR IN A BENCH MACHINE.
- ④ SEE DRAWING FOR COMPONENTS

TERMINAL NAME: .110 FASTON™ RECEPTACLE						
		42847				
		61093				
		62585				
PAD LTR		CRIMP HEIGHT		WIRE SIZE		
	A	.023 ± .002 [0.58 ± 0.05mm]	30 OR 28			
	B	NOT	USED			
	C	NOT	USED			
	D	NOT	USED			
CRIMP		SIZE	TYPE	RANGE		
	WIRE	.055 [1.40mm]	F	30-28		
	INSUL	.070 [1.78mm]	F	.020-.040		
WIRE STRIP LENGTH	TERM APPL SPEC	FEED	APPL INSTRUCTION	SET UP GAGE	LAYOUT	
-	114-35000	.665	408-8039	458638-1	808	

QTY	REV	DESCRIPTION	ITEM NO
			129
			128
			127
2	-	C 7-354779-6 PIN, WIRE DISC (.3370)A	126
1	-	A 986950-1 WASHER, FLAT PRECISION	125
1	-	A 217238-1 GENERAL INSTRUCTION PACKAGE	124
1	-	- 4088039 EF APPL INST 408-8039	123
			122
			121
			120
			119
			118
			117
			116
			115
			114
2	-	A 21024-5 WASHER, LOCK (#10) AIR ASSY	113
			112
7	-	A 21024-4 WASHER, LOCK (NO. 8) SHEAR BL	110
			109
2	-	A 21018-4 NUT, HEX (4-40) DRAG	108
			107
			106
2	-	A 21022-2 NUT, HEX SL (8-32) DRAG STUD	105
			104
			103
2	-	A 2-21006-6 SCR, SKT SET (4-40x.62) DRAG	102
1	-	A 21009-2 SCR, SKT SET (1/4-20x.25)RAM	101
2	-	A 21017-2 SCR, DRIVE (#2x.19) ID PLATE	100
			99
1	-	B 461264-1 PLATE, IDENTIFICATION	98
			97
			96
2	-	A 2-21002-2 SCR, BHC (8-32x.50) STRIPPER	95
4	-	A 2-21002-9 SCR, BHC (10-32x.75) CAP	94
1	-	A 22733-8 SCR, BHC (8-32x.38 LW) ANVIL	93
4	-	A 3-21002-3 SCR, BHC (1/4-20x.50) ST 6D PL	92
3	-	A 2-22733-8 SCR, BHC (1/4-20x.62) HSG	91
			90
			89
			88
2	-	A 2-21000-7 SCR, SHC (8-32x.50) SLUG BLADE	87
3	-	A 2-21000-5 SCR, SHC (8-32x.25) STRIP GUIDE	86
2	-	A 2-21000-8 SCR, SHC (8-32x.62) R STRIP GUIDE	85
			84
			83
			82
			81
2	-	A 3-21002-0 SCR, BHC (10-32x.88) SHEAR PL	80
1	-	A 457244-3 GUARD ASSY	79
			78
			77
			76
			75
1	-	A 690603-1 SPRING, ASSIST	74
1	-	A 23030-1 SCR, SKT CAP (6-32x.25) CP DSC	73
			72
			71

QTY REQD PER ASSY	U/M	DWG SIZE	PART NO	DESCRIPTION	ITEM NO
-1	U/M				

PARTS LIST					
QTY REQD PER ASSY	U/M	DWG SIZE	PART NO	DESCRIPTION	ITEM NO
-1	U/M				

-1	BENCH MODEL K	AIR FEED				
4	1	-	C	692655-5	AIR FEED VALVE ASSY	70
						69
						68
REF	-	A		24042-2	VALVE, SHUT OFF	67
4	REF	-	C	692655-6	AIR FEED VALVE ASSY	66
4	1	-	B	460277-1	AIR FEED VALVE (1 INCH)	65
						64
2	-	A		3-21000-9	SCR, SHC (10-32x1.00) AIR ASSY	63
						62
						61
						60
1	-	C		454220-1	CAP, RAM	59
1	-	D		453736-1	HOUSING	58
						57
						56
						55
						54
4	1	-	B	460680-5	FEED FINGER ASSY	53
						52
						51
						50
						49
						48
						47
						46
1	-	A		690191-1	PLUG, NYLON	45
1	-	C		455674-1	RAM	44
1	-	A		690125-1	WASHER, LAMINATED	43
1	-	A		690124-1	WASHER, RAM	42
1	-	A		7-21002-9	BOLT, CRIMPER (5/16-24x1.00)	41
1	-	A		23241-6	BALL, STEEL	40
1	-	A		690170-1	SPRING, COMPRESSION	39
1	-	C		690142-1	DISC, INSULATION	38
1	-	D		354777-1	WIRE DISC, PLASTIC	37
1	-	A		22480-5	WASHER, SPRING	36
1	-	B		690212-1	POST, RAM	35
						34
						33
						32
						31
						30
						29
1	-	B		3-690451-2	SPACER, STRIPPER	28
1	-	A		240639-1	STRIPPER	27
1	-	D		455676-1	PLATE, BASE	26
2	-	A		22354-8	DRAG, STUD	25
1	-	B		455678-2	PLATE, STRIP GUIDE	24
1	-	C		1-240825-2	PLATE, STRIP HOLD DOWN	23
2	-	A		4-22281-1	SPRING, DRAG	22
						21
1	-	A		454177-1	DRAG, STOCK	20
						19
2	-	C		461688-1	GUIDE, STRIP (FRONT)	18
						17
						16
						15
						14
1	-	C		690481-2	SPACER, HOLD DOWN	13
1	-	A		23846-1	SPRING, HOLD DOWN	12
1	-	B		240644-9	PLATE, REAR SHEAR	11
2	-	C		1-240645-6	SPACER, SHEAR PLATE	10
1	-	B		469723-2	PLATE, FRONT SHEAR	9
1	-	D		6-238005-0	ANVIL	8
1	-	B		240651-7	BLADE, SLUG	7
1	-	D		1-455892-9	HOLD DOWN, TERMINAL	6
1	-	C		2-240641-4	SPACER, SLUG BLADE	5
1	-	B		1-238009-7	SPACER, BLOCK CRIMPER	4
1	-	C		5-456134-2	CRIMPER, INSULATION	3
1	-	B		455888-1	SPACER, CRIMPER	2
1	-	C		456402-1	CRIMPER, WIRE	1

QTY REQD PER ASSY	U/M	DWG SIZE	PART NO	DESCRIPTION	ITEM NO
-1	U/M				

PARTS LIST					
QTY REQD PER ASSY	U/M	DWG SIZE	PART NO	DESCRIPTION	ITEM NO
-1	U/M				

LOC A
DIST 66

THIS DRAWING IS A CONTROLLED DOCUMENT FOR AMP INCORPORATED. IT IS SUBJECT TO CHANGE AND THE CONTROLLING ENGINEERING ORGANIZATION SHOULD BE CONTACTED FOR THE LATEST REVISION.

THIS INFORMATION IS CONFIDENTIAL AND IS DISCLOSED TO YOU ON CONDITION THAT NO FURTHER DISCLOSURE IS MADE BY YOU TO OTHER THAN AMP PERSONNEL WITHOUT WRITTEN AUTHORIZATION FROM AMP INCORPORATED, HARRISBURG, PA.