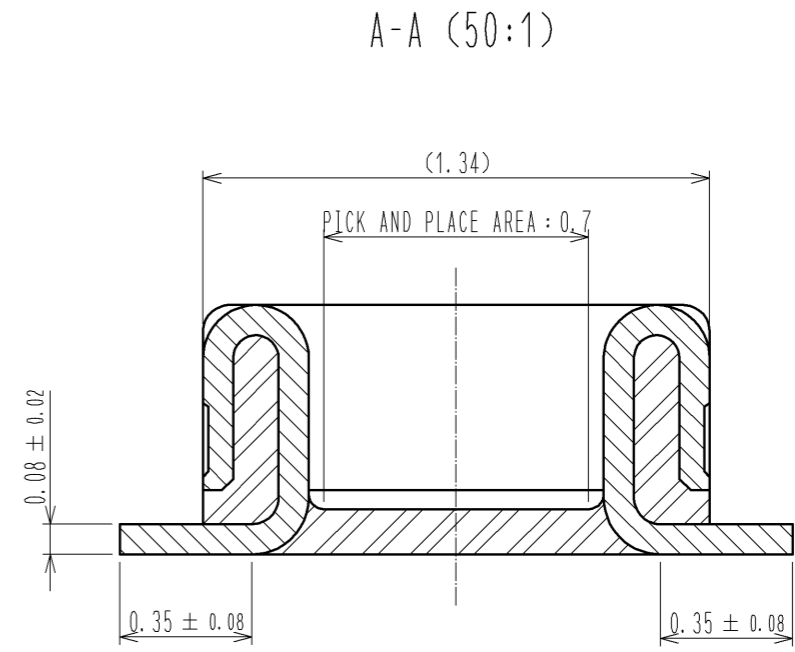
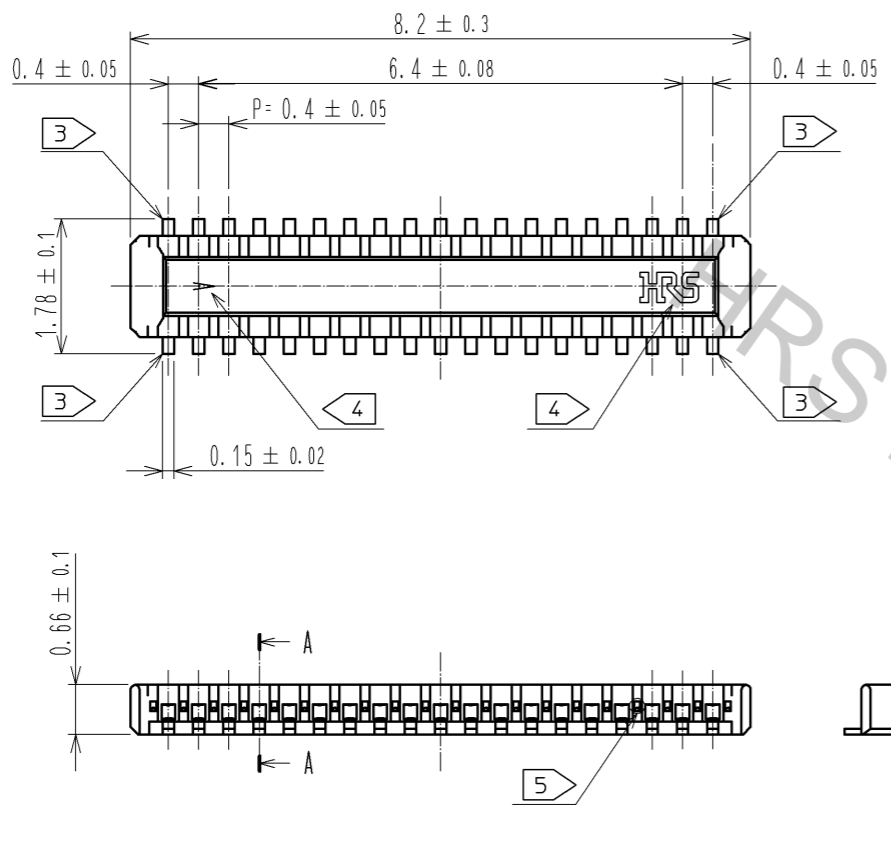
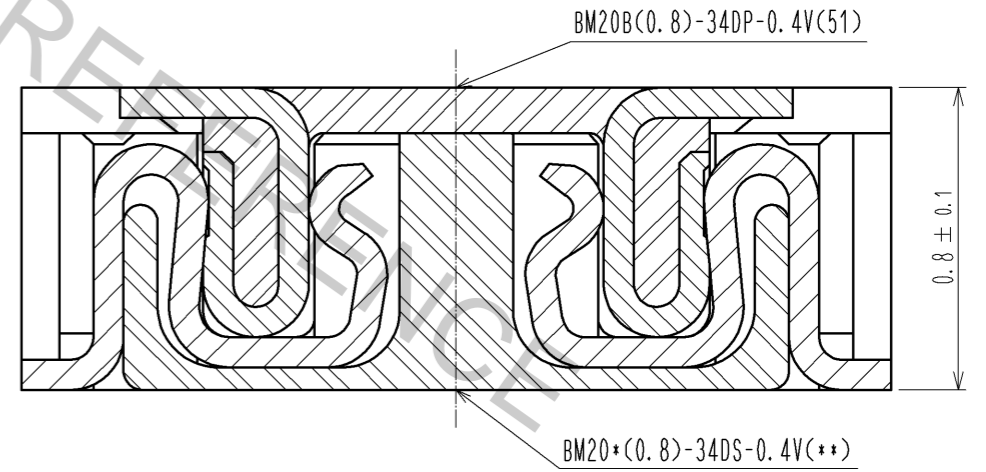


Apr.1.2017 Copyright 2017 HIROSE ELECTRIC CO., LTD. All Rights Reserved.



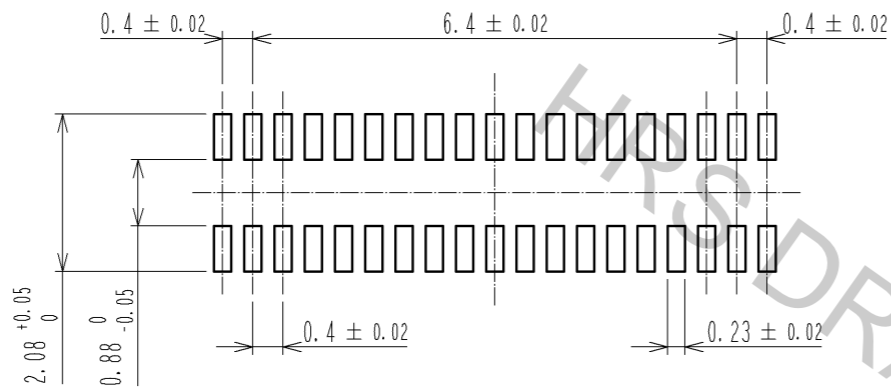
ENGAGEMENT FIGURE (50:1)

- NOTE 1 . ALL LEAD CO-PLANARITY SHALL BE 0.08mm MAX
- 2 CONTACT PLATING SPECIFICATIONS
CONTACT AREA : GOLD 0.05 μm MIN
SMT LEAD : GOLD 0.05 μm MIN
UNDER PLATING : NICKEL 1 μm MIN
(SURFACE : SEALING)
 - 3 EACH CONTACTS AT 4 CORNERS ARE PROVIDED FOR METAL FITTINGS.
 - 4 HRS MARK AND CAV No. ARE INDICATED IN APPROX POSITION SHOWN.
 - 5 A PART OF THE WALL COULD BE NOTCHED.



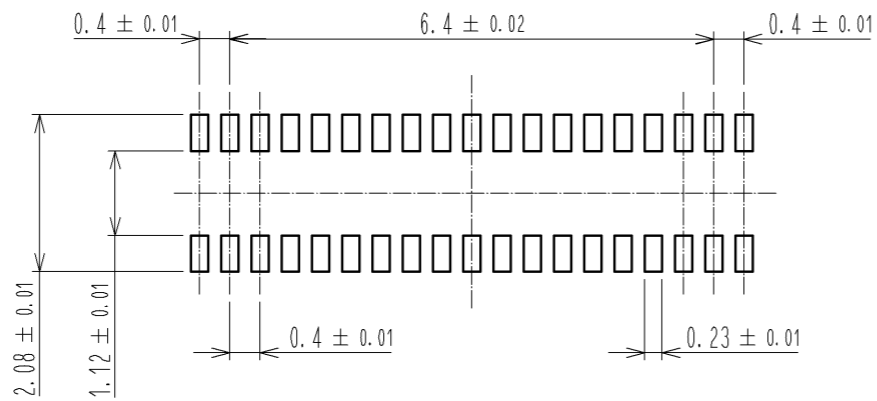
| 3 | PS | CLEAR (EMBOSSED CARRIER TAPE) | 6 | PS | CLEAR (REINFORCEMENT COLLAR) | | | |
|---------------------------|-----------------|-------------------------------|----------|-----------------------------------|------------------------------|----------|---------|------|
| 2 | PHOSPHOR BRONZE | 2 | 5 | PS | BLACK (PLASTIC REEL) | | | |
| 1 | LCP | UL94 V-0, BLACK | 4 | POLYESTER | CLEAR (COVER TAPE) | | | |
| NO. | MATERIAL | FINISH . REMARKS | NO. | MATERIAL | FINISH . REMARKS | | | |
| UNITS | mm | SCALE | 10 : 1 | COUNT | DESCRIPTION OF REVISIONS | DESIGNED | CHECKED | DATE |
| HIROSE ELECTRIC CO., LTD. | | APPROVED : KH. IKEDA | 12.03.13 | DRAWING NO. EDC3-343535-01 | | | | |
| | | CHECKED : TS. MIYAZAKI | 12.03.13 | PART NO. BM20B(0.8)-34DP-0.4V(51) | | | | |
| | | DESIGNED : YK. SATAKE | 12.03.12 | CODE NO. CL684-9019-0-51 | | | | |
| | | DRAWN : KR. AJITO | 12.03.09 | | | | | |

◆ RECOMMENDED PCB LAYOUT

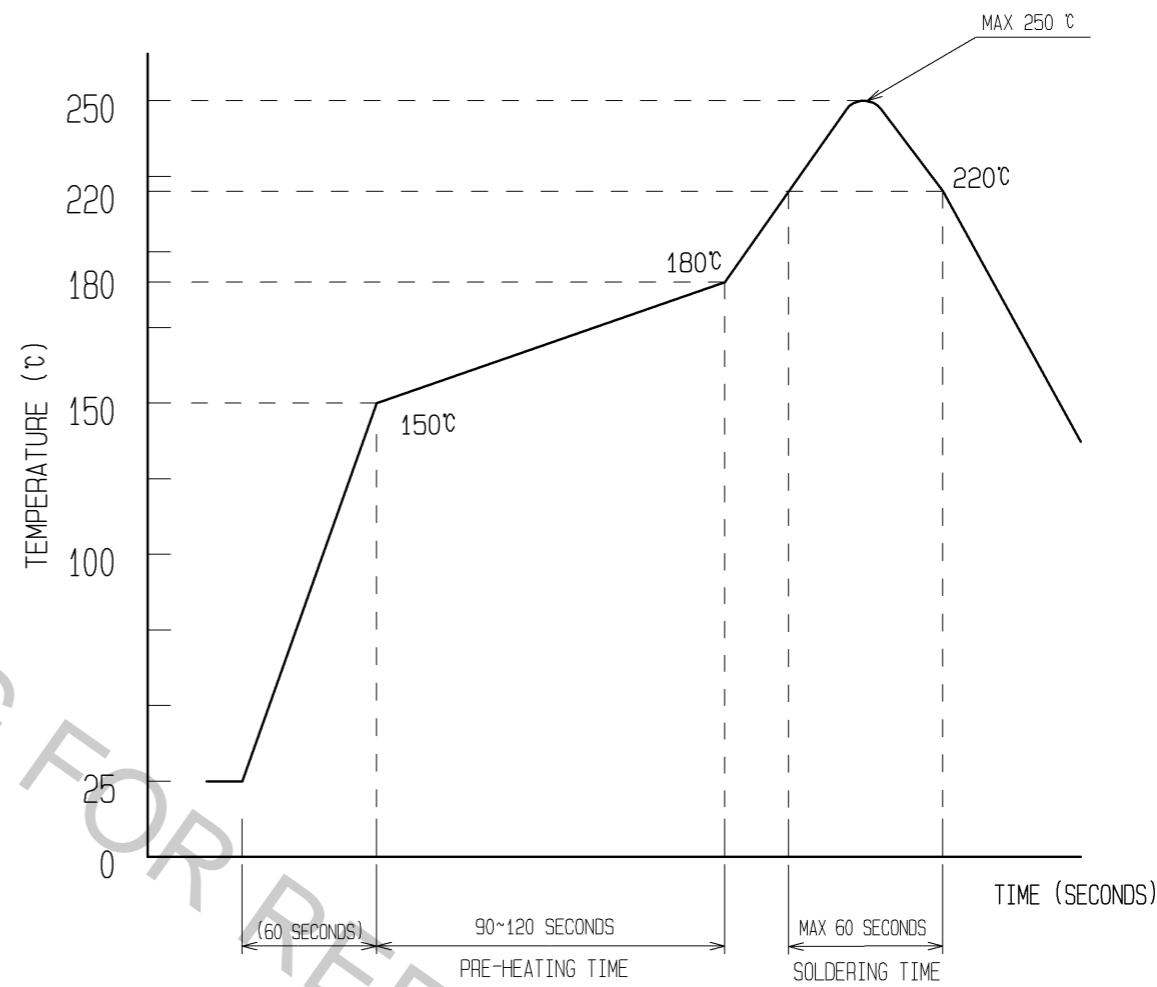


◆ RECOMMENDED METAL MASK DIMENSIONS

METAL MASK THICKNESS : 100 μm



6 RECOMMENDED REFLOW TEMPERATURE PROFILE USING LEAD-FREE SOLDER PASTE.

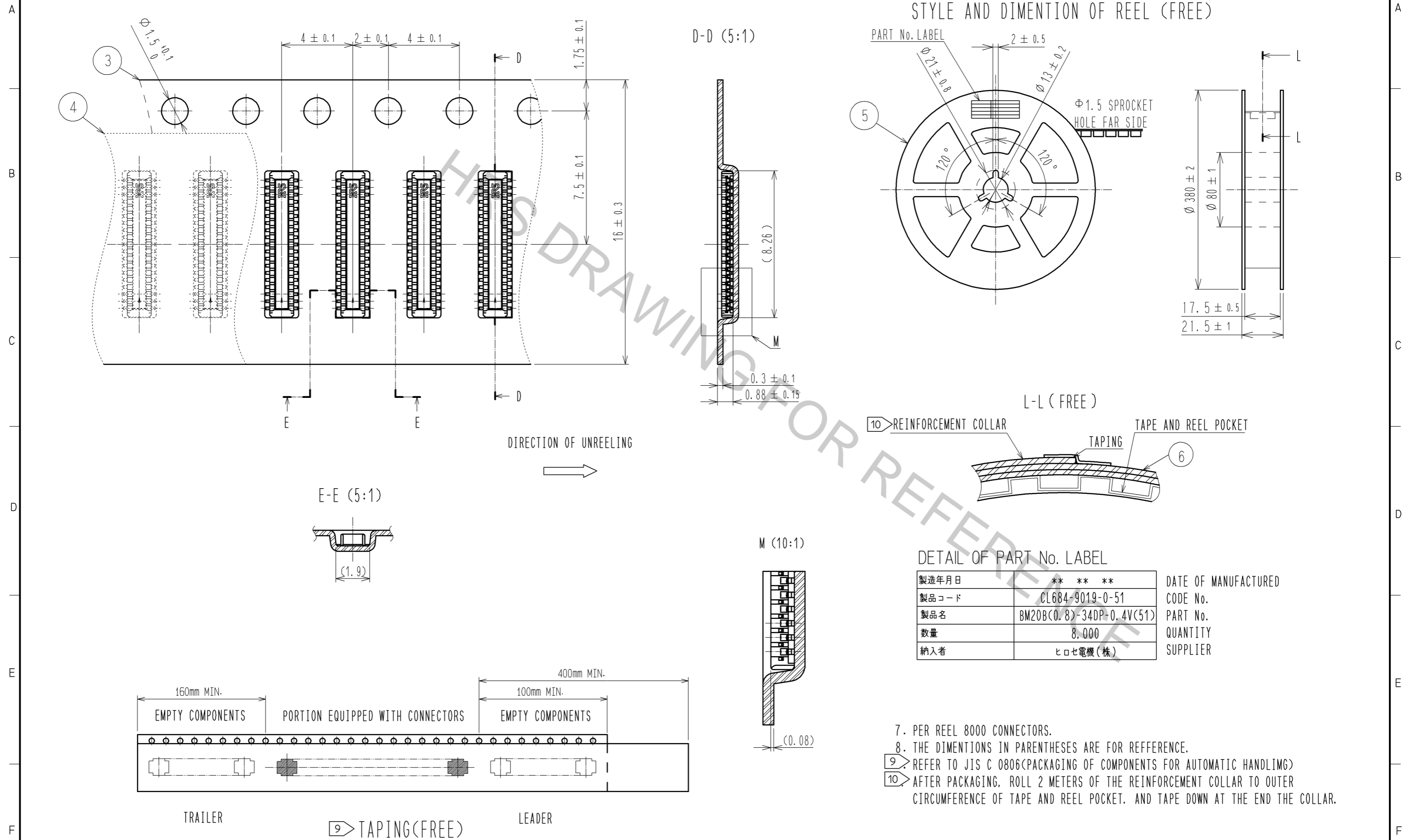


REFLOW METHOD: IR REFLOW
 NUMBER OF REFLOW CYCLES: 2 CYCLES MAX.
 1) REFLOW TIME
 DURATION ABOVE 220°C: 60 SEC MAX.
 (PEAK TEMPERATURE: 250°C MAX)
 2) PRE-HEAT TIME
 PRE-HEAT TEMPERATURE(MIN): 150°C
 PRE-HEAT TEMPERATURE(MAX): 180°C
 PRE-HEAT TIME: 90-120 SEC.

6 THIS TEMPERATURE PROFILE IS PER THE CONDITIONS SHOWN ABOVE. ADDITIONAL FACTORS, SUCH AS SOLDER PASTE TYPE, PCB SIZE AND OTHER MOUNTED COMPONENTS COULD AFFECT THE PROFILE. THEREFORE, A THOROUGH EVALUATION OF MOUNTING COONDITION IS REQUIRED PRIOR TO PRODUCTION. TEPERATURE IS MEASURED AT CONTACT LEAD.

| | | |
|------------|-------------|--------------------------|
| HRS | DRAWING NO. | EDC3-343535-01 |
| | PART NO. | BM20B(0.8)-34DP-0.4V(51) |
| | CODE NO. | CL684-9019-0-51 |

EMBOSED CARRIER TAPE PACKAGING (5:1)



DETAIL OF PART No. LABEL

| | | |
|-------|--------------------------|----------------------|
| 製造年月日 | ** ** * | DATE OF MANUFACTURED |
| 製品コード | CL684-9019-0-51 | CODE No. |
| 製品名 | BM20B(0.8)-34DP-0.4V(51) | PART No. |
| 数量 | 8,000 | QUANTITY |
| 納入者 | ヒロセ電機(株) | SUPPLIER |

- 7. PER REEL 8000 CONNECTORS.
- 8. THE DIMENSIONS IN PARENTHESES ARE FOR REFERENCE.
- 9. REFER TO JIS C 0806(PACKAGING OF COMPONENTS FOR AUTOMATIC HANDLING)
- 10. AFTER PACKAGING, ROLL 2 METERS OF THE REINFORCEMENT COLLAR TO OUTER CIRCUMFERENCE OF TAPE AND REEL POCKET. AND TAPE DOWN AT THE END THE COLLAR.

HRS

| | |
|-------------|--------------------------|
| DRAWING NO. | EDC3-343535-01 |
| PART NO. | BM20B(0.8)-34DP-0.4V(51) |
| CODE NO. | CL684-9019-0-51 |

3/3

Apr.1.2017 Copyright 2017 HIROSE ELECTRIC CO., LTD. All Rights Reserved.