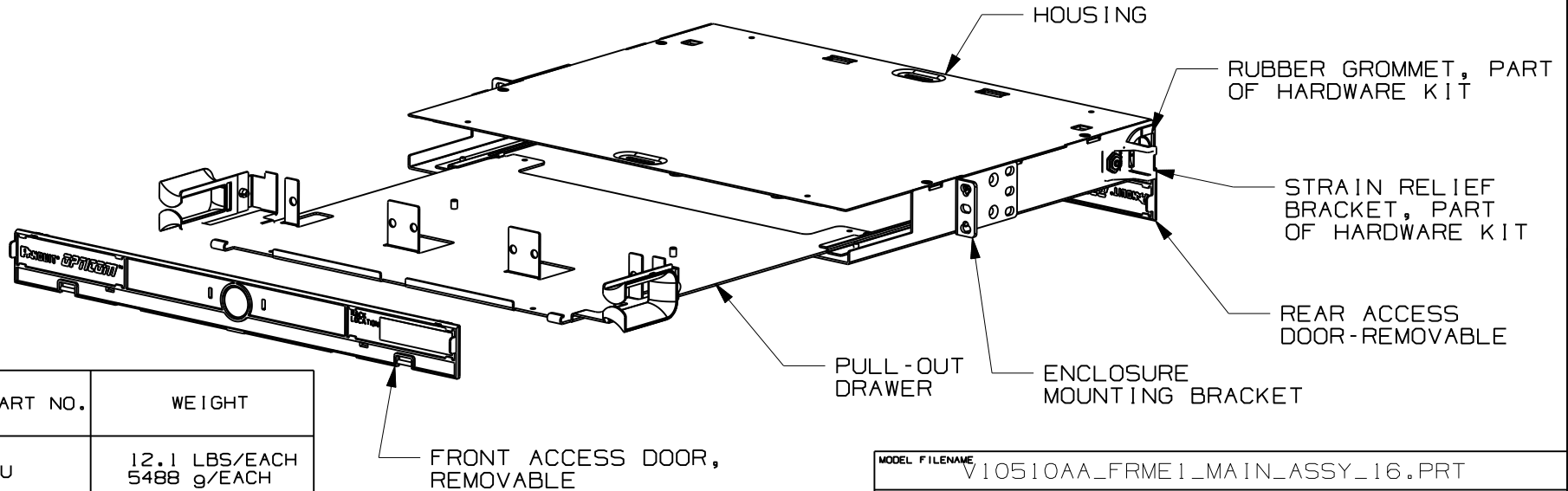
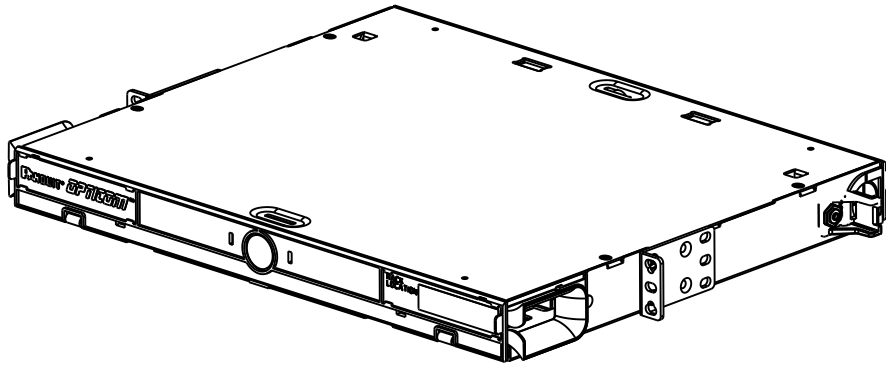


THIS COPY IS PROVIDED ON A RESTRICTED BASIS AND IS NOT TO BE USED IN ANY WAY DETRIMENTAL TO THE INTERESTS OF PANDUIT CORP.

NOTES:

1. SEE CATALOG FOR COMPLETE LIST OF PARTS APPLICABLE FOR USE WITH THIS PART.
2. DIMENSIONS IN PARENTHESIS ARE METRIC.
3. ENCLOSURE CAN BE MOUNTED ON A 19" OR 23" STANDARD EIA RACK.
4. BASE AND DRAWER MADE FROM 16 GAUGE AND TOP MADE FROM 18 GAUGE GALVANNEALED STEEL
5. ENCLOSURE IS PAINTED BLACK.
6. ENCLOSURE IS SUPPLIED WITH (1) HARDWARE KIT AND PORT I.D. LABEL.
7. PART CAN HOLD UP TO 3 FAPS OR QUICK NET CASSETTES, OR SPLICE A MAXIMUM OF 72 FIBERS.



PANDUIT PART NO.	WEIGHT
FRME1U	12.1 LBS/EACH 5488 g/EACH

MODEL FILENAME V10510AA_FRME1_MAIN_ASSY_16.PRT

CAD FILENAME/LAYERS V10510AA_DC_16A.PRT

PANDUIT CORP. TINLEY PARK, ILLINOIS

FIBER RACK MOUNTED ENCLOSURE (FRME1U) CUSTOMER DRAWING

UNLESS OTHERWISE SPECIFIED, DIMENSIONAL TOLERANCES ARE:
 INCHES X.X +/- 0.03 X.XX +/- 0.015 X.XXX +/- 0.005
 [METRIC - MILLIMETER] X.X +/- 0.8 X.X +/- 0.4 X.XX +/- 0.13
 ANGLE +/- 1°

UNLESS OTHERWISE SPECIFIED, ALL DIMENSIONS ARE GIVEN IN INCHES, THIRD ANGLE PROJECTION.

DRAWN BY JLG

MAT'L:

SCALE NONE

DATE 11/12/07

SEE NOTES

DRAWING NO.

10510-10

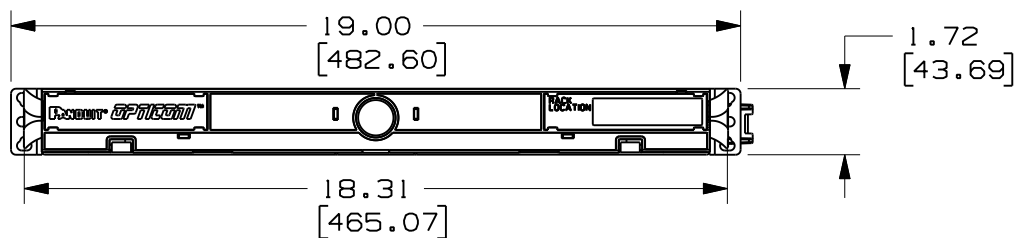
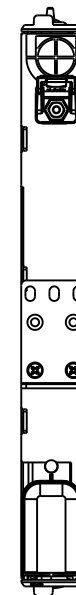
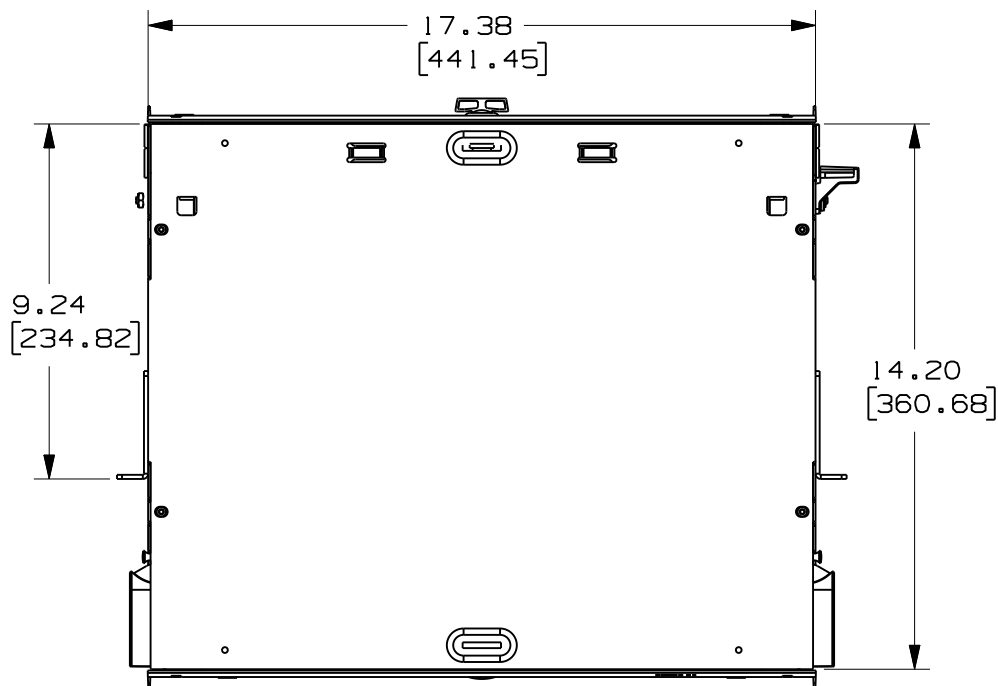
SHT 1 OF 2

CHK'D WJM

DWG A SIZE

REV	DATE	BY	CHK	DESCRIPTION	ECN	R	CUST	SUP	OTH
13	5/26/09	JLG		UPDATED TO CURRENT REVISION	10510-10				
12	3/18/09	JLG	WJM	UPDATED TO CURRENT REVISION	10510-10				
11A	10/14/08	JLG	WJM	UPDATED TO CURRENT REVISION	10510-10				
01	11/28/07	JLG	WJM	CORRECTED CAD FILENAME IN TITLE BLOCK	10510-10				
00	11/12/07	JLG	WJM	RELEASED TO PRODUCTION	10510-10				

THIS COPY IS PROVIDED ON A RESTRICTED BASIS AND IS NOT TO BE USED IN ANY WAY DETRIMENTAL TO THE INTERESTS OF PANDUIT CORP.



MODEL FILENAME		V10510AA_FRME1_MAIN_ASSY_16.PRT	
CAD FILENAME/LAYERS		V10510AA_DC_16A.PRT	
<h1>PANDUIT</h1> CORP. TINLEY PARK, ILLINOIS			
FIBER RACK MOUNTED ENCLOSURE (FRME1U) CUSTOMER DRAWING			
UNLESS OTHERWISE SPECIFIED, DIMENSIONAL TOLERANCES ARE:		UNLESS OTHERWISE SPECIFIED,	
INCHES	[METRIC - MILLIMETER]	ANGLE	ALL DIMENSIONS ARE GIVEN
X.X +/- 0.03	X. +/- 0.8	+/- 1°	IN INCHES, THIRD ANGLE PROJECTION.
X.XX +/- 0.015	X.X +/- 0.4		
X.XXX +/- 0.005	X.XX +/- 0.13		
DRAWN BY	MAT'L:	SCALE	
JLG		NONE	
DATE	SEE NOTES	DRAWING NO.	
11/12/07		10510-10	
CHK'D		SHT 2 OF 2	
WJM		DWG A SIZE	

00	11/12/07	JLG	WJM	SEE SHEET 1 OF 2 FOR REVISIONS	10510-10				
REV	DATE	BY	CHK	DESCRIPTION	ECN	R	CUST	SUP	OTH