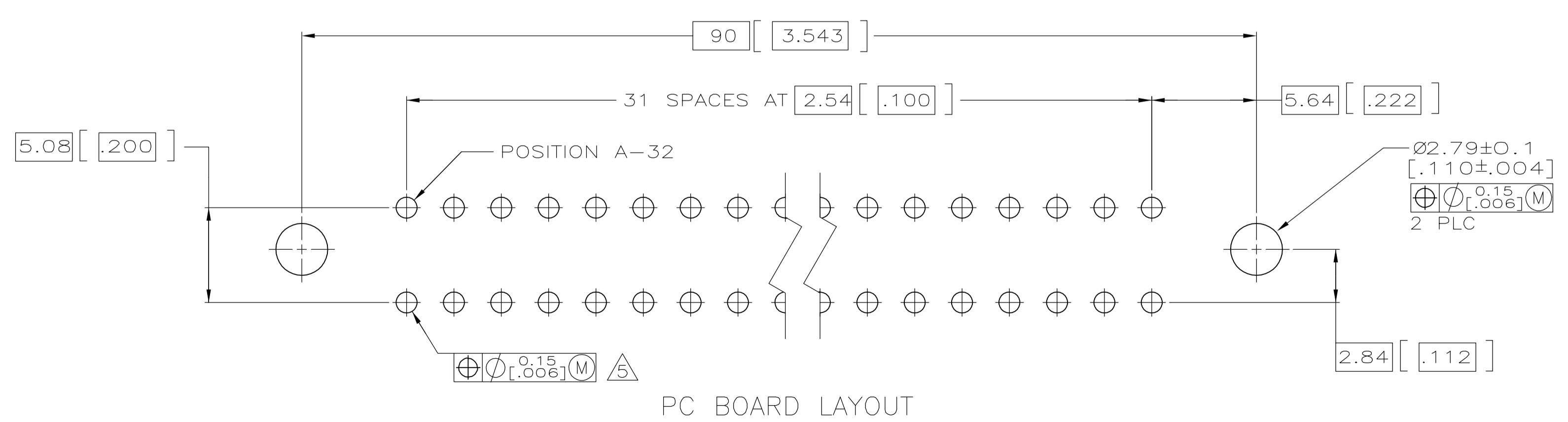
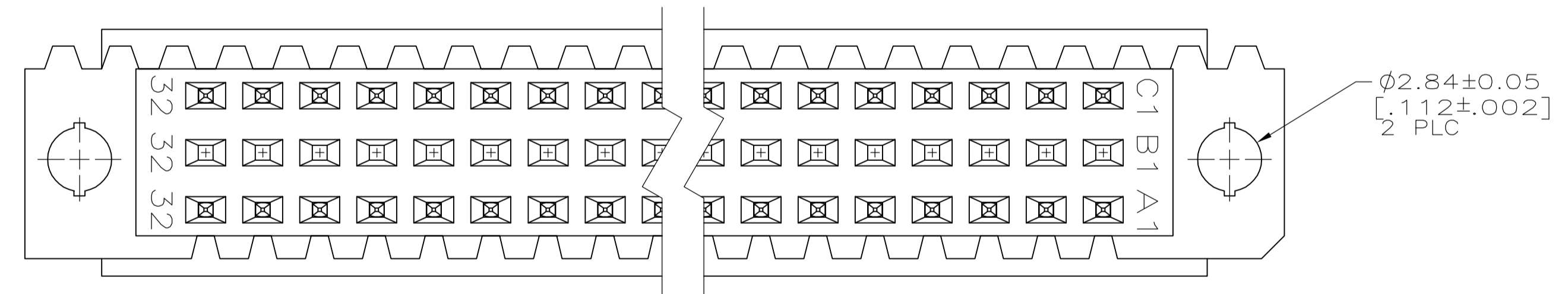
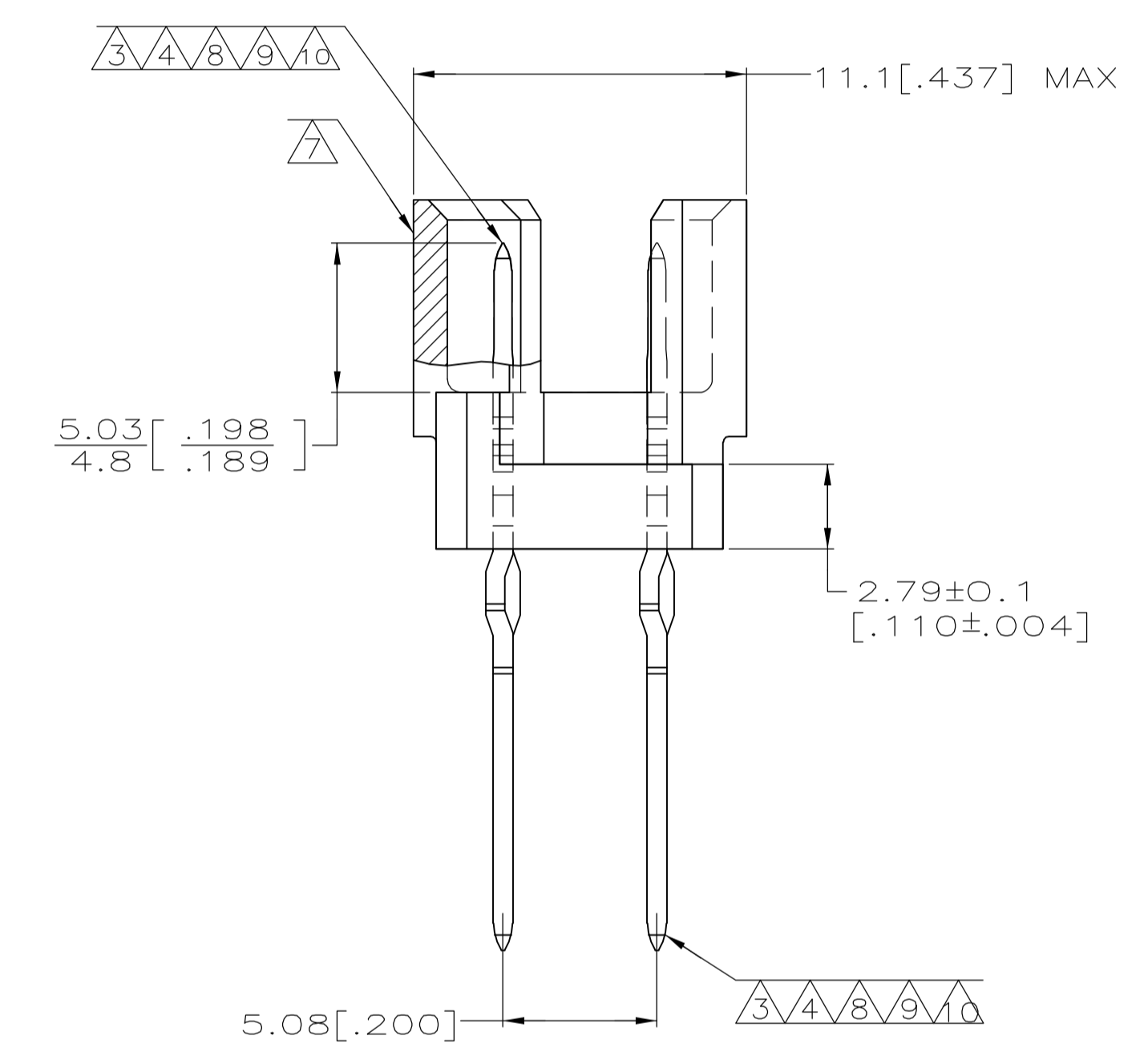
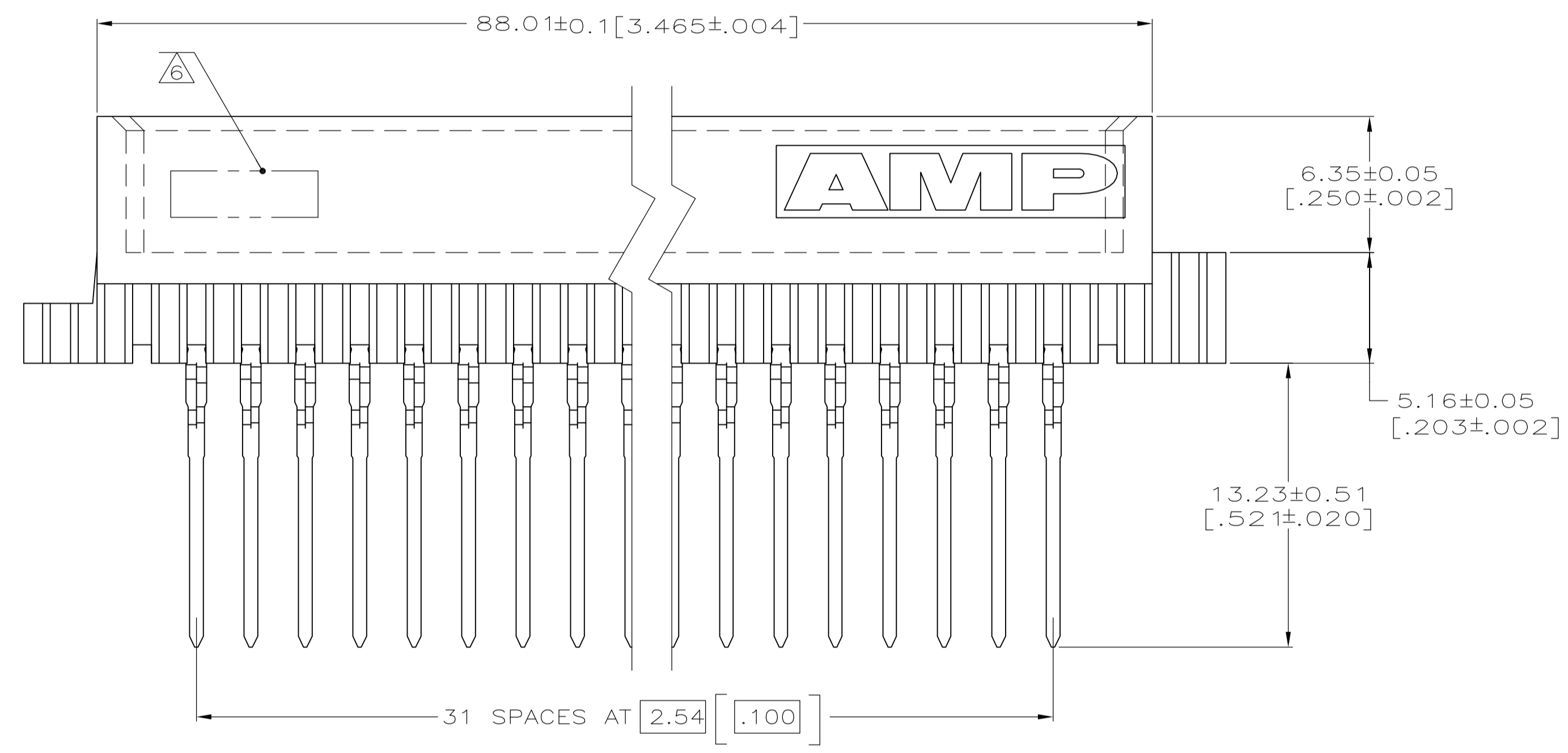


- ① HOUSING MATERIAL: GLASS-FILLED POLYESTER. COLOR: GRAY.
- ② POST MATERIAL: PHOSPHOR BRONZE.
- ③ POST FINISH: DIN 41612 CLASS 3 IN CONTACT AREA. TIN-LEAD PLATE ON POSTS.
- ④ POST FINISH: DIN 41612 CLASS 2 IN CONTACT AREA. TIN-LEAD PLATE ON POSTS.
- ⑤ ACTION PIN POSTS REQUIRE 2.36[.093] MINIMUM THICK PC BOARD. RECOMMENDED PC BOARD HOLES ARE 1.151[.0453] DIA PLATED THROUGH WITH 0.02-0.08[.001-.003] COPPER AND 0.008[.0003] MINIMUM TIN-LEAD PLATING. FINISHED HOLE AFTER PLATING, 0.94-1.09[.037-.043] DIA.
- ⑥ PART NUMBER, DATE CODE MARKED THIS APPROXIMATE AREA.
- ⑦ MARKING ON THIS SIDE.
- ⑧ POST FINISH: DIN 41612 CLASS 2 IN CONTACT AREA AND LAST 5.08[.200] OF POST.
- ⑨ POST FINISH: DIN 41612 CLASS 3 IN CONTACT AREA AND LAST 5.08[.200] OF POST.
- ⑩ POST FINISH: DIN 41612 CLASS 2 IN CONTACT AREA. TIN PLATE ON POSTS.



SUPERSEDED BY 1-650930-4	OBSOLETE ⑩	1-32	X	-	X	64	7-650930-5
	⑨	1-32	X	-	X	64	1-650930-9
	⑧	1-32	X	-	X	64	1-650930-4
	OBSOLETE ③	1-32	X	-	X	64	650930-9
	OBSOLETE ④	1-32	X	-	X	64	650930-5
NOTES	POSITIONS LOADED	ROWS LOADED	C	B	A	NO. OF LOADED POSITION	ASSY PART NUMBER

THIS DRAWING IS A CONTROLLED DOCUMENT.

DIMENSIONS: mm [INCHES]	TOLERANCES UNLESS OTHERWISE SPECIFIED:	DIN L BRINER 18MAR91	tyco Electronics Tyco Electronics Corporation Harrisburg, PA 17105-3608
0 PLC ± -	1 PLC ± -	CHK D.C. RUBENDALL 26MAR91	NAME PIN ASSEMBLY, EUROCARD, TYPE R
2 PLC ± -	3 PLC ± 0.13[.005]	APVD K.R. PARMER 26MAR91	PRODUCT SPEC
4 PLC ± -	ANGLES ± -	APPLICATION SPEC	SIZE CASE CODE DRAWING NO. RESTRICTED TO
MATERIAL	FINISH	WEIGHT	A1 00779 C=650930
① ②	③ ④ ⑧ ⑨ ⑩	CUSTOMER DRAWING	SCALE 5:1 SHEET 1 OF 1 REV N