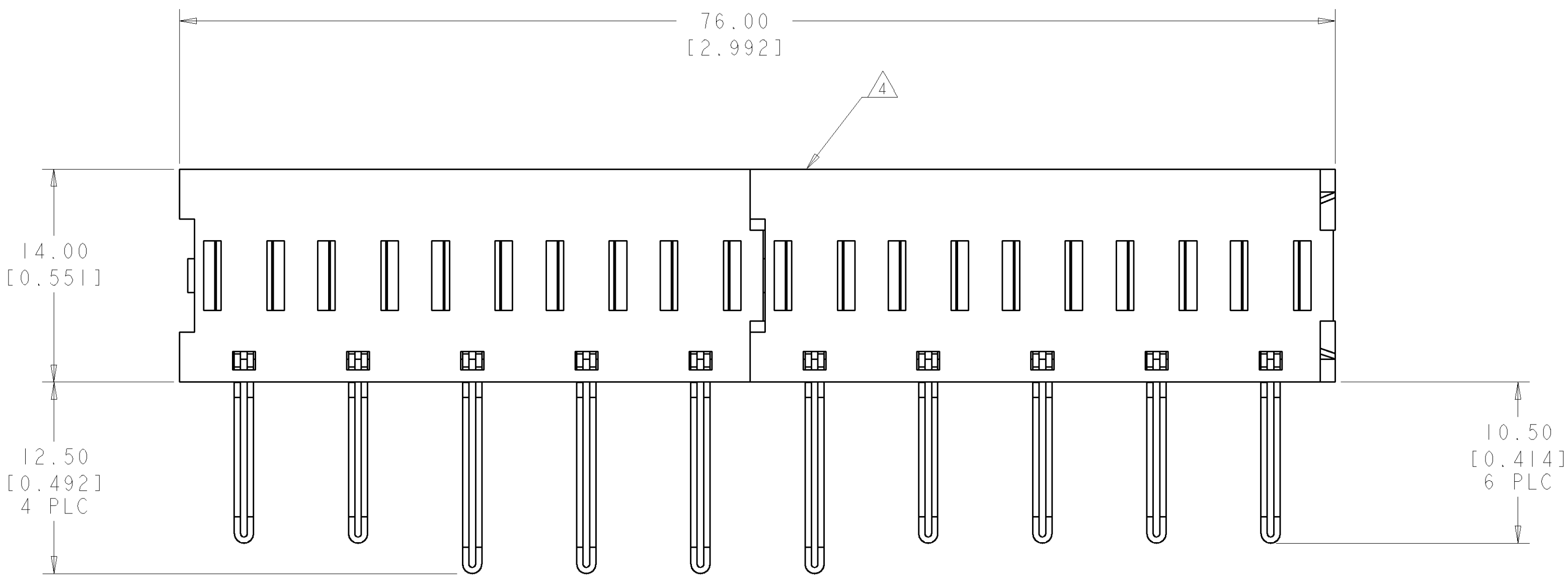


LOC	DIST	REVISIONS			
P	LTR	DESCRIPTION	DATE	DWN	APVD
A		RELEASED	02MAY2006	RG	SF

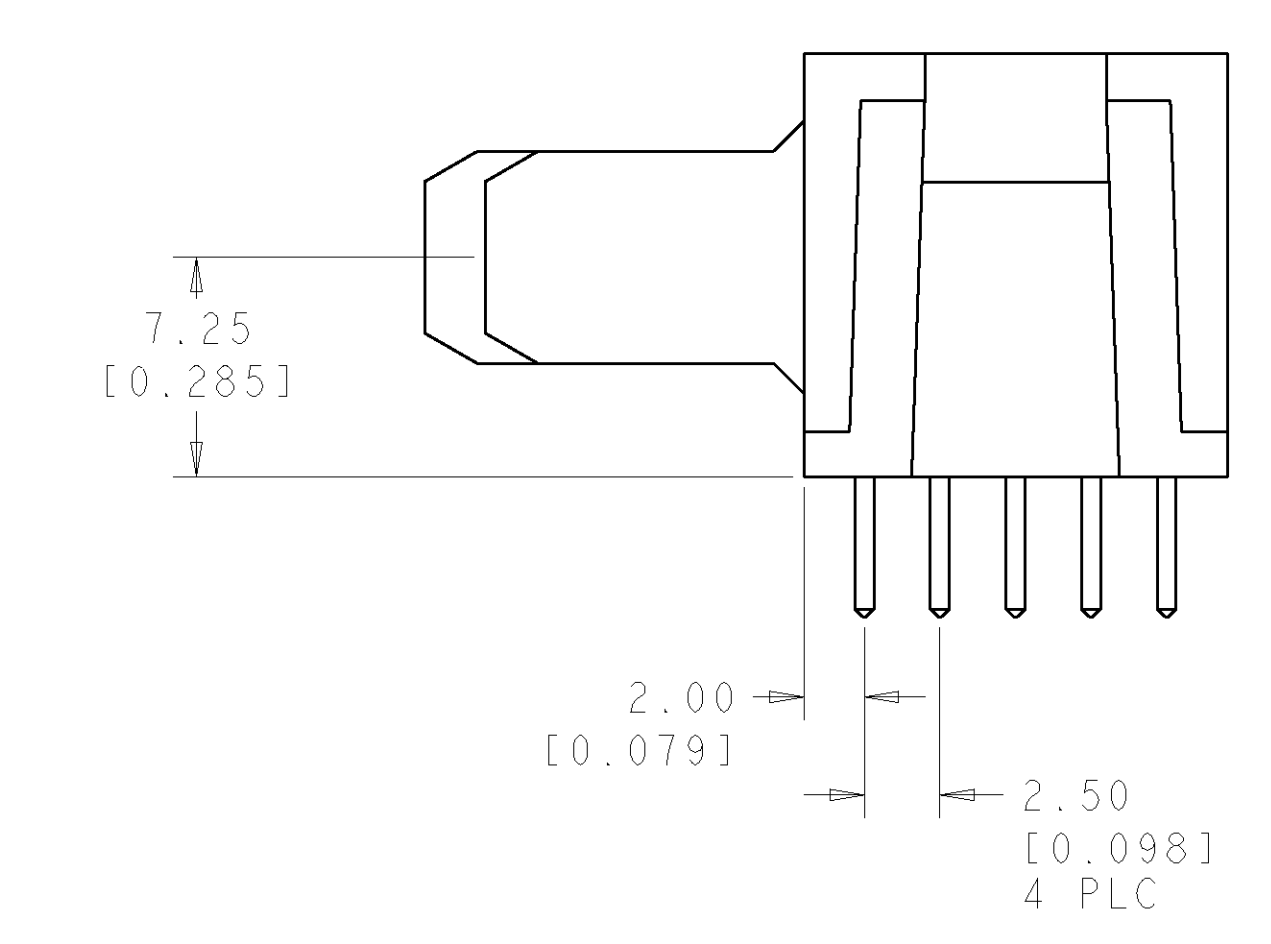
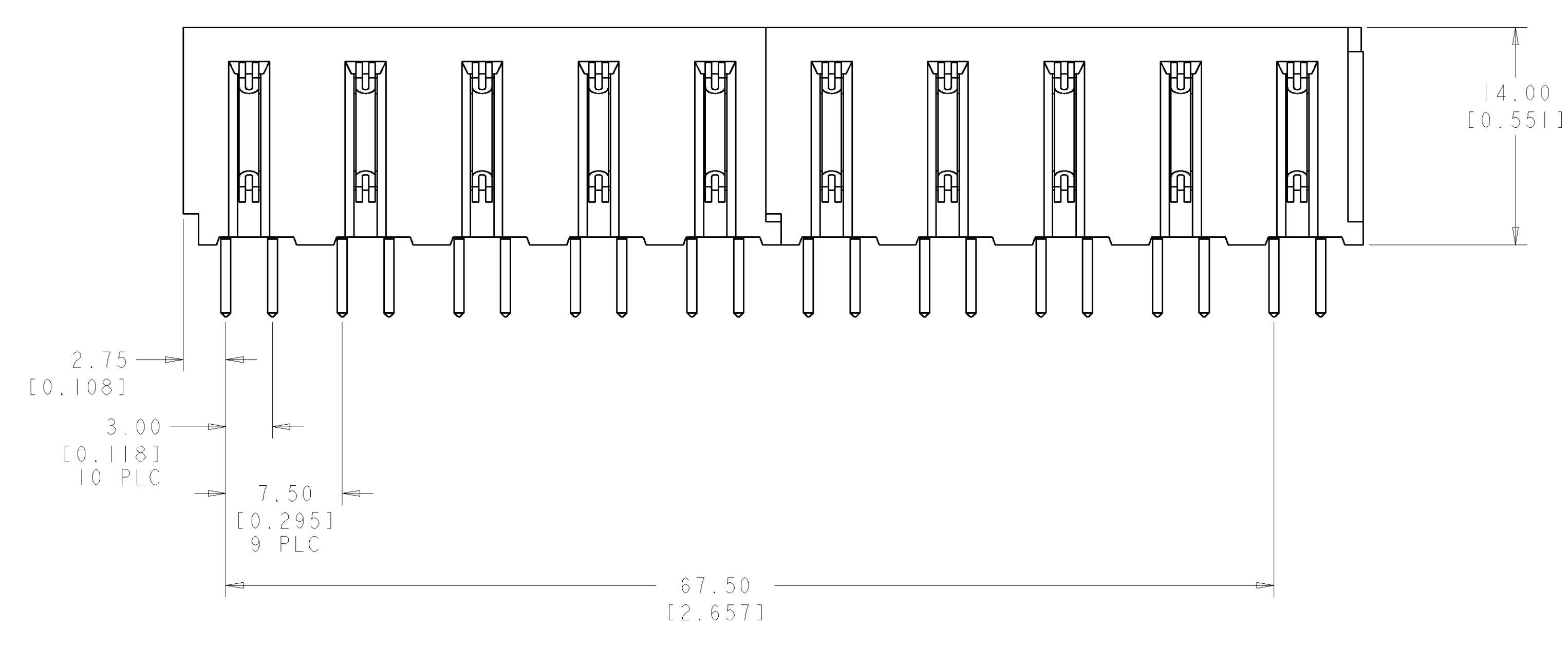


- PART NUMBER CHANGES AND OR DESIGN CHANGES AFFECTING ITEM INTERCHANGEABILITY REQUIRE PRIOR TYCO APPROVAL AND AUTHORIZATION BY REVISION TO THIS DRAWING.
- MATERIAL:
 - INSULATORS - THERMOPLASTIC, GLASS REINFORCED, COLOR: BLACK UL94V-0 FLAMMABILITY RATED.
 - SOLDER SIGNAL PIN: BRASS ALLOY
 - POWER CONTACTS - PHOSPHOR BRONZE ALLOY, COPPER ALLOY
 - CROWN BANDS - BERYLLIUM COPPER ALLOY
 - SIGNAL CONTACTS - BRASS ALLOY

- FINISH:
 - CONTACTS - GOLD PLATE .000030 INCH MIN. THK. OVER NICKEL .000050 INCH MIN. THK.
 - SOLDER TAILS-TIN .00010 INCH MIN. ALL OVER NICKEL .000050 INCH MIN. THK.
- ITEMS PROVIDED TO THIS SPECIFICATION TO BE PERMANENTLY IDENTIFIED PER THE FOLLOWING IDENTIFIER LABEL

TYCO PART NO. DATE CODE YEAR WEEK
 XXXXXXXX-X XXXX 01 06

5. THIS CONNECTOR MATES WITH P/N 1926075-1.

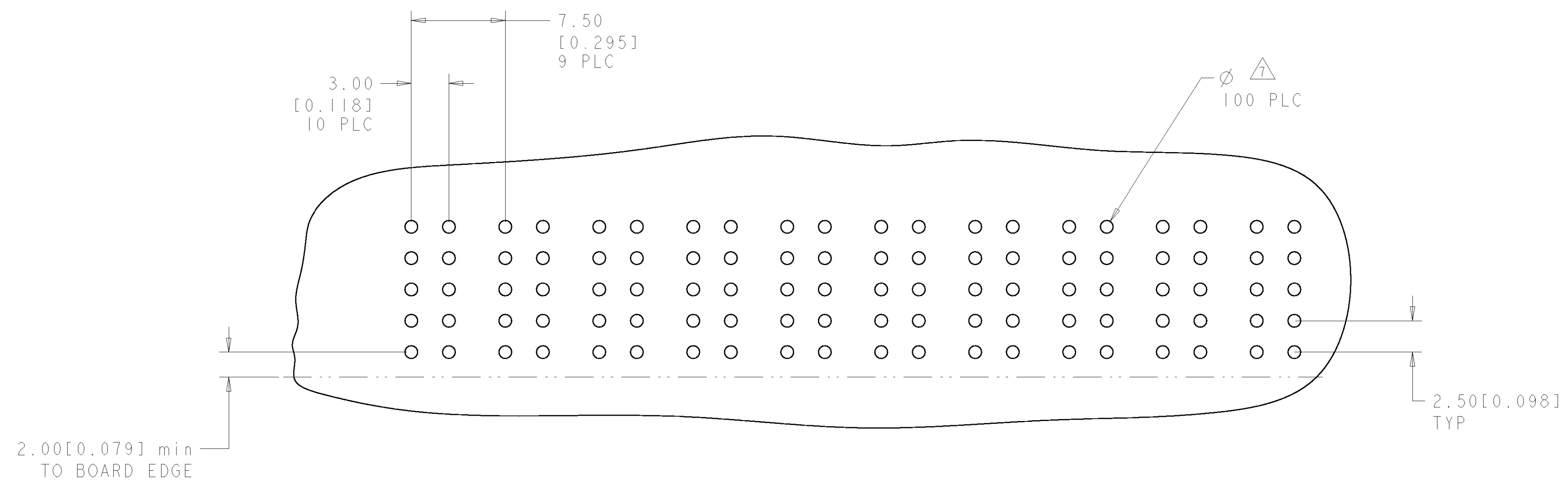


ELCON FLATPAQ

AS SHOWN		1926074-1	
DESCRIPTION		PART NUMBER	
DIMENSIONS: mm [INCHES] TOLERANCES UNLESS OTHERWISE SPECIFIED: 0 PLC ±.5 [0.020] 1 PLC ±.5 [0.020] 2 PLC ±0.25 [0.010] 3 PLC ±. 4 PLC ±. ANGLES ±.5		DWN: R. GRZYBOWSKI 21MAR2006 ENR: S. FLICKINGER 21MAR2006 APVD: S. FLICKINGER 21MAR2006 PRODUCT SPEC: APPLICATION SPEC: WEIGHT: CUSTOMER DRAWING	
MATERIAL: FINISH:		NAME: S. FLICKINGER tyco Electronics Tyco Electronics Harrisburg, PA 17105-3608 TOP ASSEMBLY CONNECTOR PIN RIGHT ANGLE, SOLDER TAILS SIZE: CAGE CODE: DRAWING NO: A100779 C=1926074 RESTRICTED TO:	
SCALE: 4:1		SHEET 1 OF 3 REV A	

LOC	DIST	REVISIONS			
P	LTR	DESCRIPTION	DATE	DRN	APVD
-	-	SEE SHEET 1	-	-	-

CONNECTOR	CATALOG MODULE #	QTY	SIZE NO.	CONTACT QTY	MATING PIN	MAX. CURRENT (PER CONTACT)	CONTACT SPACING	VOLTAGE RATING
PIN	FPI05	6	8	6	1.25 X 7.00 [.049 X .276]	35 amps	7.50 [.2953]	250
	FPI06	4	8	4	1.25 X 7.00 [.049 X .276]	35 amps	7.50 [.2953]	250

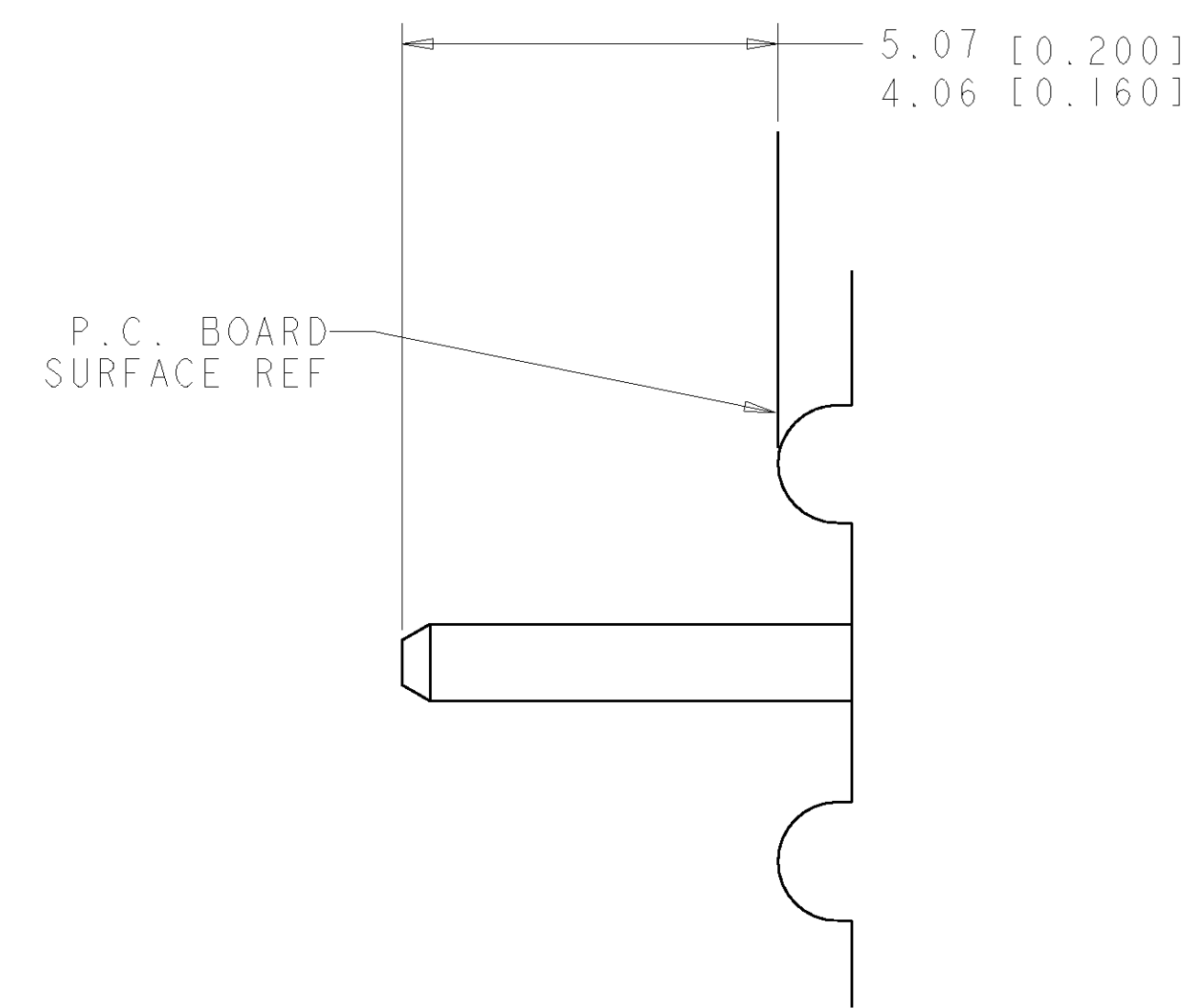


PRINTED CIRCUIT LAYOUT
 COMPONENT SIDE

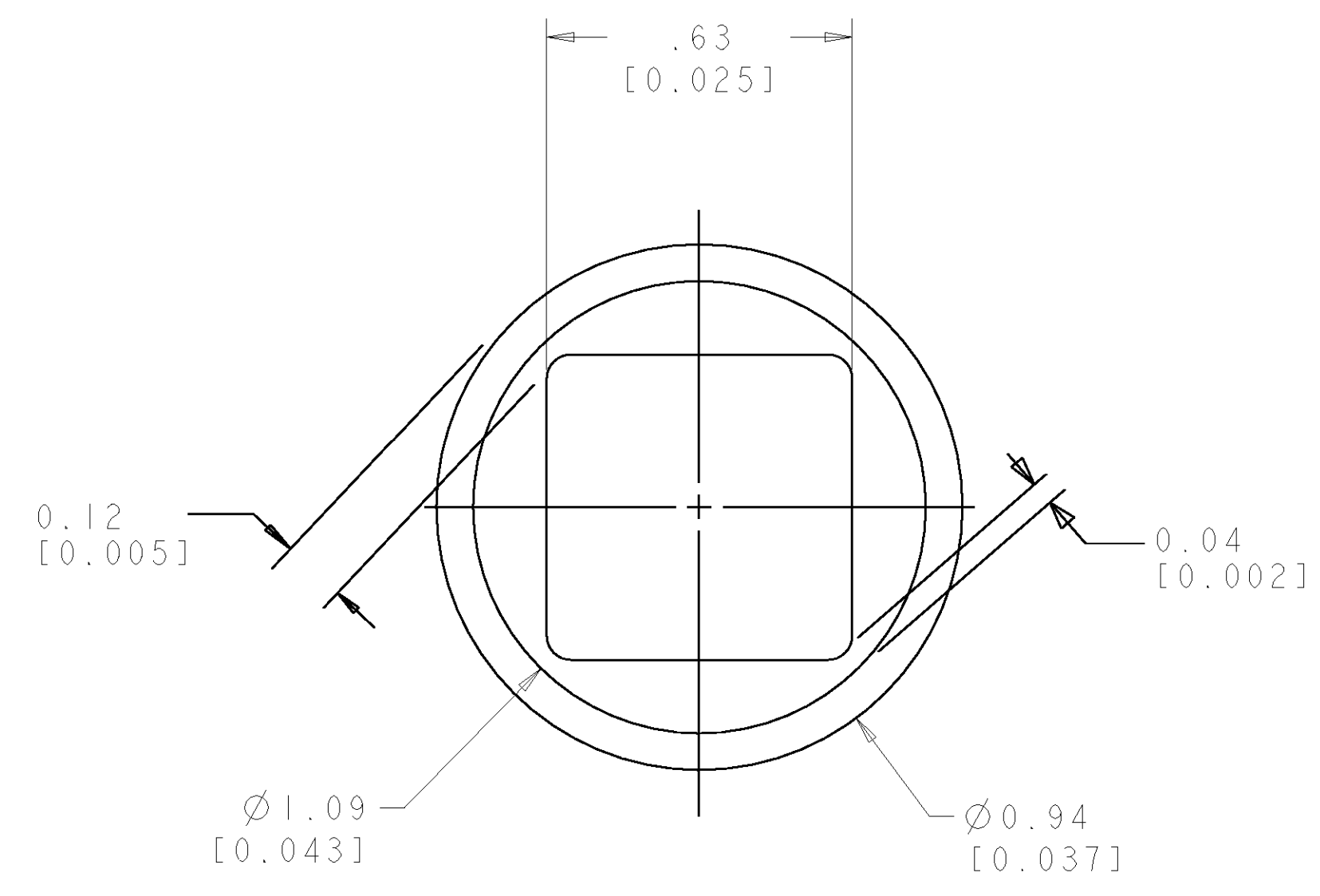
ELCON FLATPAQ

<small>THIS DRAWING IS UNPUBLISHED. RELEASED FOR PUBLICATION. ALL RIGHTS RESERVED. © 2006 BY TYCO ELECTRONICS CORPORATION.</small>		DWN: B. GRZYBOWSKI 21MAR2006 CHK: S. FLICKINGER 21MAR2006 APVD: S. FLICKINGER 21MAR2006	tyco Tyco Electronics Harrisburg, PA 17105-3608
DIMENSIONS: mm [INCHES] TOLERANCES UNLESS OTHERWISE SPECIFIED: 0 PLC ± 1 PLC ±.5 [.020] 2 PLC ±0.25 [.010] 3 PLC ± 4 PLC ± ANGLES ± 5	PRODUCT SPEC APPLICATION SPEC WEIGHT MATERIAL FINISH	NAME: TOP ASSEMBLY CONNECTOR PIN RIGHT ANGLE, SOLDER TAILS SIZE: CAGE CODE: DRAWING NO: A100779C=1926074 RESTRICTED TO:	SCALE: 4:1 SHEET 2 OF 3 REV A
CUSTOMER DRAWING		CUSTOMER DRAWING	

LOC	DIST	REVISIONS					
		P.	LTR	DESCRIPTION	DATE	DWN	APVD
GP	00	-	-	SEE SHEET 1	-	-	-



6. SOLDER TAIL DETAIL
SCALE 10 : 1



△ SOLDER TERMINATION AREA
 SCALE 40:1
 RECOMMENDED PRINTED CIRCUIT HOLE
 SOLDER TAIL
 FINISHED HOLE: Ø1.02 [0.040] ±.008 [0.003]
 DRILLED HOLE: Ø1.15 [0.0453] ±.013 [0.0005]
 COPPER PLATE: .025 [0.0010] MIN. (PER SURFACE)
 TIN PLATE: .008 [0.0003] MIN. (PER SURFACE)

<small>THIS DRAWING IS UNPUBLISHED. RELEASED FOR PUBLICATION. ALL RIGHTS RESERVED. © TYCO ELECTRONICS CORPORATION. THIS DRAWING IS THE PROPERTY OF TYCO ELECTRONICS CORPORATION. IT IS TO BE USED ONLY FOR THE PURPOSES AND ORGANIZATION SPECIFIED BY THE CUSTOMER. IT IS NOT TO BE REPRODUCED OR TRANSMITTED IN ANY FORM OR BY ANY MEANS, ELECTRONIC OR MECHANICAL, INCLUDING PHOTOCOPYING, RECORDING, OR BY ANY INFORMATION STORAGE AND RETRIEVAL SYSTEM, WITHOUT THE WRITTEN PERMISSION OF TYCO ELECTRONICS CORPORATION.</small>		DWN: B. GRZYBOWSKI 21MAR2006 CHK: S. FLICKINGER 21MAR2006 APVD: S. FLICKINGER 21MAR2006	tyco Electronics Tyco Electronics Harrisburg, PA 17105-3608
DIMENSIONS: mm [INCHES]	TOLERANCES UNLESS OTHERWISE SPECIFIED: 0 PLC ±. 1 PLC ±.5 [0.020] 2 PLC ±0.25 [0.010] 3 PLC ±. 4 PLC ±. ANGLES ± 5	PRODUCT SPEC APPLICATION SPEC WEIGHT CUSTOMER DRAWING	NAME: TOP ASSEMBLY CONNECTOR PIN RIGHT ANGLE, SOLDER TAILS SIZE: A 00779 C=1926074 SCALE: 4:1 SHEET 3 OF 3 REV A