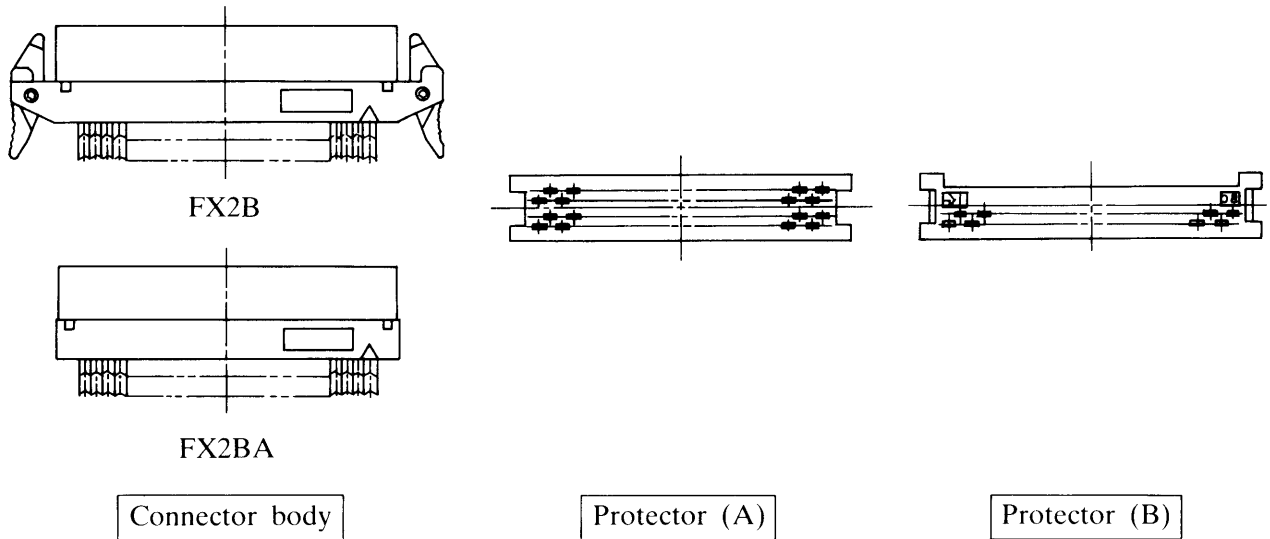


# **FX2B(A)-GPA OPERATION MANUAL**

**HIROSE ELECTRIC CO.,LTD.**

## 1. CONNECTOR COMPONENTS

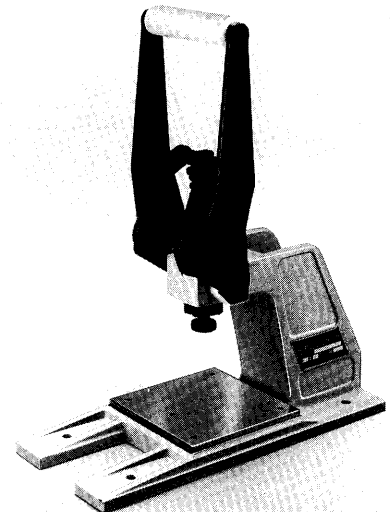


## 2. WIRING TOOL LIST

Jig & Tool	Model Name	HRS No.
Connecting Press	HIFLEX Connecting press HHP502	550-0082-2
Pressure block	FX2B(A)-GPA	550-0212-6
Guide plate		

- This pressure block and guide plate can be used for Hirose connector only.
- We do not guarantee the wiring quality of an assembly using this or any other connecting press.

Connecting Press



### 3. WIRING WORKS

#### (1) Setting Tools

The following tools are required for wiring:

- Connecting press HHP502
- FX2B(A)-GPA

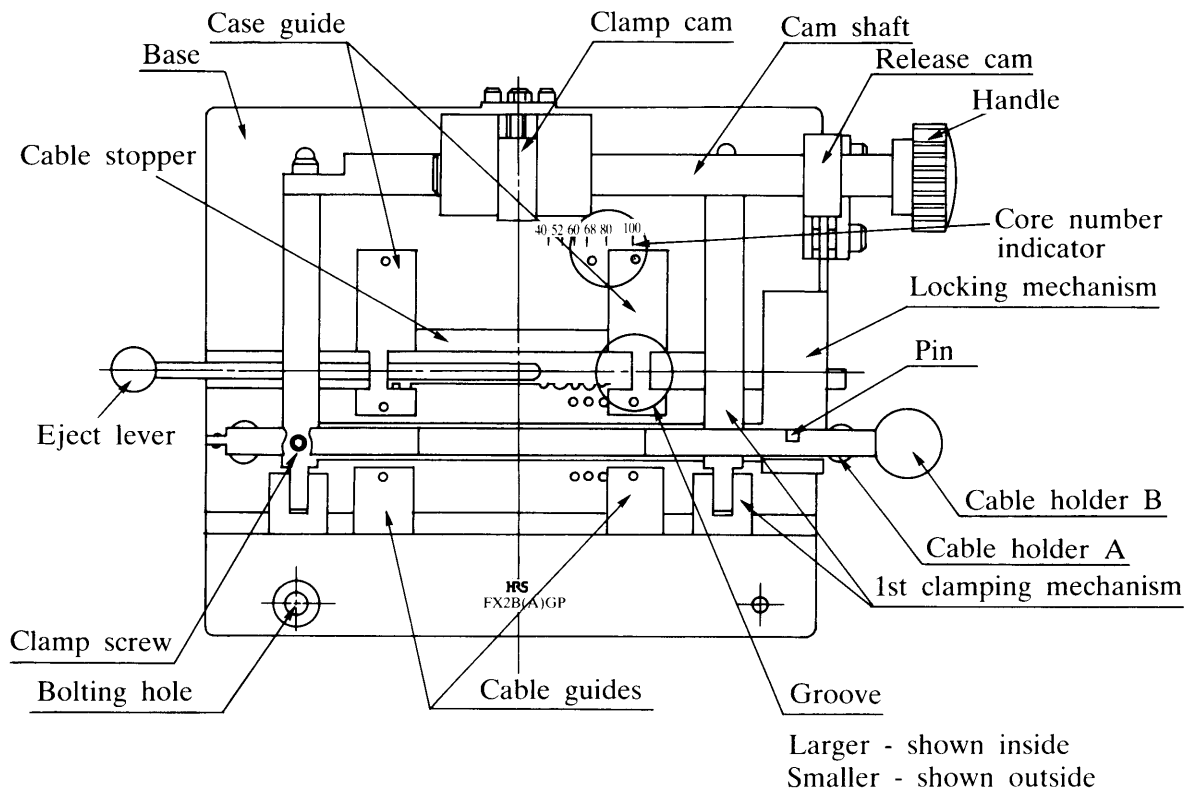
Set the pressure block and guide plate for the FX2B(A)-GPA to the connecting press. Screw the guide block at one front position.

#### (2) Setting Connector and Number of Core Wires

The FX2B(A)-GPA is applicable to 40-, 52-, 60-, 68-, 80- and 100-core FX2B-\*\*S1.27R and FX2BA-\*\*S-1.27R connectors.

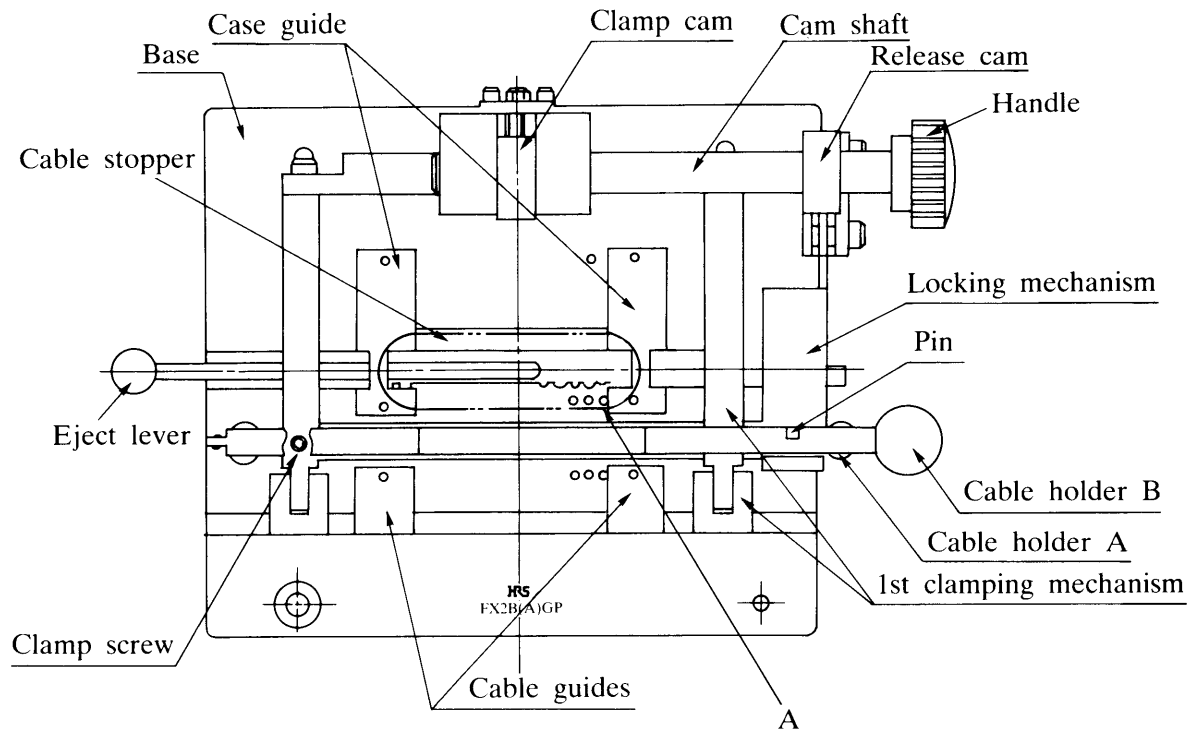
For wiring the FX2B connector, set the larger groove of the case guide inside. For wiring the FX2BA connector, set the smaller groove inside.

For setting the number of core wires, adjust the left edge of the right case guide to the marking position of the proper number. Also set the cable guide to be in contact with the case guide end.



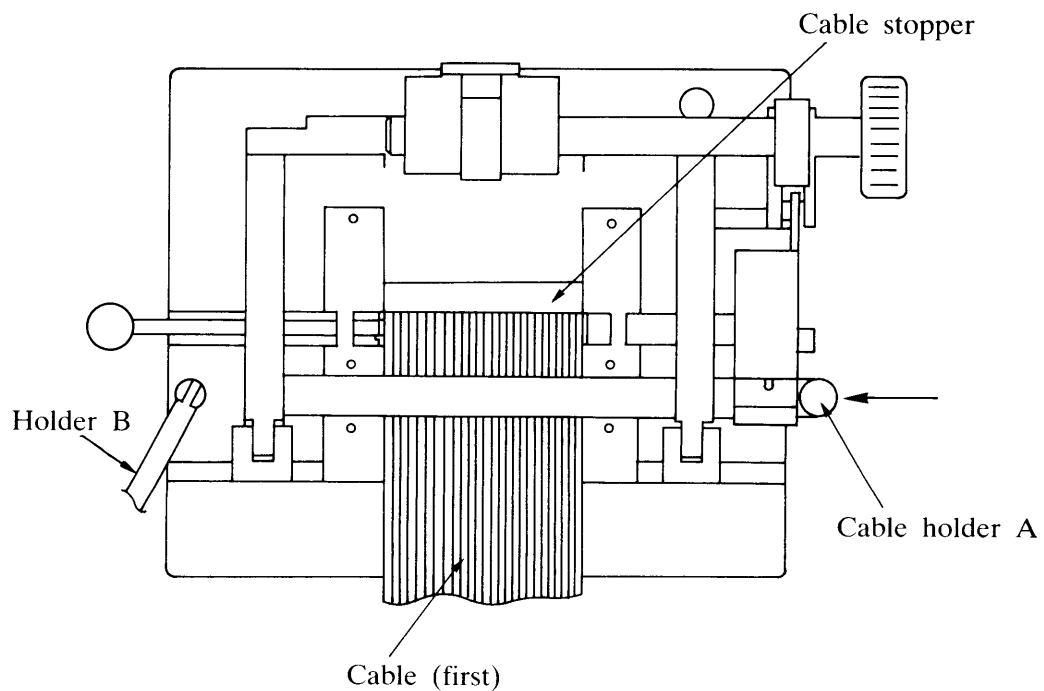
(3) Wiring Procedures

a. Setting protector B



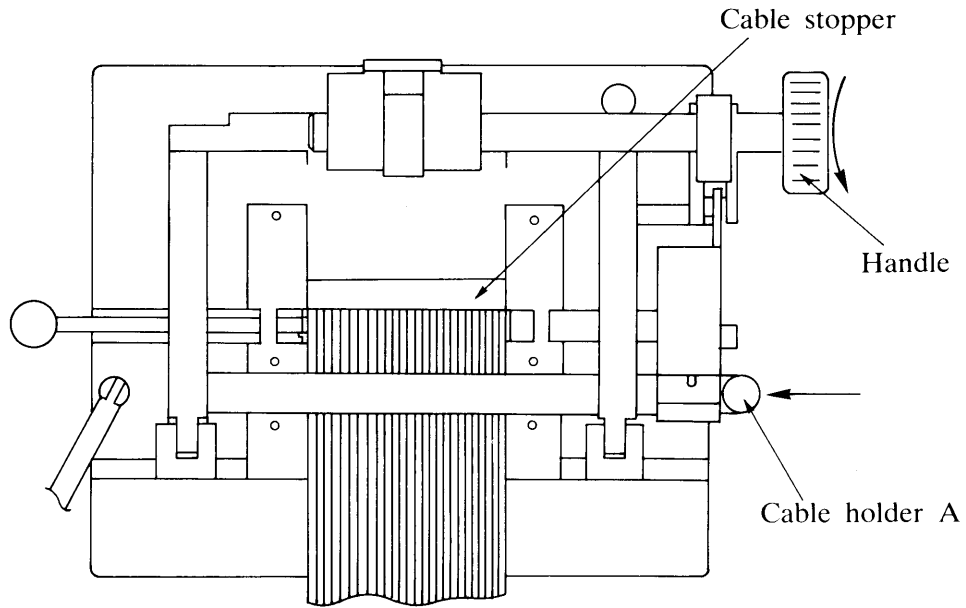
b. Setting first cable

Set the first cable so that its end is butted against the cable stopper, and place the cable holder A over the cable.



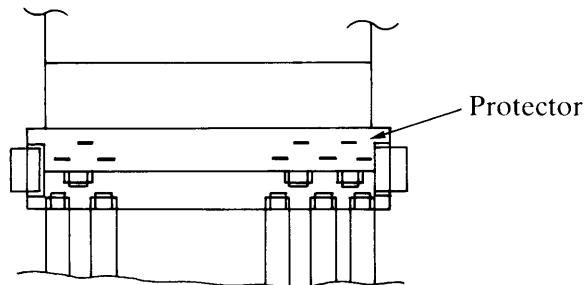
c. Clamping first cable

Rotate the handle toward the front until it is brought into contact with the stopper in order to clamp the cable holder A.



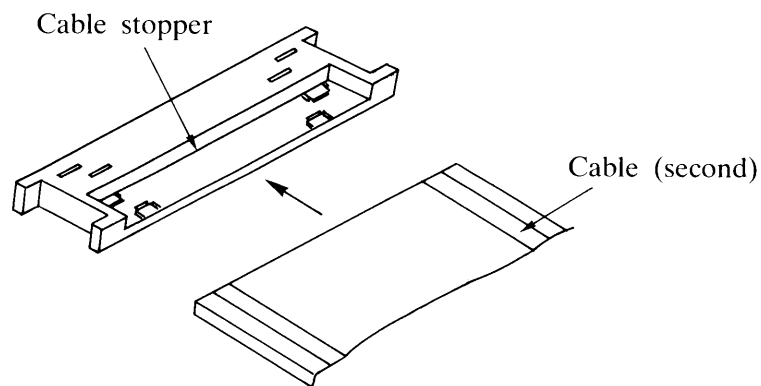
d. Setting protector A

Set protector A onto protector B. (Set it in the proper direction as shown in the figure below.)



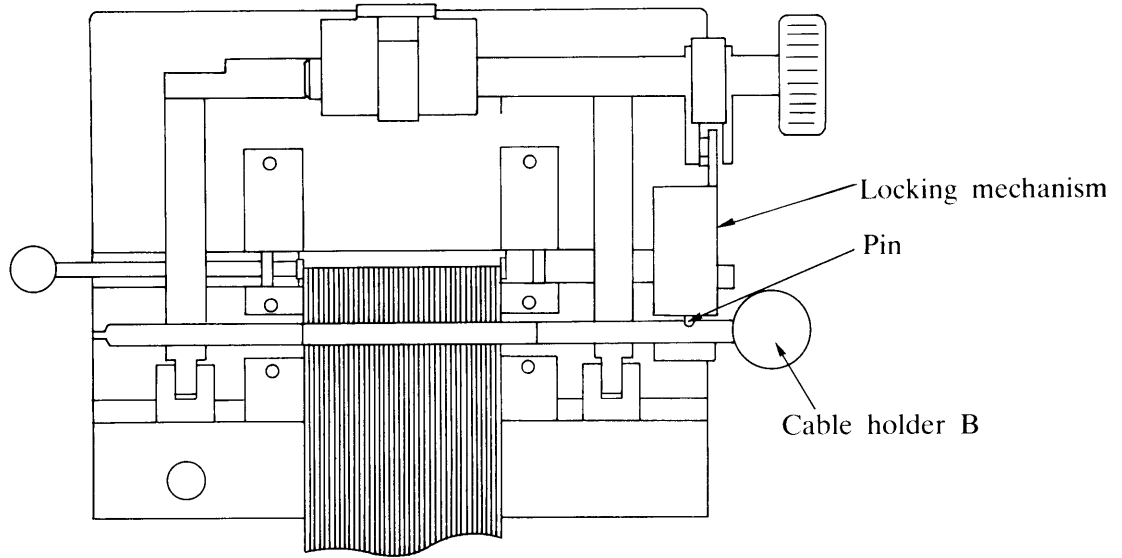
e. Setting second cable

Set the second cable so that its end is butted against the cable stopper of protector A.



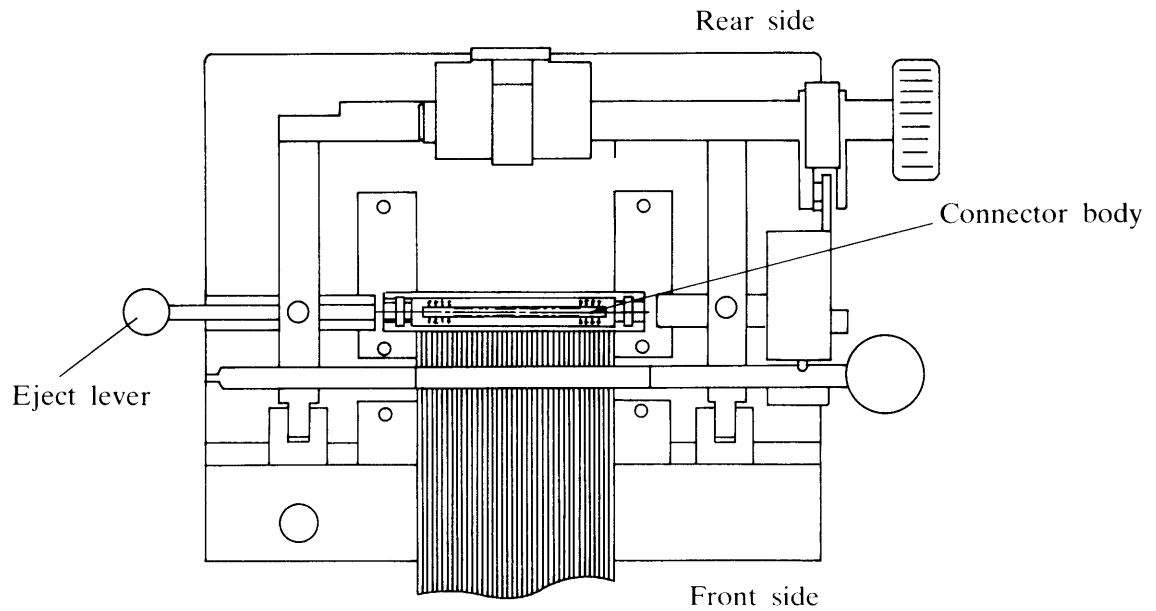
f. Clamping second cable

Press the cable holder B until the pin is engaged and a click sound is heard.



g. Setting connector body

Set the connector body so that the longer pins are on the rear side and they are inserted into the pin holes on the protector A.

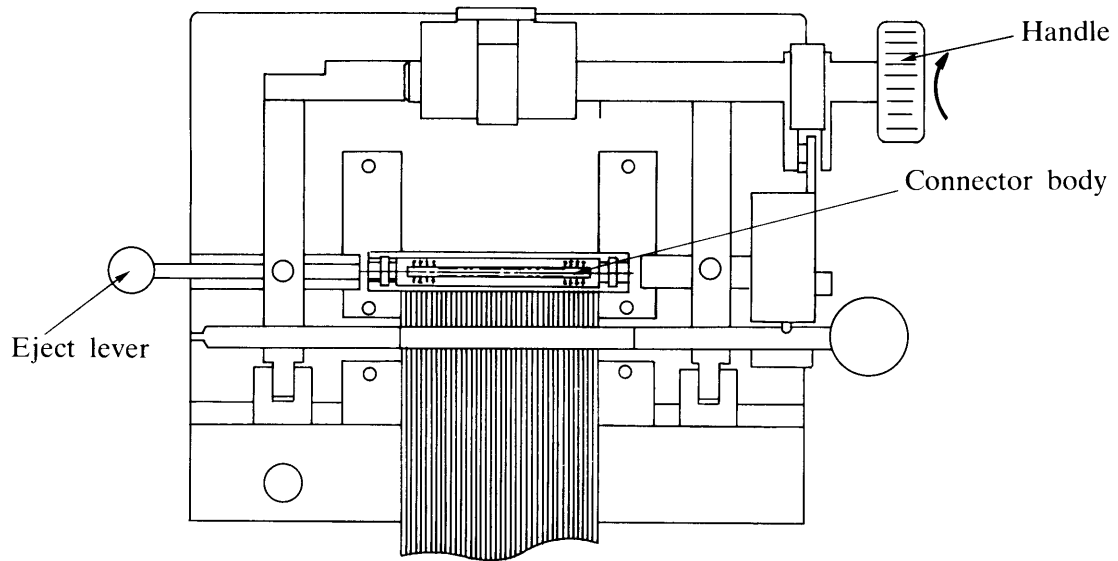


h. Pressing

Press down the handle of the hand press until the ratchet is disengaged.

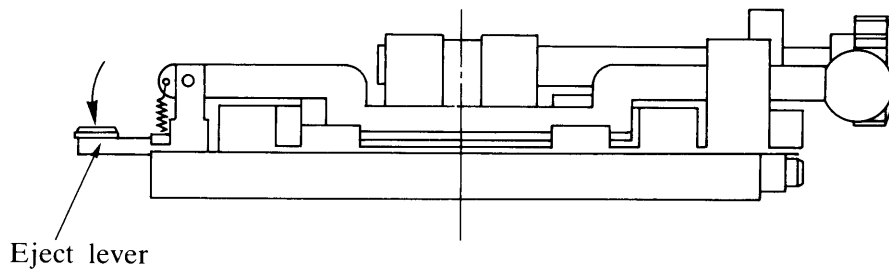
i. Releasing clamp

Rotate the handle toward the rear. The clamps of the cable holders A and B are released simultaneously.



j. Taking out connector

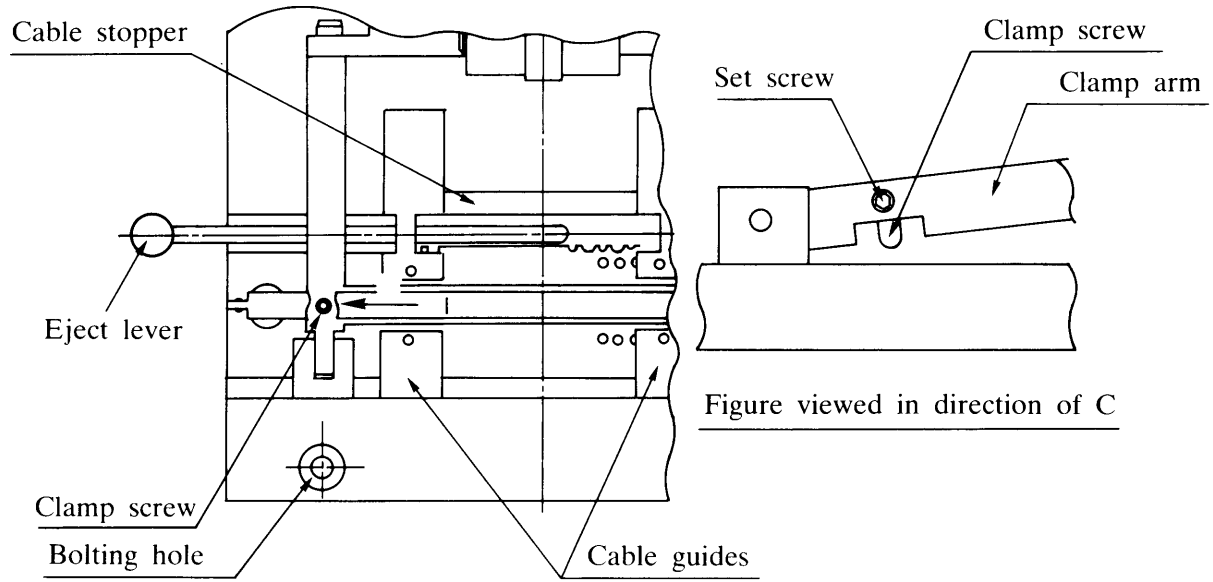
Remove the cable holders A and B, and press the eject lever to take out the connector.



#### 4. JIG ADJUSTMENT

##### (1) Adjustment of first cable clamping force

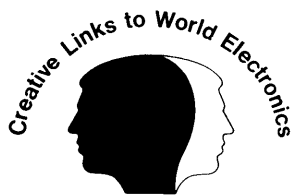
- Loosen the set screw.
- Rotate the clamp screw to adjust the clamping force.
- When the clamping force is properly adjusted, tighten the set screw.



##### (2) Adjustment of second cable clamping force

Replace the rubber of the cable holder B to adjust the clamping force.





**HRS**

---

## **HIROSE ELECTRIC CO.,LTD.**

5-23, OSAKI 5-CHOME, SHINAGAWA-KU, TOKYO 141, JAPAN  
TELEX: J2468237 HRSELE TELE FAX: 03-3493-2933  
CABLE: BESELECONHIROSE TOKYO, PHONE: 03-3491-9741

---