

## IRIXW

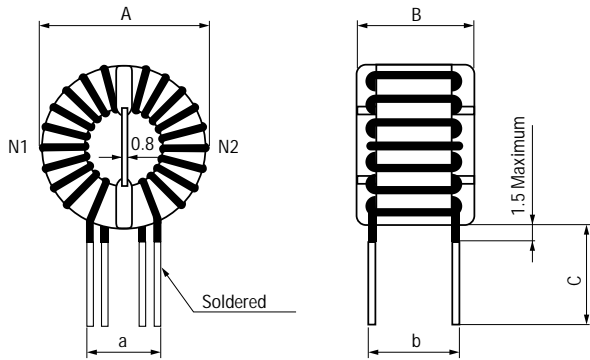
u ; MZHE V S J W J ERWHT I G M G E X M S R W

- Inductances up to 50 mH
- Rated Current Corati 27



Type	Dimension Code (See Table 1)	Rated Current (A)	Minimum Inductance (mH)
SCF	Blank	0x = x A (e.g., 02 = 2 A)	xx00 = xx mH (e.g., 1300 = 13 mH)
	20	xx = xx A (e.g., 10 = 10 A)	xx0 = x.x mH (e.g., 650 = 6.5 mH)
	25		
	27		

(M Q I R W M S R W i 1 M P P M Q I X I V W



1 S Y R X M R K 4 M X G L

N1

N2

7 T I G M □ G E X M S R W

\* V I U Y I R G ] ' L E V E G X I V M W X M G W

2 S X I W S R 9 W I

7 L I P J 0 M J I

- 9 W [ M X L Q S R X U X L T V S H M G W E J X E V X S V E K M S H Q S R X S V R K G / R □ M Q V S H I V E F M P M X before use.

7 X S V E K I ' S R H M X M S R

- Avoid storage in high temperature and high humidity environment, as such condition may deteriorate the solderability of external electrode.
- Avoid storage in atmosphere containing toxic gases or acid (e.g., sulphur and chlorine), as such gas may deteriorate the solderability of external electrode.
- % Z M X S V E E W X V S E K R I X M G W Y G G

/)1)8 )PIGXVSRMG 'SVTSVEXMSR 7EPIW 3J $\alpha$  GIW

\*SV E GSQTPIXI PMWX SJ SYV KPSFEP WEPIW SJ $\alpha$  GIW TPIEWI ZMWMX

(MWGPQMIV

%PP TVSHYGX WTIGM $\alpha$  GEXMSRW WXEXIQIRXW MRJSVQEXMSR ERH HEXE GSPPIGXMZIP] XLI p  
checking and verifying the extent to which the Information contained in this publication is applicable to an order at the time the order is placed.

All Information given herein is believed to be accurate and reliable, but it is presented without guarantee, warranty, or responsibility of any kind, expressed or in

7XEXIQIRXW SJ WYMXEFMPMX] JSV GIVXEMR ETPMGEXMSRW EVI FEWIH SR /)1)8 )PIGXVSRMGW