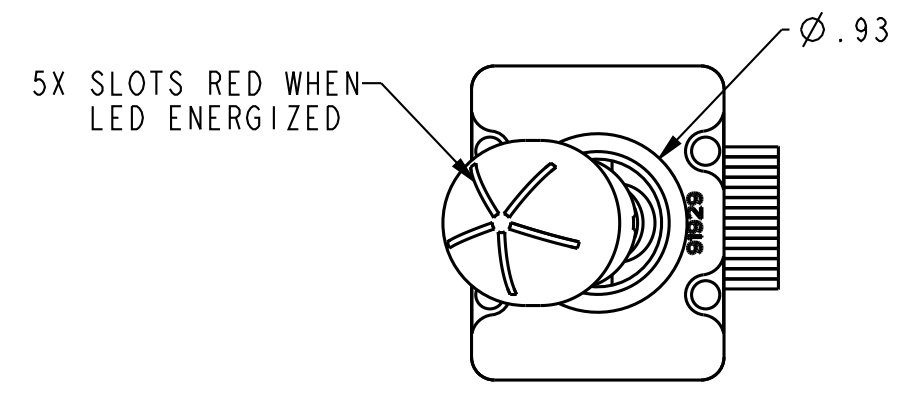
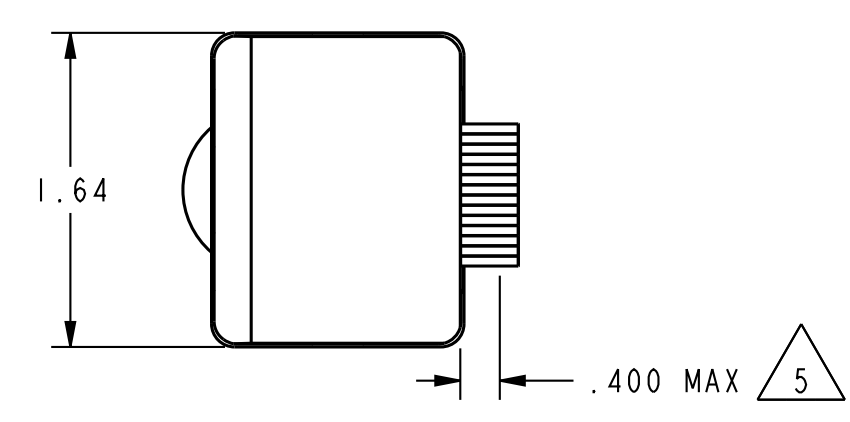
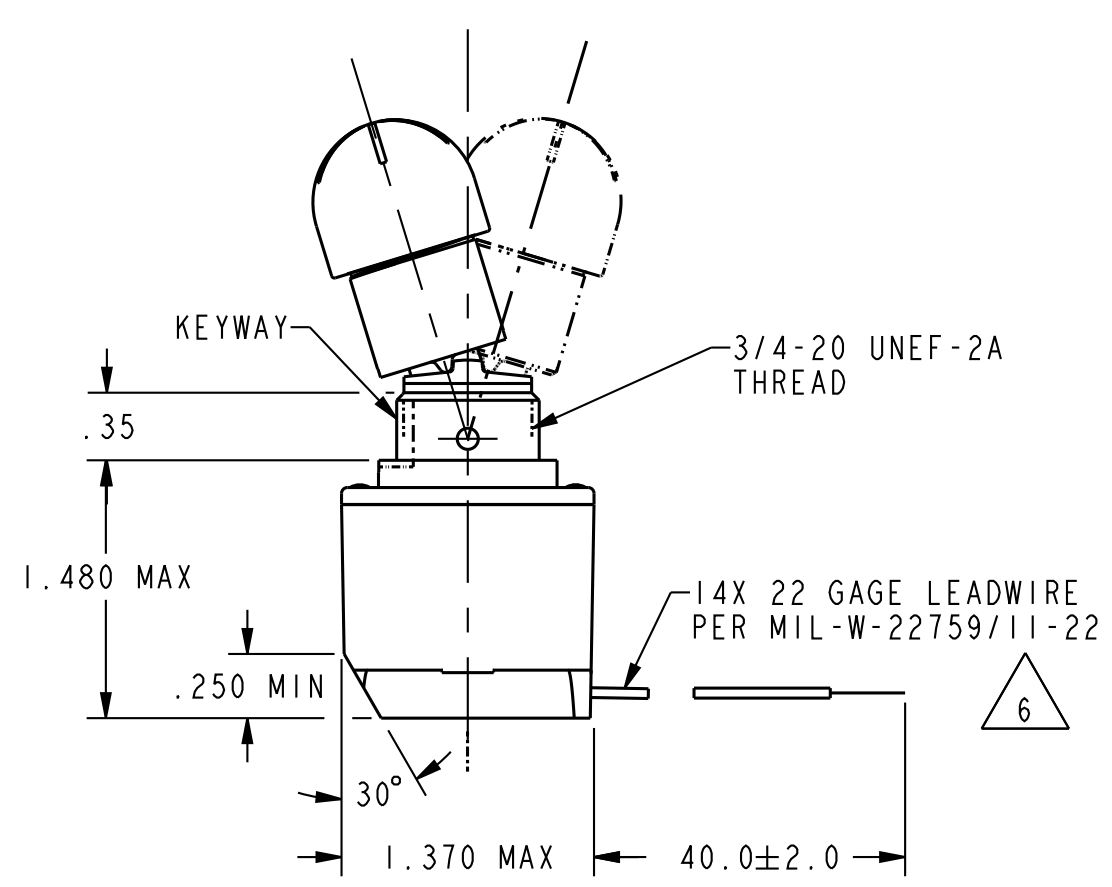
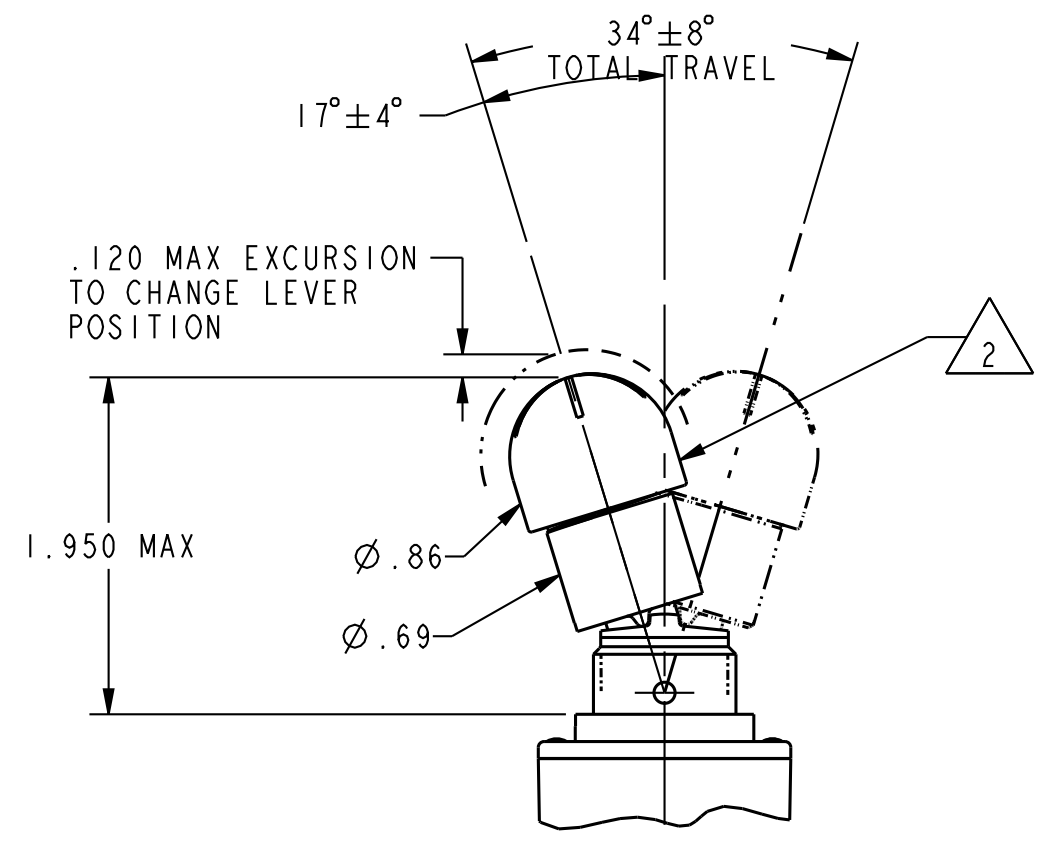


TABULATION	
PART NO.	
4TL839-3D	

REVISIONS HISTORY				
REV	ECO	DESCRIPTION	DATE	APPROVED
A	91117	RELEASED	2012-07-13	D. KOSHT
B	0114717	MATERIAL FOR WASHER SPEC 304SST WAS 302SST	2014-10-27	M. BROSE

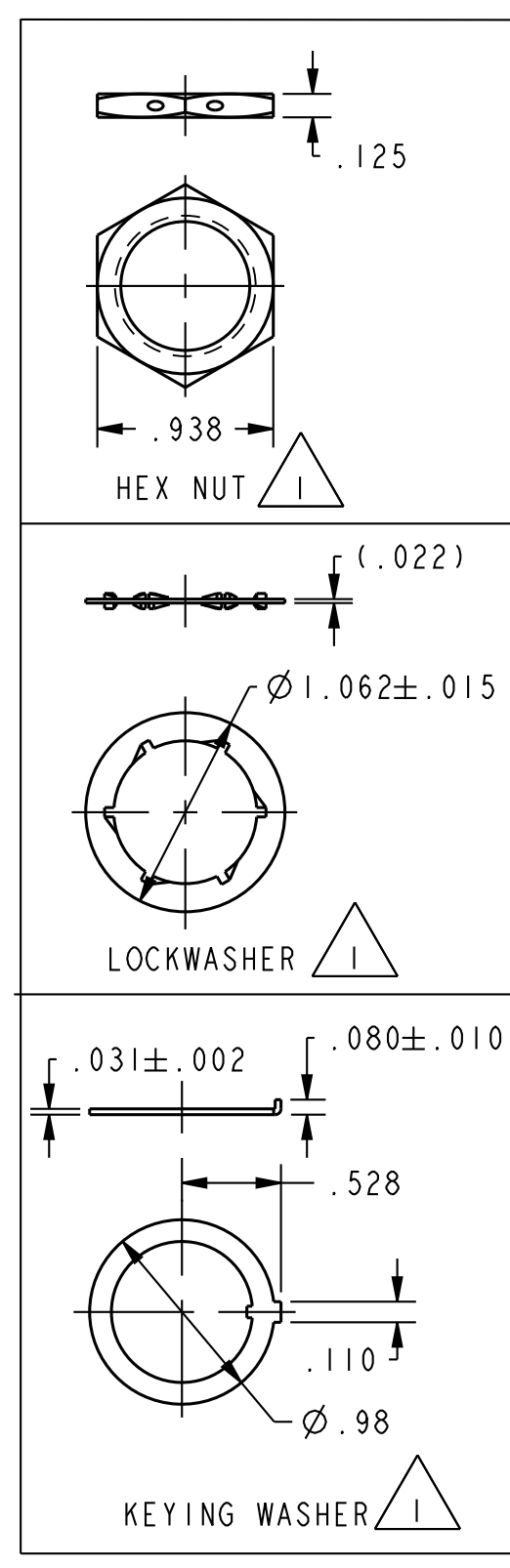


CATALOG LISTING	CIRCUIT MADE WITH TOGGLE LEVER IN			ELECTRICAL DATA
	KEYWAY SIDE	CENTER	OPPOSITE KEYWAY	
4TL837-3D	ON	NONE	ON	4.1mA RESISTIVE, 3.5-14.0 VDC 28VDC 7 AMPS RESISTIVE 4 AMPS INDUCTIVE 2 AMPS MOTOR



MATERIAL AND FINISH		
PART	MATERIAL (COLOR)	FINISH
LENS	POLYCARBONATE/09-52370 (RED)	MATTE
BUTTON	30% GLASS FILLED, FLAME RETARDANT PBT/96-00259 (BLACK)	MATTE
LEVER/INSERT	416SST	MATTE
BUSHING	303SST	AS MACHINED
HARDWARE		
WASHER-SPEC	304SST	DULL COLD ROLLED
NUT	303SST	AS MACHINED
WASHER-LOCK	410SST	AS BLANKED

CIRCUIT IDENTIFICATION CHART			
LEVER ON KEYWAY SIDE		LEVER ON OPPOSITE SIDE	
WHT	WHT/BLK	BLK	WHT
GREY	WHT/BRN	BLU	GREY
GRN	WHT/ORG	ORG	GRN
VIO	WHT/YLW	YLW	VIO
WHT/RED (-)	LED	RED (+)	WHT/RED (-)



- 1. 1X EACH FURNISHED UNASSEMBLED.
- 2. LEVER LOCKED OUT OF CENTER POSITION.
- 3. 28 VOLTS T-1 3/4 LED FURNISHED IN LEVER KNOB. HONEYWELL LED REPLACEMENT P/N 50039267-001
- 4. CATALOG LISTING, DATE CODE AND CIRCUITRY MARKED ON SIDE OF SWITCH.
- 5. EPOXY BUILD UP ALLOWED ON WIRES ONLY.
- 6. CIRCUIT IDENTIFICATION PER DIAGRAM AND INDIVIDUAL WIRE INSULATION COLOR.
- 7. COMPLETE ASSEMBLIES SHALL BE INSPECTED PER APPLICABLE HONEYWELL INSPECTION CONTROL PLAN (ATP).
- 8. SWITCH MATERIALS EXPOSED IN FRONT OF PANEL HAVE COLOR AND FINISH AS SHOWN ON CHART.
- 9. GOLD PLATED CONTACTS.
- 10. WEIGHT : 10.5 OUNCE MAX.
- 11. PRODUCT PERFORMANCE IN ACCORDANCE WITH SPECIFICATION: 714007-001

NOTES:

INSTALLATION DRAWING

<table border="1"> <tr> <th>NEXT ASSY</th> <th>USED ON</th> </tr> <tr> <td></td> <td></td> </tr> <tr> <td colspan="2" style="text-align: center;">FIRST APPLICATION</td> </tr> <tr> <td colspan="2" style="text-align: center;"> <b>HONEYWELL CONFIDENTIAL</b>                      THIS DOCUMENT CONTAINS PROPRIETARY INFORMATION AND SUCH INFORMATION MAY NOT BE DISCLOSED TO OTHERS FOR ANY PURPOSE, NOR USED FOR MANUFACTURING PURPOSES WITHOUT WRITTEN PERMISSION FROM HONEYWELL                 </td> </tr> </table>	NEXT ASSY	USED ON			FIRST APPLICATION		<b>HONEYWELL CONFIDENTIAL</b> THIS DOCUMENT CONTAINS PROPRIETARY INFORMATION AND SUCH INFORMATION MAY NOT BE DISCLOSED TO OTHERS FOR ANY PURPOSE, NOR USED FOR MANUFACTURING PURPOSES WITHOUT WRITTEN PERMISSION FROM HONEYWELL		<table border="1"> <tr> <th>MATERIAL</th> <td></td> </tr> <tr> <th>FINISH</th> <td></td> </tr> <tr> <td colspan="2">APPLICABLE DOCUMENTS: ASME Y14.100-2004 ASME Y14.5M-1994</td> </tr> </table>	MATERIAL		FINISH		APPLICABLE DOCUMENTS: ASME Y14.100-2004 ASME Y14.5M-1994		<table border="1"> <tr> <td>UNLESS OTHERWISE SPECIFIED DIMENSIONS ARE IN INCHES</td> <td>RELEASE DATE: 07/13/12</td> </tr> <tr> <td>DECIMAL TOL 1 PLACE ... ±.030</td> <td>DESIGNER: P.KUPPUSWAMY 07/13/12</td> </tr> <tr> <td>2 PLACE ... ±.010</td> <td>ENGINEER: D.KOSHT 07/13/12</td> </tr> <tr> <td>3 PLACE ... ±.005</td> <td>QA ENGR: J.BALDAZZI 07/13/12</td> </tr> <tr> <td>ANGULAR TOL - ±1° CHAMFER - ±.5°</td> <td>CHECKER: R.BUNGE 07/13/12</td> </tr> <tr> <td>THIRD ANGLE PROJECTION</td> <td>OPTIONAL APPROVALS:</td> </tr> <tr> <td></td> <td>MFR ENGR: B.EISENBISE 07/13/12</td> </tr> </table>	UNLESS OTHERWISE SPECIFIED DIMENSIONS ARE IN INCHES	RELEASE DATE: 07/13/12	DECIMAL TOL 1 PLACE ... ±.030	DESIGNER: P.KUPPUSWAMY 07/13/12	2 PLACE ... ±.010	ENGINEER: D.KOSHT 07/13/12	3 PLACE ... ±.005	QA ENGR: J.BALDAZZI 07/13/12	ANGULAR TOL - ±1° CHAMFER - ±.5°	CHECKER: R.BUNGE 07/13/12	THIRD ANGLE PROJECTION	OPTIONAL APPROVALS:		MFR ENGR: B.EISENBISE 07/13/12	<table border="1"> <tr> <td colspan="2" style="text-align: center;"><b>Honeywell</b></td> </tr> <tr> <td colspan="2" style="text-align: center;">TITLE SWITCH, TOGGLE</td> </tr> <tr> <td>SIZE <b>D</b></td> <td>CAGE <b>91929</b></td> </tr> <tr> <td>SCALE 1:1</td> <td>DWG NO 4TL839-3D</td> </tr> <tr> <td>SHEET 1 of 1</td> <td>REV B</td> </tr> </table>	<b>Honeywell</b>		TITLE SWITCH, TOGGLE		SIZE <b>D</b>	CAGE <b>91929</b>	SCALE 1:1	DWG NO 4TL839-3D	SHEET 1 of 1	REV B
NEXT ASSY	USED ON																																								
FIRST APPLICATION																																									
<b>HONEYWELL CONFIDENTIAL</b> THIS DOCUMENT CONTAINS PROPRIETARY INFORMATION AND SUCH INFORMATION MAY NOT BE DISCLOSED TO OTHERS FOR ANY PURPOSE, NOR USED FOR MANUFACTURING PURPOSES WITHOUT WRITTEN PERMISSION FROM HONEYWELL																																									
MATERIAL																																									
FINISH																																									
APPLICABLE DOCUMENTS: ASME Y14.100-2004 ASME Y14.5M-1994																																									
UNLESS OTHERWISE SPECIFIED DIMENSIONS ARE IN INCHES	RELEASE DATE: 07/13/12																																								
DECIMAL TOL 1 PLACE ... ±.030	DESIGNER: P.KUPPUSWAMY 07/13/12																																								
2 PLACE ... ±.010	ENGINEER: D.KOSHT 07/13/12																																								
3 PLACE ... ±.005	QA ENGR: J.BALDAZZI 07/13/12																																								
ANGULAR TOL - ±1° CHAMFER - ±.5°	CHECKER: R.BUNGE 07/13/12																																								
THIRD ANGLE PROJECTION	OPTIONAL APPROVALS:																																								
	MFR ENGR: B.EISENBISE 07/13/12																																								
<b>Honeywell</b>																																									
TITLE SWITCH, TOGGLE																																									
SIZE <b>D</b>	CAGE <b>91929</b>																																								
SCALE 1:1	DWG NO 4TL839-3D																																								
SHEET 1 of 1	REV B																																								

COMPUTER GENERATED DRAWING-PROE