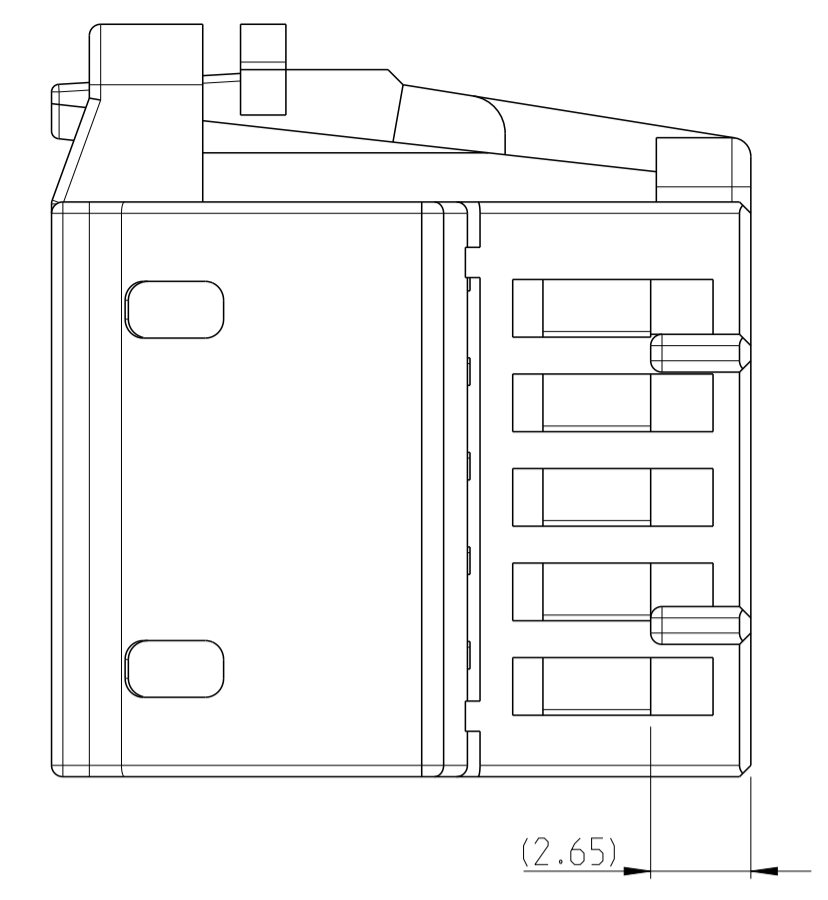
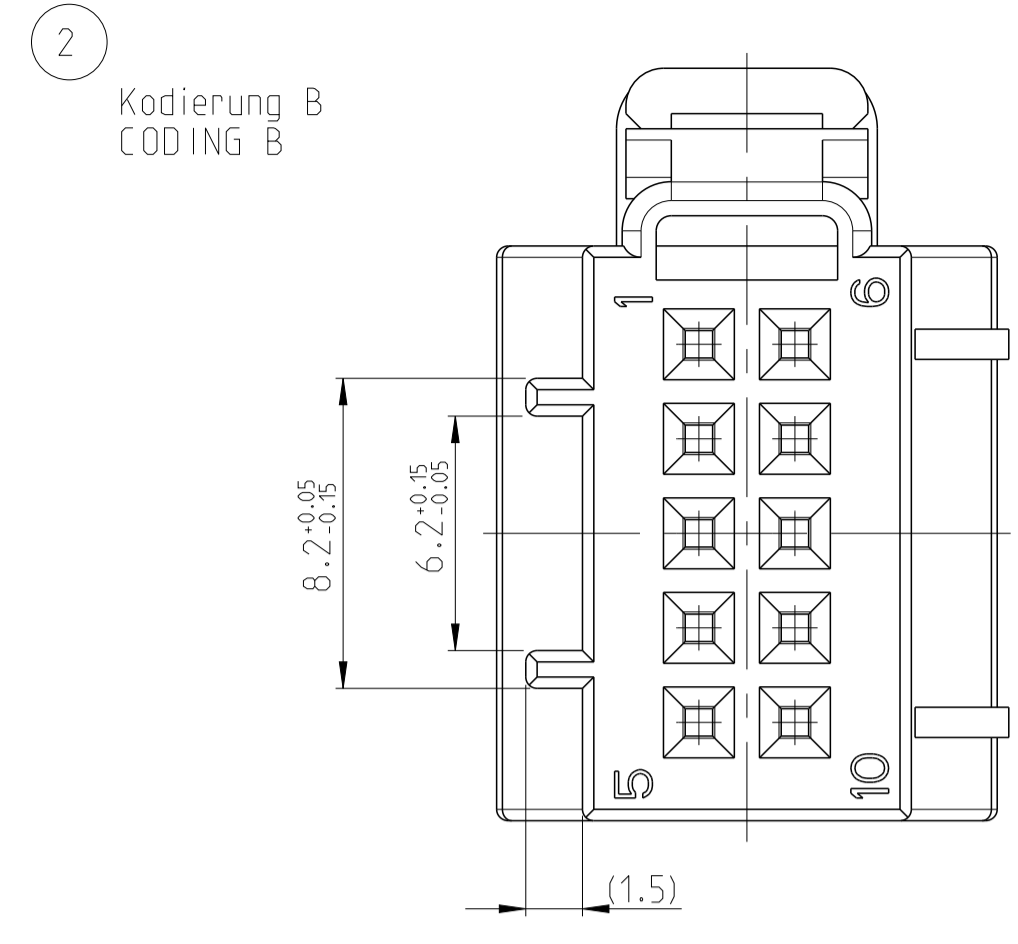
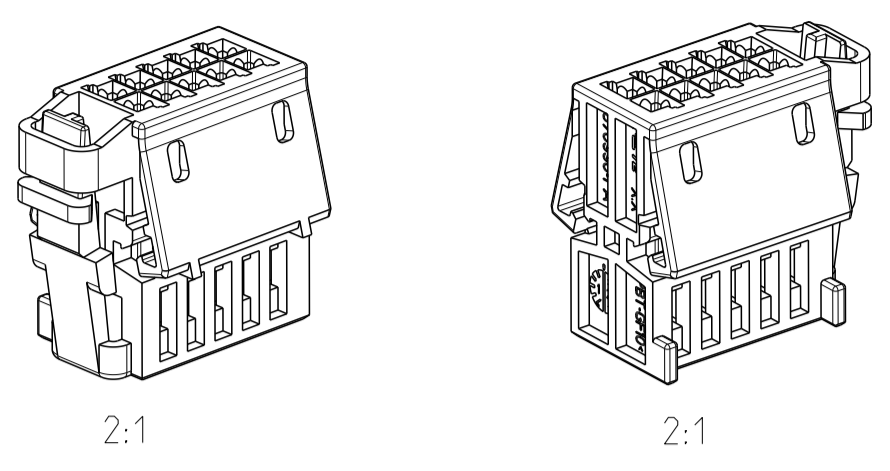
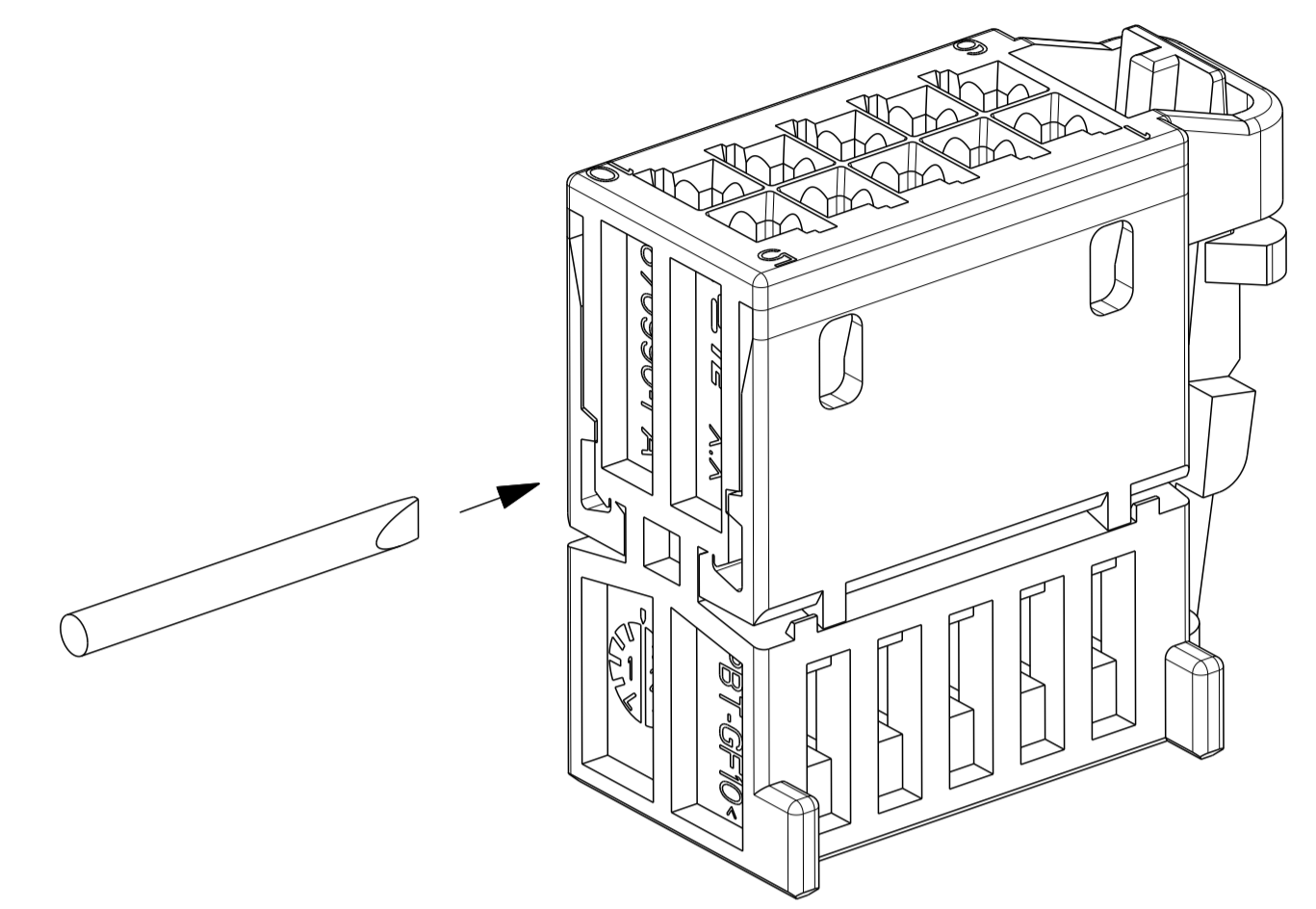


LOC	DIST	REVISIONS			
A1		REV.	DATE	BY	CHKD
A		New Drawing	17AUG2012	MR	RBT
A1		SLOTS IN THE FLIP SEC. LOCK ADDED	27MAR2013	MR	RBT

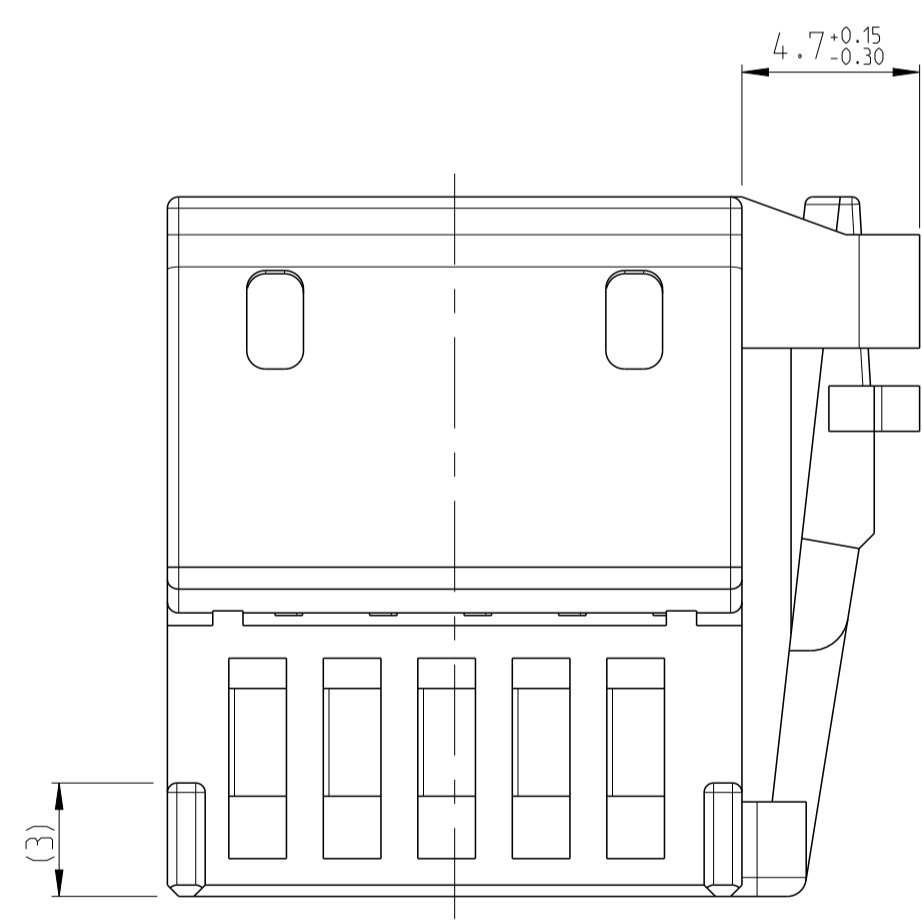
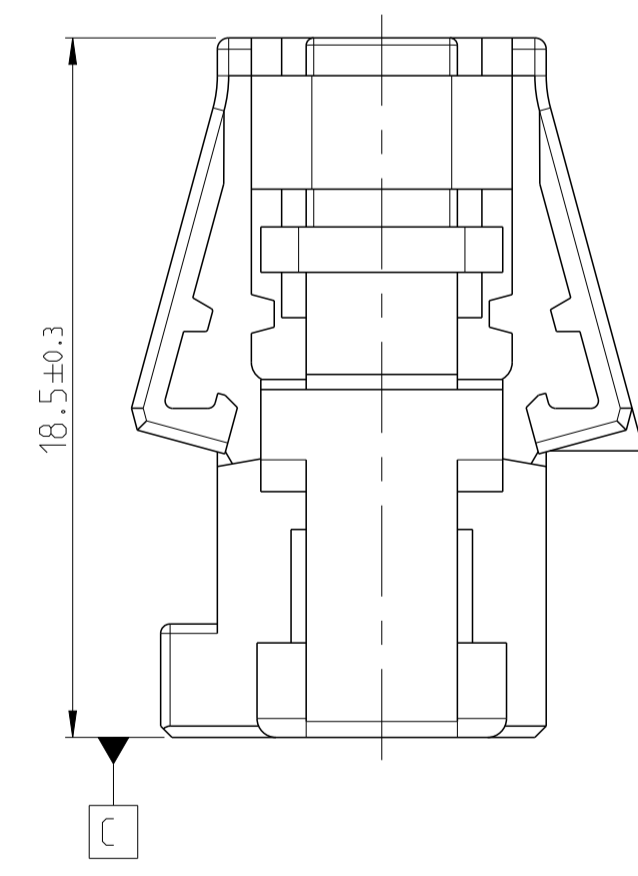
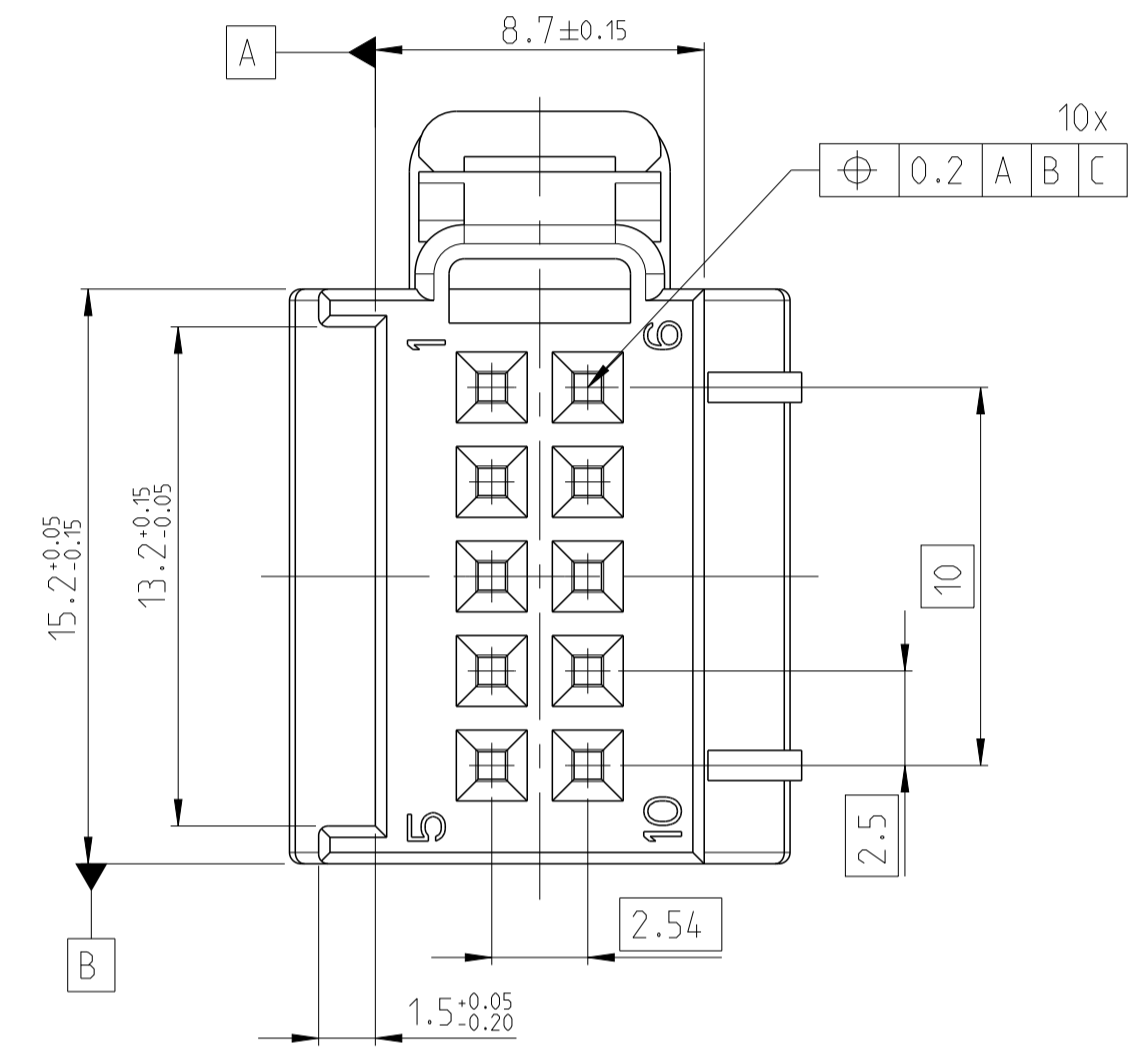


Deckel geschlossen dargestellt
COVER CLOSED PICTURED



OPENING GUIDE: TO OPEN THE LOCKED RETAINER, USE A Ø 1x0.18MM SCREWDRIVER AND PUSH IT IN THE SHOWN OPENING.
Oeffnungsanleitung: Zum Oeffnen des verrasteten Deckels wird ein Ø1x0.18mm Schraubendreher in die gezeigte Oeffnung gedrecks.

1
Kodierung A
CODING A



Bemerkungen

- 1 Passende Kontakte 1355717, 928999, 963715
- 2 Passende Stiftwanne siehe Zeichnung-Nr. 969587
- 3 Materialentnahme optional in Ausfuehrung und Lage nach Wahl des Herstellers moeglich
- 4 Verpackung: Schuetttgut in Karton

NOTES

- 1 SUITABLE CONTACTS 1355717, 928999, 963715
- 2 SUITABLE PIN HEADER SEE DRAWING NO. 969587
- 3 MATERIAL REMOVAL OPTIONAL IN EXECUTION AND POSITION ACC. TO MANUFACTURER POSSIBLE
- 4 PACKAGING: LOOSE PIECE IN CARDBOX

PART NO	REV.	COD.	MATERIAL	COLOUR	WEIGHT [g]	POS.
1-1670990-2	A	B	PBT-GF10	GREY/grau	2.04	2
1-1670990-1	A	A	PBT-GF10	BLACK/schwarz	2.04	1

THIS DRAWING IS A CONTROLLED DOCUMENT. DWN: Madhesh R. 17AUG2012. CHK: Rudhesh B. T. 31AUG2012.

DIMENSIONS: MASSENHEITEN: mm. TOLERANCES UNLESS OTHERWISE SPECIFIED: ALL DIMENSIONS.

0	PLC	±
1	PLC	±
2	PLC	±
3	PLC	±
4	PLC	±

MATERIAL: SEE TABLE. FINISH: SEE TABLE.

Customer Drawing /KUNDENZEICHNUNG. SCALE: 5:1. SHEET: 1 OF 1. REV: A1.

STE TE Connectivity

10POS. MQS REC. HOUSING
10pol. MQS Buchsengehaeuse

SIZE: A1. CAGE CODE: 00779. DRAWING NO: 1670990. RESTRICTED TO: NUR FÜR: -