

DETAILS

Product Number	CN12161_LENA-M
Family	Lena
Type	RefPack
Color	metal
Diameter	111 mm
Height	86,1 mm
Style	round
Optic Material	
Holder Material	
Fastening	
Status	production ready
ROHS Compliant	Yes
Date Updated	10/11/2014

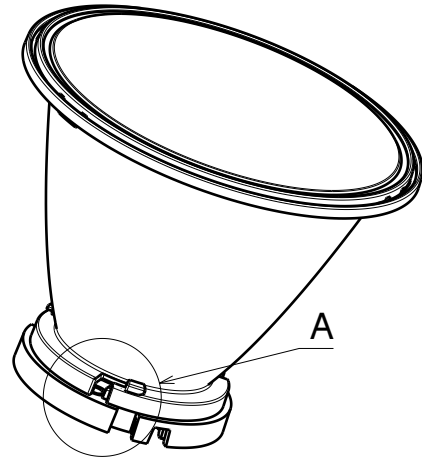
OPTICAL PROPERTIES

LED	Viewing Angle	Light Beam	Effi- ciency	cd/lm	Connector
CL-L340	22 deg	Medium	83 %	4.700	-

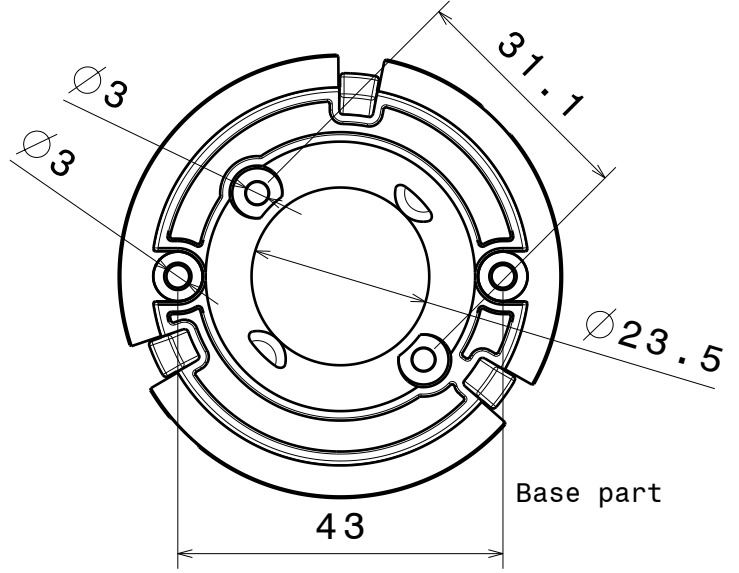


D C B A

4

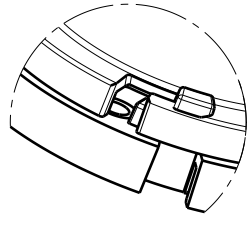


Isometric view



Base part

3

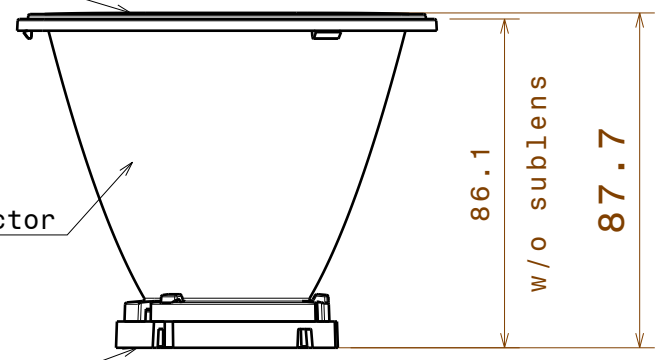


Detail A
Scale: 1:1

Lena sublens

Lena reflector

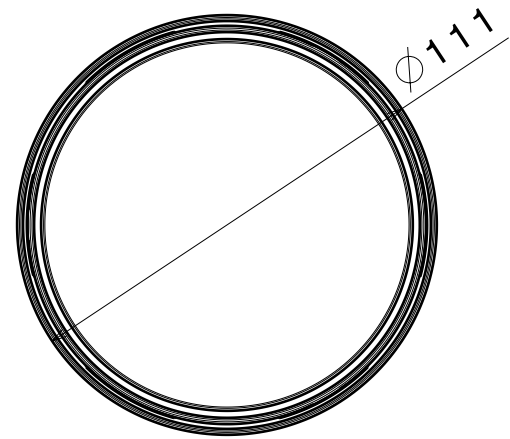
Lena-STD-base CL340



2

Material:

- subLens
 - PMMA
- Reflector
 - PC
 - Metal coating and clear lacquer
- Holder base
 - PC
 - Color white



4

3

2

1

This drawing is our property. It can't be reproduced or communicated without our written agreement.



DRAWING TITLE

Datasheet Lena-CL340 series Assy

DRAWN BY p	DATE 26.05.2011
CHECKED BY p	DATE 26.05.2011
DESIGNED BY pl	DATE 11.02.2011

SIZE A4	DRAWING NUMBER	REV 1
SCALE 1:2	WEIGHT (g)	SHEET 1/1

D A

NOTE: The typical divergence will be changed by different color, chip size and chip position tolerance. The typical total divergence is the full angle measured where the luminous intensity is half of the peak value.