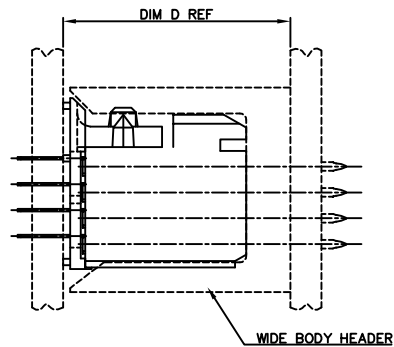
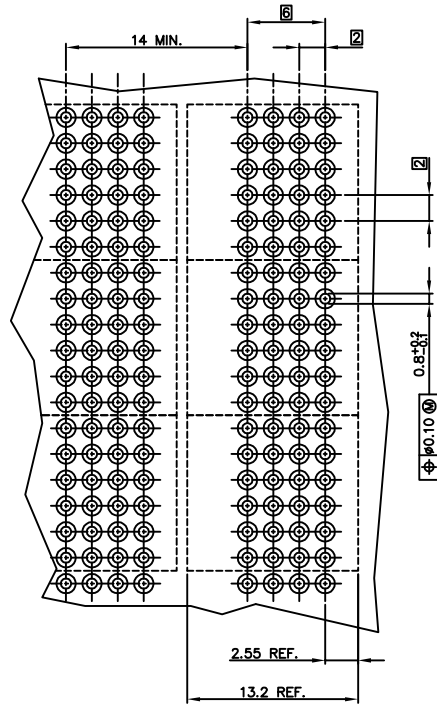
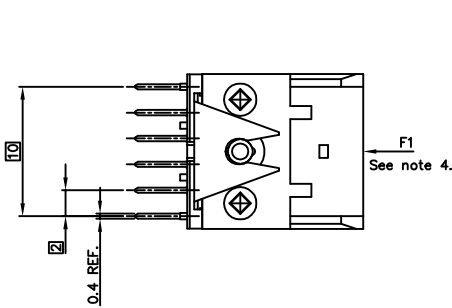
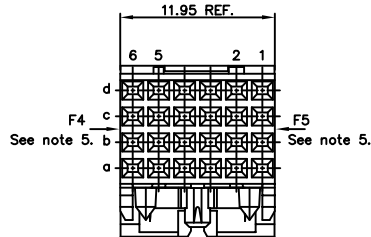
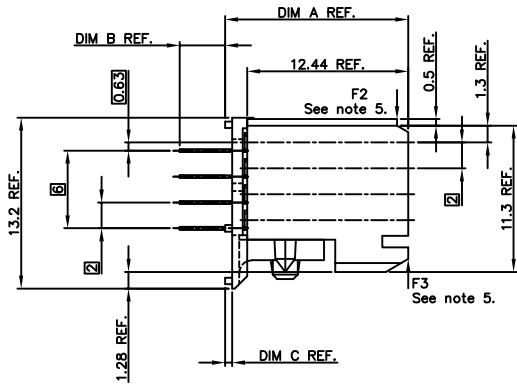


PLATING CONTACT AREA:		ERICSSON P/N
DASH NR:	PERFORMANCE LEVEL	SEE NOTE 7
-1YYLF	CUSTOMER SPECIAL	
-7YYLF	CUSTOMER SPECIAL	RNV 604 1111/1

DASH NR	CONFIGURATION					PCB THICKN.	DIM A	DIM B	DIM C	DIM D	
	ROW #	6	5	4	3						2
-X01LF	D	+	+	+	+	+	2.4	14.14	3.50	0.54	17.64
	C	+	+	+	+	+					
	B	+	+	+	+	+					
	A	+	+	+	+	+					

"+" POSITION LOADED



**NOTES:**

- BODY MAT'L: LIQUID CRYSTAL POLYMER 30% GLASS  
FLAME RETARDANT ACC. UL 94-V0
- TERMINAL MATERIAL: PHOSPHOR BRONZE.
- PLATING SOLDER TAILS 2-8 μm  
PURE Sn FOR LEAD FREE.
- LOAD IN THIS DIRECTION ( E.G. THROUGH CODING) 30 NEWTON MAXIMUM PER CONNECTOR.
- LOAD IN THIS DIRECTION 15 NEWTON MAXIMUM PER CONNECTOR.
- TO ENSURE PROPER ALIGNMENT OF MULTIPLE MODULES ON A BOARD THE USE OF A FIXTURE IS RECOMMENDED.
- PRODUCT MARKING: ERICSSON PARTNUMBER & BATCH I.D.
- THIS PRODUCT MEETS EUROPEAN UNION DIRECTIVES AND OTHER COUNTRY REGULATIONS AS DESCRIBED IN GS-22-008
- THE HOUSING WILL WITHSTAND EXPOSURE TO 260DEGREE PEAK TEMPERATURE FOR 10 SECONDS IN A WAVE SOLDER APPLICATION.

mat'l. code	tolerances unless otherwise specified	CUSTOMER COPY		<b>STR SIGN RCP</b> STR + WAFER 12mm product family METRAL (cm) code size dwg no <b>85698</b> sheet 1 of 1
lit. tech no	dr date	projection		
A H80210 (PHE) 980403	linear			
B H80380 (PHE) 980816				
C 0901-0101 (Clu) 0412281	03/05/02			
D 0901-0101 (Clu) 0412281	03/05/02	P. Hendriks	980403	
E 0208-0171 (TER) 01/10/08	01/10/08	W. van Aalst	980403	
F 0210-0201 (Cant) 7/20/10	07/20/10	W. van Aalst	980403	
sheet index	revision	scale	sheet	
1	F	5:1	A1	