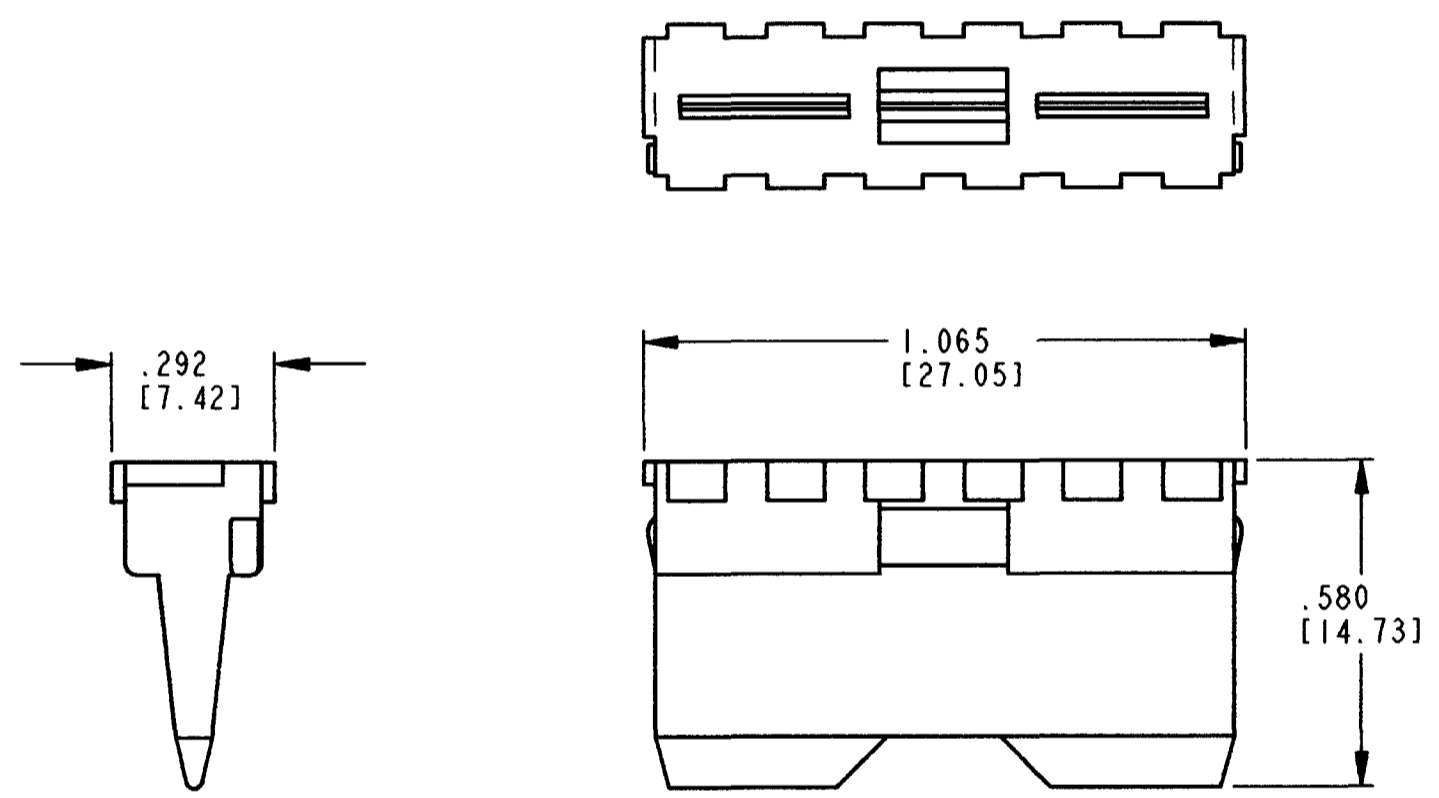


REV
B **W12P**

REVISIONS			
SYM	DESCRIPTION	DATE	APPROVED
NC	NEW RELEASE PER E.O. A09349	10/8/90	JA
A	REVISED PER E.O. P15887	2-15-99	RDR
B	REVISED PER E.O. P19120	12-16-05	RDR



- NOTES:
1. ALL DIMENSIONS ARE IN INCHES UNLESS OTHERWISE SPECIFIED.
 2. ALL DIMENSIONS +/- .025 [0.64] UNLESS OTHERWISE SPECIFIED.
 3. CONSULT FACTORY FOR APPLICATION.
 4. COLOR OF MATERIAL: GREEN.
 5. MATES WITH DT04-12P*-****.

SIGNATURE & DATE	
DR	C. WOODRUFF 04OCT90
CHK	<i>[Signature]</i> 12/16/05
PE	<i>[Signature]</i> 12/16/05
APPD	<i>[Signature]</i> 12-9-05
SCALE	NONE WT —

WEDGE LOCK
FOR
12 WAY RECEPTACLE
D.T. SERIES

ENVELOPE

CP	MATL. CODE
The Deutch Company DEUTSCH I. P. D. 3850 INDUSTRIAL AVE. HEMET, CALIF. 92545	
B	W12P
DWG SIZE	CODE 11139 SHEET OF